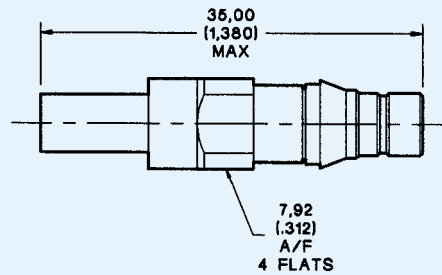


Teplock High Density DDF Cable Jacks

With QT™ Contact (packed in trays of 25)

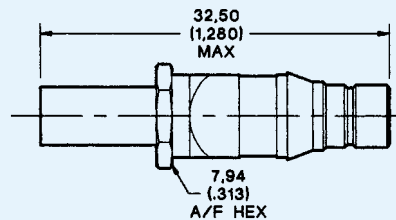
Part Number	Cable Numbers
W51-127-9929A9A	BT2003
W51-127-9909A9A	BT3002, TZC75024



Assembly Instruction BBAI-1238 (Page 138)

With Crimp Contact

Part Number	Cable Numbers
051-127-9929A90	BT2003
051-127-9909A90	BT3002, TZC75024
051-127-9919A90	RG179B/U, 187A/U



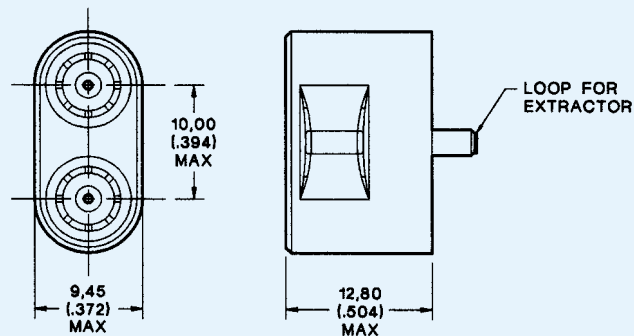
Assembly Instruction BBAI-1119 (Page 133)

SMZ

High Density Coaxial Links

Link

Part Number	BT Ref.
055-181-9129AZ0	LINK 10A



Test Port Link 30 dB

Part Number	BT Ref.
055-181-9139AZ0	LINK 10B

The Combination Extractor T4825 may be used for the removal of the above jacks and links. (See Page 140)

THE CONNECTORS ON THIS PAGE ARE SUITABLE FOR USE WITH MOUNTING BLOCK A0023351 OR OTHER HDC (HIGH DENSITY) DISTRIBUTION FRAMES.

