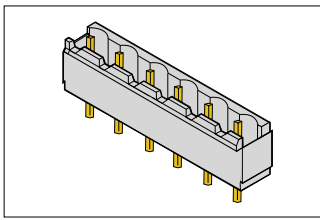


L 256 100 11 P.C.B. connectors

► Expert Range



Male socket.
Vertical closed socket.
Without loss of spacing.



Pin 1 x 1 x 3.7 mm
.039" x .039" x .145"
P.C.B. thickness ≤ 2.4 mm .094"
P.C.B. holes Ø 1.3 mm .051"
Body : UL94 V0 - PC
Grey □

Spacing 7.62 mm .300"

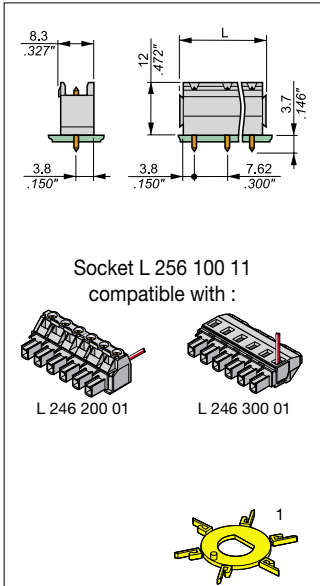
Ordering details

N. Poles	Weight kg	Packaging	L. mm	Order code
2	0.0010	100	15.24	1SSA 256 102 R1100
3	0.0015	100	22.86	1SSA 256 103 R1100
4	0.0020	100	30.48	1SSA 256 104 R1100
5	0.0025	100	38.10	1SSA 256 105 R1100
6	0.0030	50	45.72	1SSA 256 106 R1100

Other numbers of poles, consult us

Technical data

	IEC	UL	CSA
Wire size			
Screw			
	Solid wire		
	Stranded wire		
	With ferrule		
Rated voltage	380 V	300 V	300 V
Rated current	12 A	10 A	15 A
Short-circuit current			
Rated wire size / Gauge			
Storage temperature range	-20 ~ +80 °C		
Insulation resistance	≥ 10 ⁹ Ω		
Wire stripping length			
Recommended screwdriver			
Recommended torque			
Protection			



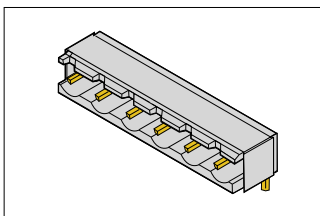
CE

Accessories

Rep.	Description	Type	Order code	Packaging	Weight kg
1	Coding peg		1SSA 299 085 R0600	50	0.0005

L 256 300 11 P.C.B. connectors

► Expert Range



Male socket.
Horizontal closed socket.
Without loss of spacing.



Pin 1 x 1 x 3.7 mm
.039" x .039" x .145"
P.C.B. thickness ≤ 2.4 mm .094"
P.C.B. holes Ø 1.3 mm .051"
Body : UL94 V0 - PC
Grey □

Spacing 7.62 mm .300"

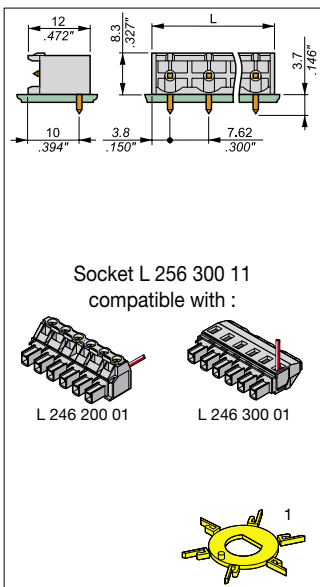
Ordering details

N. Poles	Weight kg	Packaging	L. mm	Order code
2	0.0010	100	15.24	1SSA 256 302 R1100
3	0.0015	100	22.86	1SSA 256 303 R1100
4	0.0020	100	30.48	1SSA 256 304 R1100
5	0.0025	100	38.10	1SSA 256 305 R1100
6	0.0030	50	45.72	1SSA 256 306 R1100

Other numbers of poles, consult us

Technical data

	IEC	UL	CSA
Wire size			
Screw			
	Solid wire		
	Stranded wire		
	With ferrule		
Rated voltage	380 V	300 V	300 V
Rated current	12 A	10 A	15 A
Short-circuit current			
Rated wire size / Gauge			
Storage temperature range	-20 ~ +80 °C		
Insulation resistance	≥ 10 ⁹ Ω		
Wire stripping length			
Recommended screwdriver			
Recommended torque			
Protection			



CE

Accessories

Rep.	Description	Type	Order code	Packaging	Weight kg
1	Coding peg		1SSA 299 085 R0600	50	0.0005