

XPS-2345MW-DXXXG

(RoHS Compliant)

10G Multirate / 40 km / 50 GHz DWDM XFP Single-Mode Optical Transceiver

FEATURES

- | Support 9.95 Gbps to 11.1 Gbps
- | Complaint with XFP MSA
- | Compliant with XFI 10G Serial Electrical Interface
- | **Maximum Link Length of 40 km**
- | **Temperature-stabilized DWDM EML Transmitter**
- | **50 GHz ITU Grid, C Band**
- | 2-Wire Interface for Integrated Digital Diagnostic Monitoring
- | XFI Loopback Mode
- | No reference Clock required
- | Power Dissipation < 3.5 W
- | Dual 5V and +3.3 V Power Supply
- | RoHS-6 Compliant
- | -5 to 70°C Case Operating Temperature

APPLICATIONS

- | DWDM Networks
- | SONET OC-192 IR-2
SDH STM S-64.2b
- | SONET OC-192 IR-3
SDH STM S-64.3b
- | OC-192/STM-64 with FEC
- | 10GBASE-ER/EW
- | 40 km 10G Fibre Channel
- | 10GBASE-ER/EW with FEC

LASER SAFETY

This single-mode transceiver is a Class 1 laser product. It complies with IEC-60825 and FDA 21 CFR 1040.10 and 1040.11. The transceiver must be operated within the specified temperature and voltage limits. The optical ports of the module shall be terminated with an optical connector or with a dust plug.

DESCRIPTION

XPS-2345MW-DXXXG series DWDM transceiver is designed for single-mode fibre serial optical data communications such as SONET OC-192 / SDH STM-64, 10G Ethernet 10GBASE-ER/EW and 10G Fibre Channel.

This module is designed for single mode fiber and operates at a nominal wavelength of 50GHz ITU Grid, C Band DWDM wavelength. The transmitter section consists of a temperature-stabilized DWDM electrical-modulated laser (EML), driver and signal conditioner. The receiver section incorporates a PIN photodiode integrated with a trans-impedance preamplifier (TIA) and signal conditioner.

The module is with the XFP 30-pin connector to allow hot plug capability. Integrated Tx and Rx signal conditioners provide high jitter-tolerance for full XFI compliance and no external reference clock required. The internally ac coupled high speed serial I/O simplifies interfacing to external circuitry. Dual 5V and 3.3V power supply are used. The optical output can be disabled by LVTTTL logic high-level input of TX_DIS. Loss of signal (RX_LOS) output is provided to indicate the loss of an input optical signal of receiver.

A serial EEPROM in the transceiver allows the user to access transceiver digital diagnostic monitoring and configuration data via the 2-wire XFP Management Interface. This interface uses a single address, A0h, with a memory map divided into a lower and upper area. Basic digital diagnostic data is held in the lower area while specific data is held in a series of tables in the high memory area.

ORDER INFORMATION

P/No.	Bit Rate (Gb/s)	10G	Distance (km)	Spacing (GHz)	Wavelength (nm)	Package	Case Temp (°C)	RoHS Compliant
XPS-2345MW-DXXXG	10G Multirate*	ER / EW	40	50	DWDM*	XFP with DMI	-5 to 70	Yes

*: multirate for SONET OC-192 IR2, OC-192 IR-3, 10GBASE-ER/EW, 10G Fibre Channel, ITU-T G.709, 10GBASE-ER/EW + FEC.

*: XXX: 50GHz ITU Grid wavelength (Please see below)

Channel #	Product code	Frequency (THz)	Center Wavelength (nm)	Label
200	XPS-2345MW-D200G	192.00	1561.42	200
205	XPS-2345MW-D205G	192.05	1561.01	205
210	XPS-2345MW-D210G	192.10	1560.61	210
215	XPS-2345MW-D215G	192.15	1560.20	215
220	XPS-2345MW-D220G	192.20	1559.79	220
225	XPS-2345MW-D225G	192.25	1559.39	225
230	XPS-2345MW-D230G	192.30	1558.98	230
235	XPS-2345MW-D235G	192.35	1558.58	235
240	XPS-2345MW-D240G	192.40	1558.17	240
245	XPS-2345MW-D245G	192.45	1557.77	245
250	XPS-2345MW-D250G	192.50	1557.36	250
255	XPS-2345MW-D255G	192.55	1556.96	255
260	XPS-2345MW-D260G	192.60	1556.55	260
265	XPS-2345MW-D265G	192.65	1556.15	265
270	XPS-2345MW-D270G	192.70	1555.75	270
275	XPS-2345MW-D275G	192.75	1555.34	275
280	XPS-2345MW-D280G	192.80	1554.94	280
285	XPS-2345MW-D285G	192.85	1554.54	285
290	XPS-2345MW-D290G	192.90	1554.13	290
295	XPS-2345MW-D295G	192.95	1553.73	295
300	XPS-2345MW-D300G	193.00	1553.33	300
305	XPS-2345MW-D305G	193.05	1552.93	305
310	XPS-2345MW-D310G	193.10	1552.52	310
315	XPS-2345MW-D315G	193.15	1552.12	315
320	XPS-2345MW-D320G	193.20	1551.72	320
325	XPS-2345MW-D325G	193.25	1551.32	325
330	XPS-2345MW-D330G	193.30	1550.92	330
335	XPS-2345MW-D335G	193.35	1550.52	335
340	XPS-2345MW-D340G	193.40	1550.12	340
345	XPS-2345MW-D345G	193.45	1549.72	345
350	XPS-2345MW-D350G	193.50	1549.32	350
355	XPS-2345MW-D355G	193.55	1548.91	355
360	XPS-2345MW-D360G	193.60	1548.51	360
365	XPS-2345MW-D365G	193.65	1548.11	365
370	XPS-2345MW-D370G	193.70	1547.72	370
375	XPS-2345MW-D375G	193.75	1547.32	375
380	XPS-2345MW-D380G	193.80	1546.92	380
385	XPS-2345MW-D385G	193.85	1546.52	385
390	XPS-2345MW-D390G	193.90	1546.12	390
395	XPS-2345MW-D395G	193.95	1545.72	395
400	XPS-2345MW-D400G	194.00	1545.32	400
405	XPS-2345MW-D405G	194.05	1544.92	405
410	XPS-2345MW-D410G	194.10	1544.53	410
415	XPS-2345MW-D415G	194.15	1544.13	415
420	XPS-2345MW-D420G	194.20	1543.73	420
425	XPS-2345MW-D425G	194.25	1543.33	425
430	XPS-2345MW-D430G	194.30	1542.94	430
435	XPS-2345MW-D435G	194.35	1542.54	435
440	XPS-2345MW-D440G	194.40	1542.14	440
445	XPS-2345MW-D445G	194.45	1541.75	445

Channel #	Product code	Frequency (THz)	Center Wavelength (nm)	Label
450	XPS-2345MW-D450G	194.50	1541.35	450
455	XPS-2345MW-D455G	194.55	1540.95	455
460	XPS-2345MW-D460G	194.60	1540.56	460
465	XPS-2345MW-D465G	194.65	1540.56	465
470	XPS-2345MW-D470G	194.70	1539.77	470
475	XPS-2345MW-D475G	194.75	1539.37	475
480	XPS-2345MW-D480G	194.80	1538.98	480
485	XPS-2345MW-D485G	194.85	1538.58	485
490	XPS-2345MW-D490G	194.90	1538.19	490
495	XPS-2345MW-D495G	194.95	1537.79	495
500	XPS-2345MW-D500G	195.00	1537.40	500
505	XPS-2345MW-D505G	195.05	1537.00	505
510	XPS-2345MW-D510G	195.10	1536.61	510
515	XPS-2345MW-D515G	195.15	1536.22	515
520	XPS-2345MW-D520G	195.20	1535.82	520
525	XPS-2345MW-D525G	195.25	1535.43	525
530	XPS-2345MW-D530G	195.30	1535.04	530
535	XPS-2345MW-D535G	195.35	1534.64	535
540	XPS-2345MW-D540G	195.40	1534.25	540
545	XPS-2345MW-D545G	195.45	1533.86	545
550	XPS-2345MW-D550G	195.50	1533.47	550
555	XPS-2345MW-D555G	195.55	1533.07	555
560	XPS-2345MW-D560G	195.60	1532.68	560
565	XPS-2345MW-D565G	195.65	1532.29	565
570	XPS-2345MW-D570G	195.70	1531.90	570
575	XPS-2345MW-D575G	195.75	1531.51	575
580	XPS-2345MW-D580G	195.80	1531.12	580
585	XPS-2345MW-D585G	195.85	1530.72	585
590	XPS-2345MW-D590G	195.90	1530.33	590
595	XPS-2345MW-D595G	195.95	1529.94	595
600	XPS-2345MW-D600G	196.00	1529.55	600

Absolute Maximum Ratings					
Parameter	Symbol	Min	Max	Units	Notes
Storage Temperature	Tstg	-40	85	°C	
Operating Case Temperature	Topr	-5	70	°C	
Relative Humidity	RH	0	85	%	Non condensing
Power Supply Voltage (5V)	Vcc5	-0.5	6.0	V	
Power Supply Voltage (3.3V)	Vcc3	-0.5	3.6	V	
Receiver Input Optical Power	Mip		4	dBm	Received average power

Recommended Operating Conditions					
Parameter	Symbol	Min	Typ	Max	Units / Notes
Power Supply Voltage (5V)	Vcc5	4.75	5	5.25	V
Power Supply Voltage (3.3V)	Vcc3	3.13	3.3	3.47	V
Power Supply Current (@5V)	Icc5			300	mA / 1
Power Supply Current (@3.3V)	Icc3			750	mA / 1
Power Dissipation	P _D			3.5	W
Operating Case Temperature	Topr	-5		70	°C
Data Rate		9.95		11.1	Gb/s

1. Including in rush current. Maximum module current ramp rate is 100 mA/μs.

Transmitter Optical Specifications (Topr= -5 to 70°C, Vcc5=5V±5%, Vcc3 = 3.3V ±5%)						
Parameter	Symbol	Min	Typ	Max	Units	Notes
Average Launch Power	P _{O, Avg}	-1		+2	dBm	2
Optical Modulation Amplitude	P _{O, MOA}	-1.7			dBm	2
Extinction Ratio	ER	8.2			dB	
Center Wavelength Spacing			50		GHz	
Transmitter Center Wavelength -- over life time	λ _c	X-100	X	X+100	pm	3
Output Spectrum Width	σ _λ			1	nm	-20 dB width
Side Mode Suppression Ratio	SMSR	30			dB	
Transmitter and Dispersion Penalty @ 800 ps/nm	TDP			2	dB	
Relative Intensity Noise	RIN			-130	dB/Hz	
Eye Mask 1		IEEE 802.3ae				10G Ethernet
Eye Mask 2		GR-253-CORE / ITU-T G.691				10G SONET
Average Launch Power of OFF Transmitter				-30	dBm	

2. Output power is power coupled into a 9/125 μm single-mode fiber.

3. X = specified ITU Grid wavelength. Wavelength stability is achieved within 60 seconds of power up.

Receiver Optical Specifications (Topr= -5 to 70°C, Vcc5=5V±5%, Vcc3 = 3.3V ±5%)						
Parameter	Symbol	Min	Typ	Max	Units	Notes
Sensitivity@ 9.95 to 10.7 Gb/s	Sen1			-16	dBm	4
Stressed Receiver Sensitivity, OMA	Sen2			-11.3	dBm	
Receiver Overload	P _{MAX}	-1	---		dBm	
LOS -- Deasserted	LOS _D	---	---	-22	dBm	Transition: low to high
LOS -- Asserted	LOS _A	-28	---	---	dBm	Transition: high to low
LOS -- Hysteresis		0.5	---		dB	
Wavelength of Operation	λ _c	1260		1600	nm	
Optical Return Loss	ORL			-27	dB	

4. Measured with worst ER; BER < 10⁻¹² and PRBS 2³¹-1. Equivalent to -14.3 dBm OMA at ER=8.2 dB.

Electrical Characteristics						
Parameter	Symbol	Min	Typ	Max	Units	Notes
High-Speed Signal (CML) Interface Specification						
Input Data Rate		9.95	10.3125	11.1	Gb/s	6
Differential Input Impedance	R _{in}		100		Ω	
Differential Data Input Amplitude		120		820	mV _{pp}	7, Internally AC coupled
Output Data Rate		9.95	10.3125	11.1	Gb/s	6
Differential Output Impedance	R _{out}		100		Ω	
Differential Data Output Amplitude		340	650	850	mV _{pp}	7, Internally AC coupled
Low-Speed Signal (LVTTTL) Interface Specification						
Input High Voltage		2.0		V _{cc}	V	
Input Low Voltage		GND		0.8	V	
Output High Voltage		2.4		V _{cc}	V	
Output Low Voltage		GND		0.5	V	
Reference Clock (LVPECL) Interface Specification						
No reference clock required.						

6. 10GBASE-ER/EW and 10G Fibre Channel.

7. The differential input and output amplitudes are per XFP MSA mask at points B' and C'.

Transceiver Timing Characteristics						
Parameter	Symbol	Min	Typ	Max	Units	Notes
TX_DIS Assert Time	t _{off}			10	μs	
TX_DIS Negate Time	t _{on}			2	ms	
Time to Initialize	t _{init}			300	ms	
Interrupt Assert Delay	interrupt _{on}			200	ms	
Interrupt Negate Delay	interrupt _{off}			500	μs	
P_Down/PST Assert Delay	P_Down/RST _{on}			100	μs	
P_Down Negate Delay	P_Down/RST _{off}			300	ms	
Mod_NR Assert Delay	Mod_nr _{on}			1	ms	
Mod_NR Negate Delay	Mod_nr _{off}			1	ms	
Mod_Desel Assert Time	T_Mod_Desel			2	ms	
Mod_Desel De-Assert Time	T_Mod_Sel			2	ms	
P_Down Reset Time	T _{reset}	10			μs	
RX_LOS Assert Delay	T _{Los_{on}}			100	μs	
RX_LOS Negate Delay	T _{Los_{off}}			100	μs	
Serial ID Clock Rate	f _{SCL}	0		400	kHz	

MANAGEMENT INTERFACE

The structure of the memory map is shown in Figure 1, which is accessible over a 2-wire serial interface at the 8-bit address 1010000X (A0h). The normal 256 byte I2C address space is divided into low and upper blocks of 128 Bytes. The lower block of 128 Bytes is always directly available and is used for the diagnostics and control function. Multiple blocks of memories are available in the upper 128 Bytes of the address space. These are individually addressed through a table select Byte which the user enters into a location in the lower address space. Thus, there is a total available address space of 128*256 = 32 Kbytes in this upper memory space. The contents of Table 01h are listed in Table 1 below. Please refer SFF INF-8077i (Revision 4.5) for detailed information.

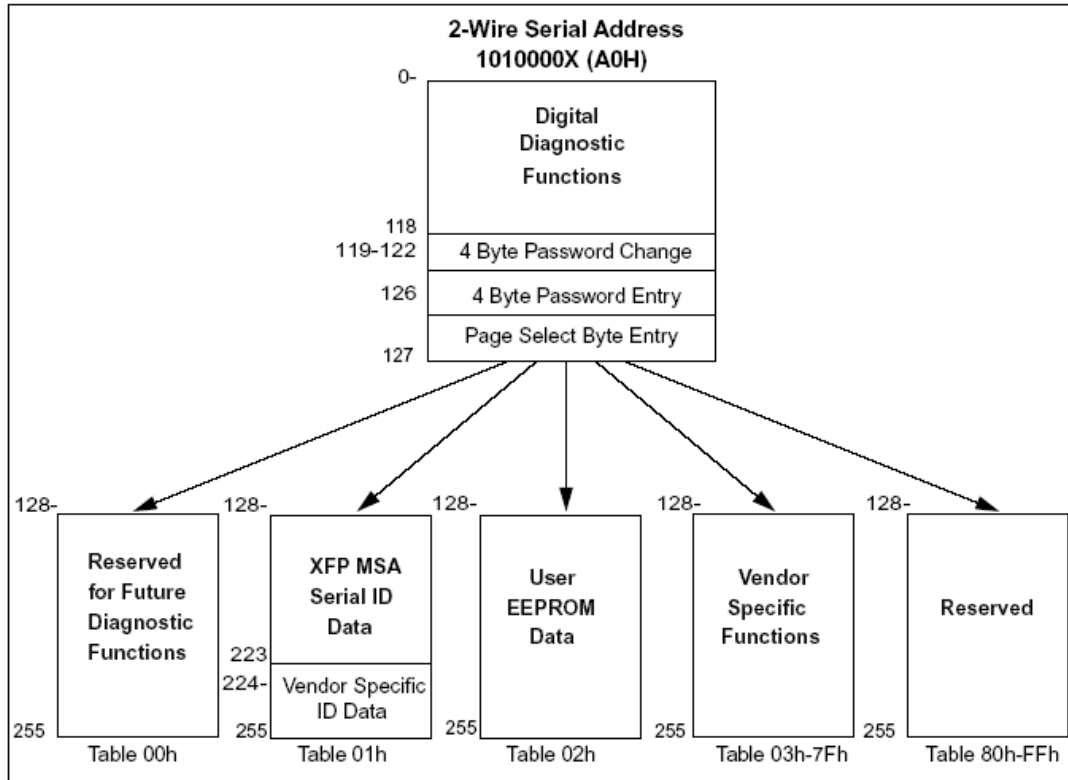


Figure 1. 2-wire Serial Digital Diagnostic Memory Map

Table 1 Monitoring Specification

Data Address	Parameter	Accuracy
96 ~ 97	Temperature	± 3°C
98 ~ 99	Reserved	
100 ~ 101	Tx Bias	± 10%
102 ~ 103	Tx Power	± 2dB
104 ~ 105	Rx Power	± 2dB
106 ~ 107	Vcc3	± 3%

CONNECTION DIAGRAM

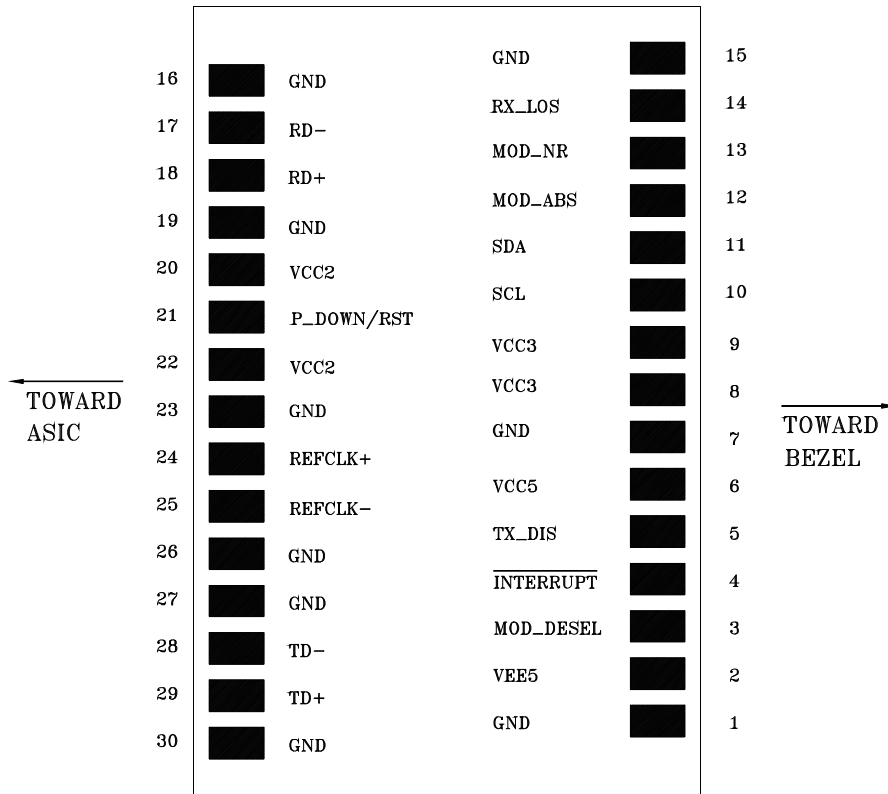


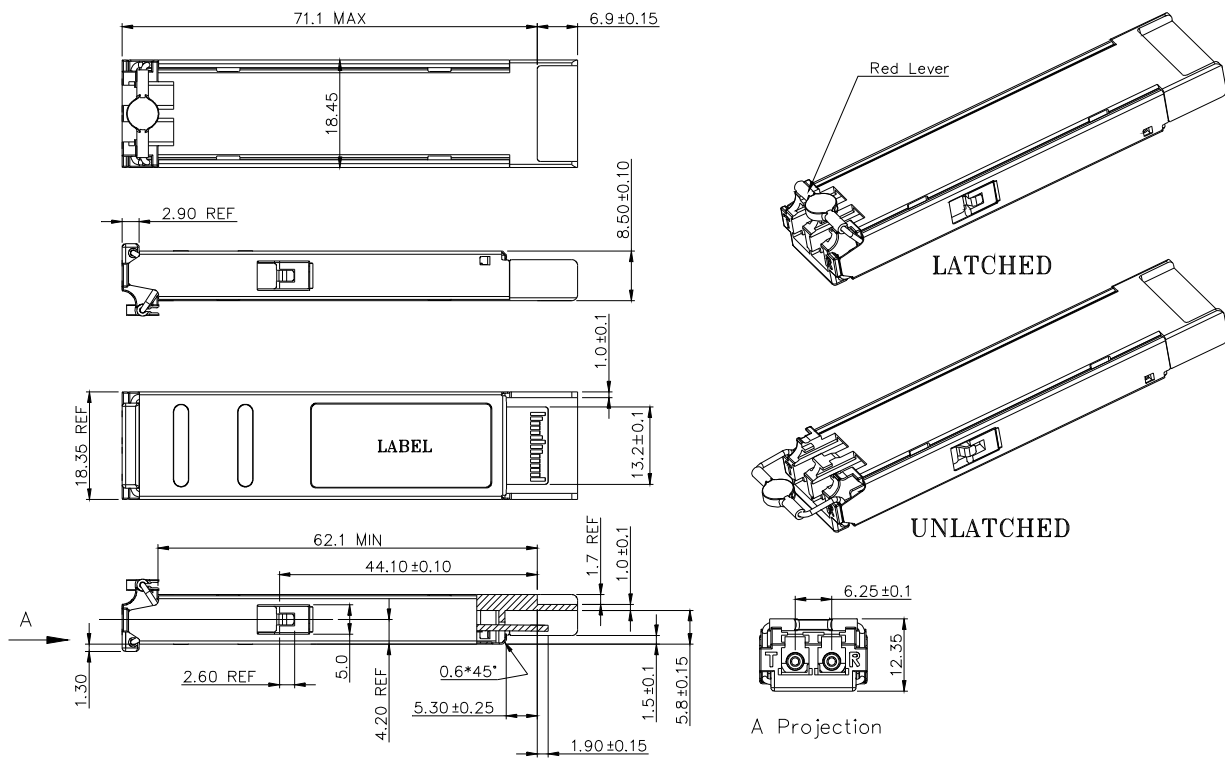
Table 3 PIN Description

PIN	Logic	Signal Name	Description	Note
1		GND	Module Ground	1
2		VEE5	-5.2V Power Supply (Not required)	3
3	LVTTL-I	Mod_Desel	Module De-select; When held low allows module to respond to 2-wire serial interface	
4	LVTTL-O	Interrupt	Interrupt; Indicates presence of an important condition which can be read over the 2-wire serial interface	2
5	LVTTL-I	TX_DIS	Transmitter Disable; Turns off transmitter laser output	
6		VCC5	+5V Power Supply	3
7		GND	Module Ground	1
8		VCC3	+3.3V Power Supply	
9		VCC3	+3.3V Power Supply	
10	LVTTL-I/O	SCL	Serial 2-wire interface clock	2
11	LVTTL-I/O	SDA	Serial 2-wire interface data line	2
12	LVTTL-O	Mod_Abs	Indicates Module is not present. Grounded in the Module	2
13	LVTTL-O	Mod_NR	Module Not Ready; Indicating Module Operational Fault	2
14	LVTTL-O	RX_LOS	Receiver Loss Of Signal Indicator	2
15		GND	Module Ground	1
16		GND	Module Ground	1
17	CML-O	RD-	Receiver Inverted Data Output	
18	CML-O	RD+	Receiver Non-Inverted Data Output	
19		GND	Module Ground	1
20		VCC2	+1.8V Power Supply (Not required)	3

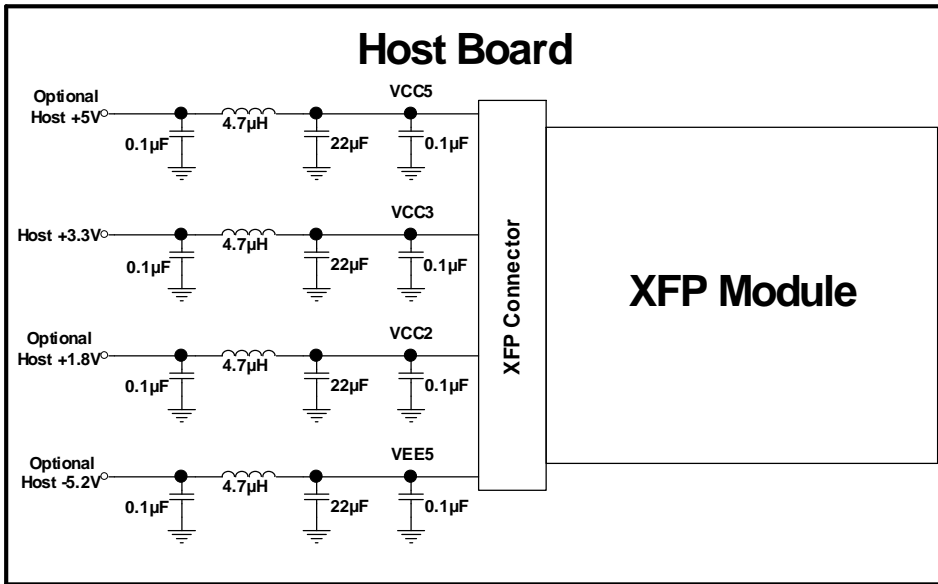
21	LVTTL-I	P_Down/RST	Power down; When high, requires the module to limit power consumption to 1.5W or below. 2-Wire serial interface must be functional in the low power mode. Reset; The falling edge initiates a complete reset of the module including the 2-wire serial interface, equivalent to a power cycle.	
22		VCC2	+1.8V Power Supply (Not required)	3
23		GND	Module Ground	1
24	PECL-I	RefCLK+	Reference Clock Non-Inverted Input, AC coupled on the host board. (Not used. Internally terminated to 50 ohm (100 ohm diff.))	4
25	PECL-I	RefCLK-	Reference Clock Inverted Input, AC coupled on the host board. (Not used. Internally terminated to 50 ohm (100 ohm diff.))	4
26		GND	Module Ground	1
27		GND	Module Ground	1
28	CML-I	TD-	Transmitter Inverted Data Input	
29	CML-I	TD+	Transmitter Non-Inverted Data Input	
30		GND	Module Ground	1

1. Module ground pins GND are isolated from the module case and chassis ground within the module.
2. Shall be pulled up with 4.7K-10Kohms to a voltage between 3.15V and 3.45V on the host board.
3. These PINs are open within module.
4. A Reference Clock input is not required. If present, it will be ignored.

MECHANICAL SPECIFICATION (UNITS IN MM)



RECOMMENDED POWER CIRCUIT SCHEMATIC



RECOMMENDED INTERFACE CIRCUIT

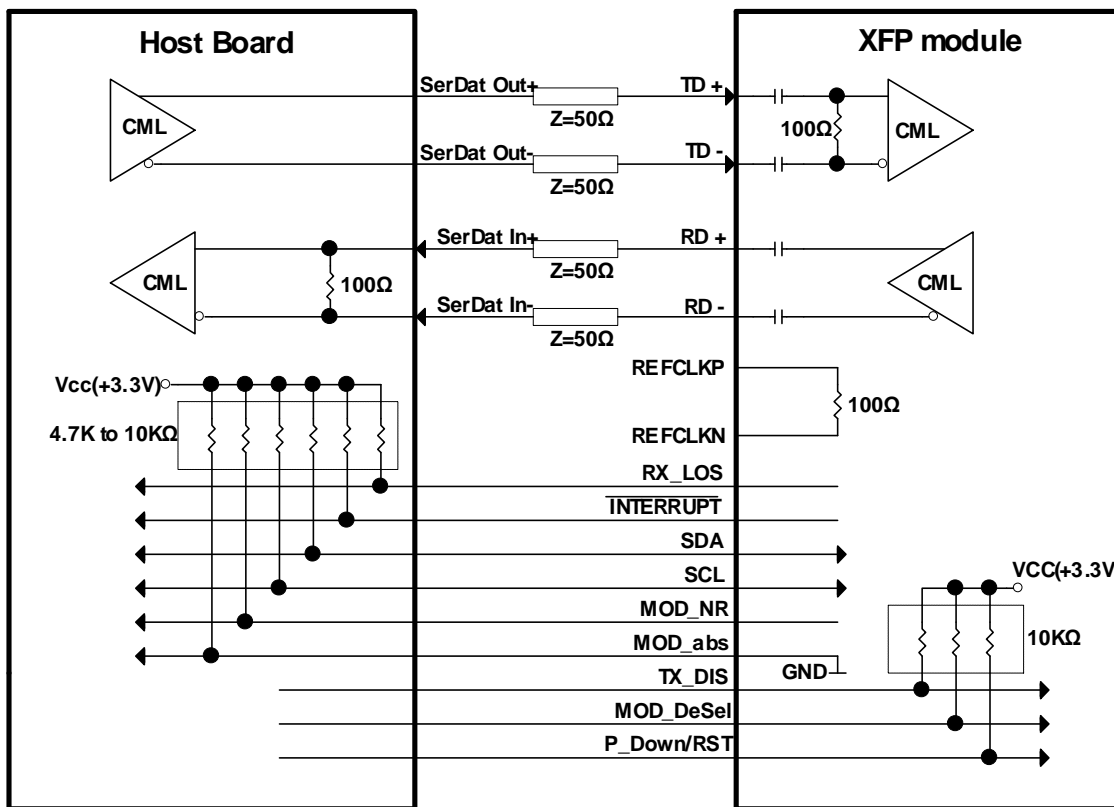


Table 2 Serial ID Memory Contents (Table 01h)

Address	Field Size (Byte)	Name of Filed	Description	Hex
128	1	Identifier	XFP	06
129	1	Ext. Identifier	power consumption < 3.5W, no Ref Colck required	90
130	1	Connector type	LC connector	07
131~138	8	Transceiver	10GBASE-ER/EW, 10GFC 1200-SM-LL-L 10G SONET/SDH S-64.2b/S-64.3b	22 40 00 00 00 28 00 00
139	1	Encoding	64B/66B, 8B10B, SONET Scrambled & NRZ	F0
140	1	BR-Min	9.9Gbps	63
141	1	BR-Max	11.1Gbps	6F
142	1	length (SMF)-Km	40 Km	28
143	1	Length (E-50µm)	0 m	00
144	1	Length (50 µm)	0 m	00
145	1	Length (62.5 µm)	0 m	00
146	1	Length (Copper)	0 m	00
147	1	Device Tech	DWDM EML, PIN detector	74
148~163	16	Vendor name	OPTOWAY	4F 50 54 4F 57 41 59 20 20 20 20 20 20 20 20 20
164	1	CDR Support	CDR supports 9.953G ~ 11.1G & XFI Loopback	F9
165~167	3	Vendor OUI		00 0E FA
168~183	16	Vendor PN	XPS-2345MW-DXXXG	58 50 53 2D 32 33 34 35 4D 57 2D 44 3X 3X 3X 47
184~185	2	Vendor rev	ASCII ("31 61" means 1a revision)	xx xx
186~187	2	Wavelength	1XXX.XXnm	xx xx
188~189	2	Wavelength Tolerance	+/- 0.1nm	00 14
190	1	Max Case Temp	70deg	46
191	1	CC_BASE	Check sum of Byte 128 -- 190	
192~195	4	Power Supply	3.5 Wmax, 1.5W pd_max , 750mA 3.3V, 500 mA 5V	AF 96 A8 00
196~211	16	Vendor SN	ASCII	xx xx xx xx xx xx xx xx xx xx xx xx xx xx xx xx
212~219	8	Date code	ASCII Year (2 Byte), Month (2 Byte), Day (2 Byte)	xx xx xx xx xx xx 20 20
220	1	Diagnostic Monitoring Type	No BER Support, Average Power	08
221	1	Enhanced Options	Optional Soft TX_DISABLE implemented, Optional Soft P_down implemented	60
222	1	Aux Monitoring	AUX1 for Vcc3, AUX2 for Vcc5.	76
223	1	CC_EXT	Check sum of Byte 192 -- 222	
224~255	32	Vendor Specific		Reserved

Note: Specifications subject to change without notice.

REVISION HISTORY

Version	Subject	Release Date
1.0	Initial datasheet	2010/7/1