

# Token Ring Transceiver Module

## EPT7084G

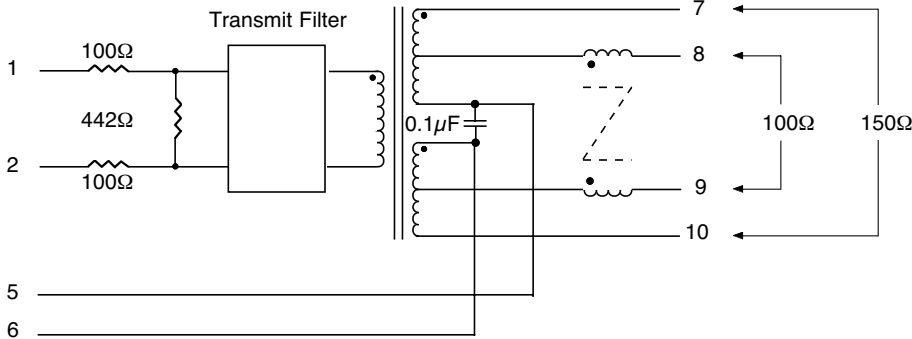
- Designed for interface with TI380C60 •
- Supports both STP and UTP Transmission •
- Complies with or exceeds IEEE 802.5 Requirements •

### Electrical Parameters @ 25° C

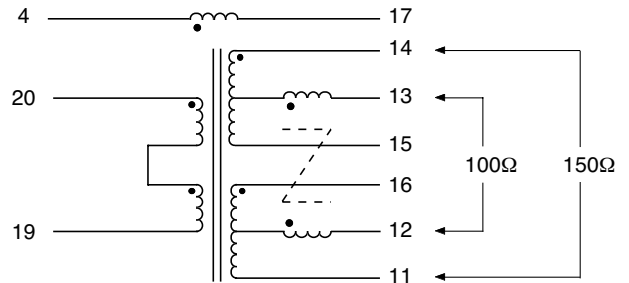
Impedance ( $\Omega$ ) [Xmit/Rcv]	Insertion Loss (dB)						Return Loss (dB Min.)						Common Mode Rejection (dB Min.)						Crosstalk (dB Min.)			
	1-16 MHz		32 MHz		36 MHz		1-6 MHz		6-17 MHz		17-25 MHz		1 MHz		5-20 MHz		7-100 MHz			200 MHz		1-30 MHz
<b>Chip Side</b> 150	(Max.)		(Min.)	(Max.)	(Min.)	(Max.)																
<b>Cable Side</b>	Xmit	Rcv	Xmit	Rcv	Xmit	Rcv	Xmit	Rcv	Xmit	Rcv	Xmit	Rcv	Xmit	Rcv	Xmit	Rcv	Xmit	Rcv	Xmit	Rcv	Xmit	Rcv
100/150	-8	-1	-7	-1	-25	-1	-14	-23	-12	-20	-8	-17	-45	-45	-30	-30	-20	-20	-20	-20	-20	-40

• Isolation: 500Vrms • L1 Inductance: 39 $\mu$ H Min. •

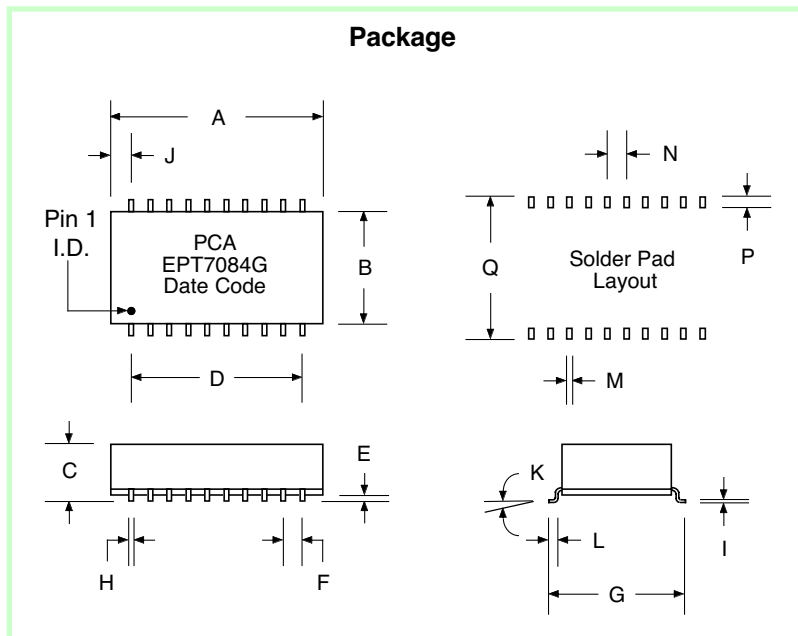
### Schematic



### L1



### Package



### Dimensions

Dim.	(Inches)			(Millimeters)		
	Min.	Max.	Nom.	Min.	Max.	Nom.
A	1.05	1.15	1.10	26.67	29.21	27.90
B	.570	.590	.580	14.48	14.99	14.73
C	.290	.310	.300	7.37	7.87	7.62
D	---	---	.900	---	---	22.86
E	.010	.020	.015	.254	.508	.381
F	---	---	.100	---	---	2.54
G	.690	.710	.700	17.53	18.03	17.78
H	.016	.022	.020	.406	.559	.508
I	.008	.012	.010	.203	.305	.254
J	---	---	.100	---	---	2.54
K	0°	8°	---	0°	8°	---
L	.025	.045	.035	.635	1.14	.889
M	---	---	.030	---	---	.762
N	---	---	.100	---	---	2.54
P	---	---	.055	---	---	1.40
Q	---	---	.740	---	---	18.80