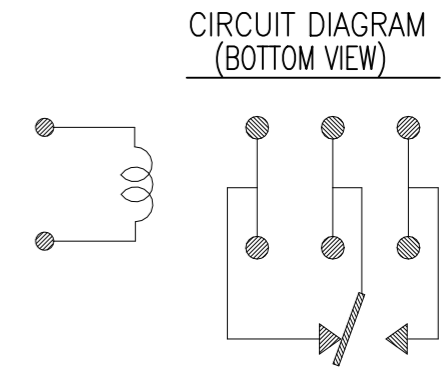
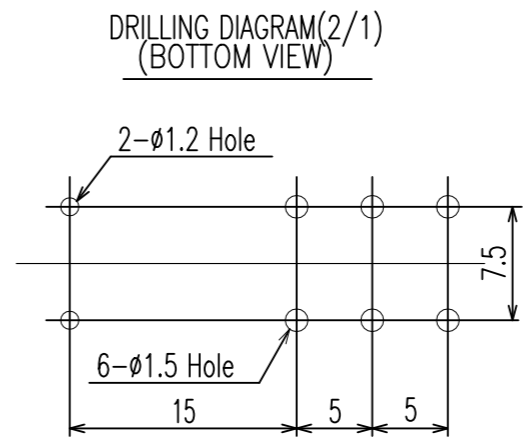
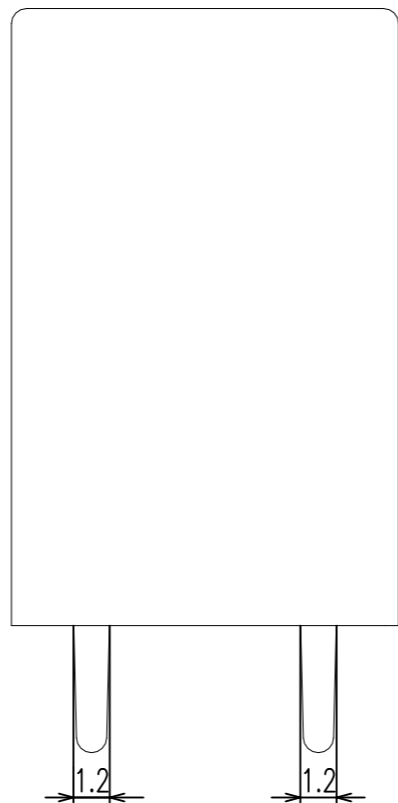
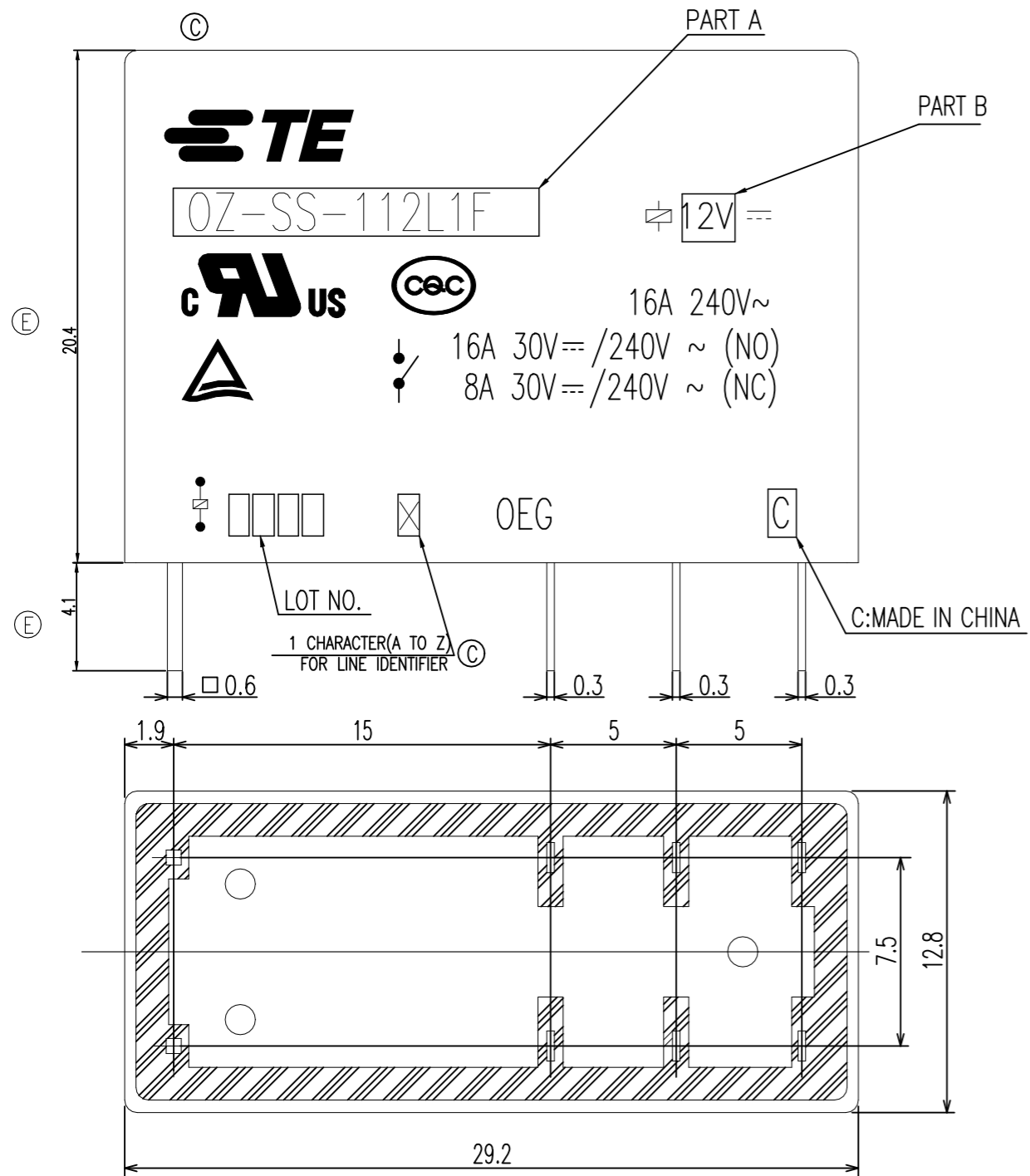
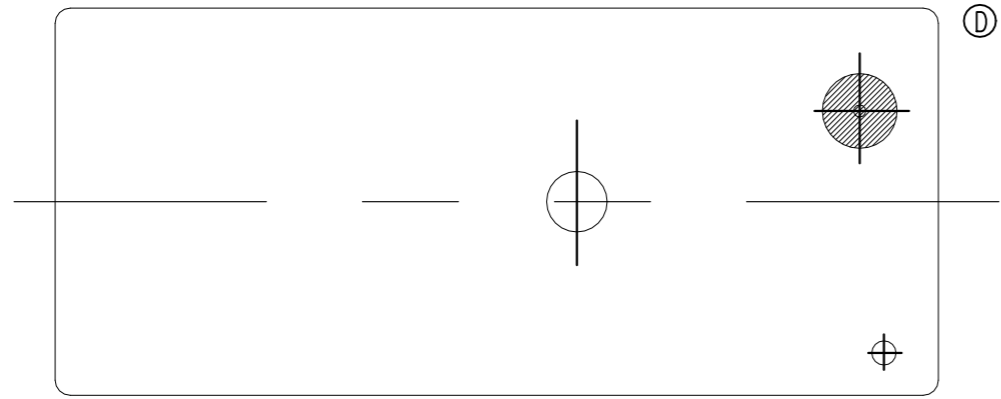


REVISIONS

P	LTR	DESCRIPTION	DATE	DWN	APVD
E		DIMENSION CHANGE	ECO-21-004260	10-JUN-21	XR.L K.T



THIS DRAWING IS A CONTROLLED DOCUMENT.		DWN N.FUNAYAMA	TE Connectivity OZ CUSTOMER DRAWING		
DIMENSIONS: mm		CHK T.FUKAYA			
TOLERANCES UNLESS OTHERWISE SPECIFIED:		APVD MJ.HO	NAME		
0 PLC ± -		PRODUCT SPEC	-		
1 PLC ± -		APPLICATION SPEC	-		
2 PLC ± -		WEIGHT	SIZE	CAGE CODE	DRAWING NO
3 PLC ± -		-	A3	00779	C-1649399
4 PLC ± -			RESTRICTED TO	-	
ANGLES ± -		FINISH	CUSTOMER DRAWING		
MATERIAL		SCALE 1:1			SHEET 1 OF 2
-		REV E			

REVISIONS

P	LTR	DESCRIPTION	DATE	DWN	APVD
-	-	SEE SHEET 1	-	-	-

NOTES:
1.LOT NO. SYSTEM AS FOLLOWING:

0 8 2 5
 WEEK
 YEAR

2.GENERAL TOLERANCE AS FOLLOWING:

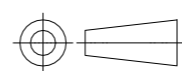
TOLERANCE	
0~0.99mm	±0.1
1mm~2.99mm	±0.2
3mm MIN.	±0.3

3.TERMINAL DIMENSION IS NOT INCLUDING SOLDER TIP.

④ 4.FOR THE TIN-PLATING OF THE PINS:
+0.1mm FOR WIDTH,THICKNESS AND DIAMETER.
+0.5mm FOR LENGTH.

3-1649399-0	OZ-SH-148D1	48V	OZ-SH-148D1
2-1649399-9	OZ-SH-124D1	24V	OZ-SH-124D1
2-1649399-8	OZ-SH-118D1	18V	OZ-SH-118D1
2-1649399-7	OZ-SH-112D1	12V	OZ-SH-112D1
2-1649399-6	OZ-SH-109D1	9V	OZ-SH-109D1
2-1649399-5	OZ-SH-106D1	6V	OZ-SH-106D1
2-1649399-4	OZ-SH-105D1	5V	OZ-SH-105D1
2-1649399-3	OZ-SS-148D1	48V	OZ-SS-148D1
2-1649399-2	OZ-SS-124D1	24V	OZ-SS-124D1
2-1649399-1	OZ-SS-118D1	18V	OZ-SS-118D1
2-1649399-0	OZ-SS-112D1	12V	OZ-SS-112D1
1-1649399-9	OZ-SS-109D1	9V	OZ-SS-109D1
1-1649399-8	OZ-SS-106D1	6V	OZ-SS-106D1
1-1649399-7	OZ-SS-105D1	5V	OZ-SS-105D1
1-1649399-6	OZ-SH-148L1	48V	OZ-SH-148L1
1-1649399-5	OZ-SH-136L1	36V	OZ-SH-136L1
1-1649399-4	OZ-SH-124L1	24V	OZ-SH-124L1
1-1649399-3	OZ-SH-118L1	18V	OZ-SH-118L1
1-1649399-2	OZ-SH-112L1	12V	OZ-SH-112L1
1-1649399-1	OZ-SH-109L1	9V	OZ-SH-109L1
1-1649399-0	OZ-SH-106L1	6V	OZ-SH-106L1
1649399-9	OZ-SH-105L1	5V	OZ-SH-105L1
1649399-8	OZ-SS-148L1	48V	OZ-SS-148L1
1649399-7	OZ-SS-136L1	36V	OZ-SS-136L1
1649399-6	OZ-SS-124L1	24V	OZ-SS-124L1
1649399-5	OZ-SS-118L1	18V	OZ-SS-118L1
1649399-4	OZ-SS-112L1	12V	OZ-SS-112L1
1649399-3	OZ-SS-109L1	9V	OZ-SS-109L1
1649399-2	OZ-SS-106L1	6V	OZ-SS-106L1
1649399-1	OZ-SS-105L1	5V	OZ-SS-105L1
PART NO	EC TYPE NAME	PART B	PART A

RELAY TYPE



0 PLC ± -
 1 PLC ± -
 2 PLC ± -
 3 PLC ± -
 4 PLC ± -
 ANGLES ± -

THIS DRAWING IS A CONTROLLED DOCUMENT.

DWN N.FUNAYAMA 10JUN2021

CHK T.FUKAYA

APVD MJ.HO

PRODUCT SPEC

APPLICATION SPEC

WEIGHT -

CUSTOMER DRAWING



NAME

OZ CUSTOMER DRAWING

SIZE

CAGE CODE

DRAWING NO

RESTRICTED TO

A3 00779

C-1649399

SCALE 1:1

SHEET 2 OF 2

REV E

Mouser Electronics

Authorized Distributor

Click to View Pricing, Inventory, Delivery & Lifecycle Information:

[TE Connectivity:](#)

[1649399-6](#)