

Euro Terminal Blocks 5LE Series

The Augat low profile 5LE Series Terminal Blocks incorporate an elevator wire clamp with a wire guard to ensure reliable termination.

FEATURES

- Superior elevator wire-clamp with wire guard
- Connections on 5mm (.197") centers.
- Modular housing: end to end stackability with snap together/stay together design
- Standoffs for flux cleaning
- Dead front design protects against shock
- Captive M2.5 screws
- Housing withstands wave line temperatures
- Optional terminal identification available
- In accordance with VDE0110
- 2 Thru 4 positions molded to length (snap together larger sizes)
- Available in green or black

MATERIAL SPECIFICATIONS:



Housing Material: Thermoplastic, UL recognized flammability classification **94V-0**, 105°C max. operating temperature

Terminals: Bright acid-tin plated copper alloy

Solderability: MIL-STD-202, Method 208

Elevator Box: Zinc plated steel with yellow chromate coating

Screws: Zinc plated steel with yellow chromate coating, M2.5

Rating: 10 Amps/300 volts, 15 amps/150 volts (limited rating)  

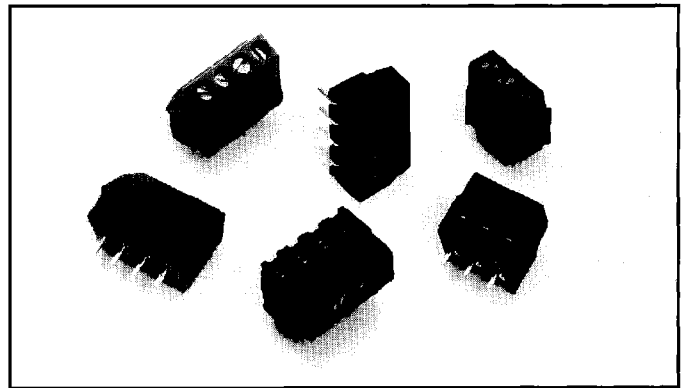
Wire Range: 14-28 AWG (solid or stranded)

Maximum Tightening Torque: 4.5 Lb. in.

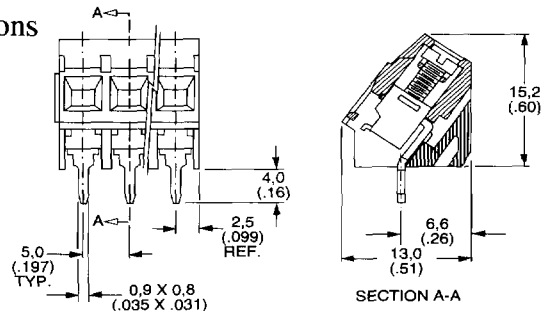
Recommended PC Hole Size:062" Diameter

UL File Number: .. E54800

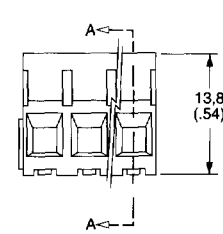
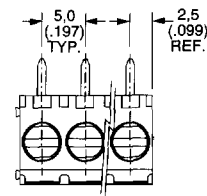
CSA File Number: LR30811



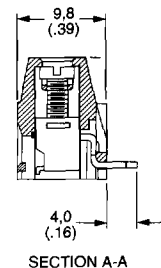
Dimensions
mm/in.



45° ANGLE



RIGHT ANGLE

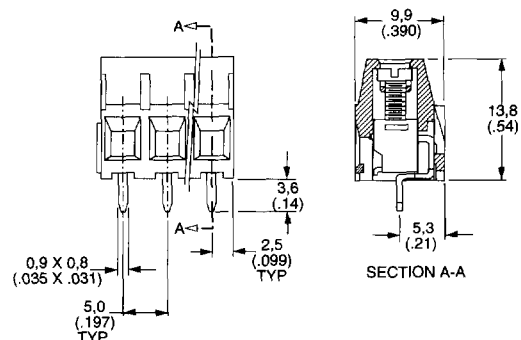


PART NUMBERS/STANDARD CONFIGURATIONS:

Part Number *			No. of Positions
Vertical	Right Angle	45° Angle	
5LEV-02	5LER-02	5LEA-02	2
5LEV-02-1	5LER-02-1	5LEA-02-1	2
5LEV-03	5LER-03	5LEA-03	3
5LEV-03-1	5LER-03-1	5LEA-03-1	3
5LEV-04	5LER-04	5LEA-04	4
5LEV-04-1	5LER-04-1	5LEA-04-1	4

* NOTE: Add "-1" suffix to end of part number for black housing color

* NOTE: Also available with connections on 5.08 mm (.200") centers in black only (2E Series)



VERTICAL

Need more technical information?

Consult your local Augat sales office listed on the back cover

AUGAT Inc.
452 John L. Dietsch Blvd.
Attleboro Falls, MA 02763
USA