

## SP-xxMN-NF-CC

This model was previously released as APS-xx-WBM-NP-NF-CC

Power Splitter | N Female | Square Body

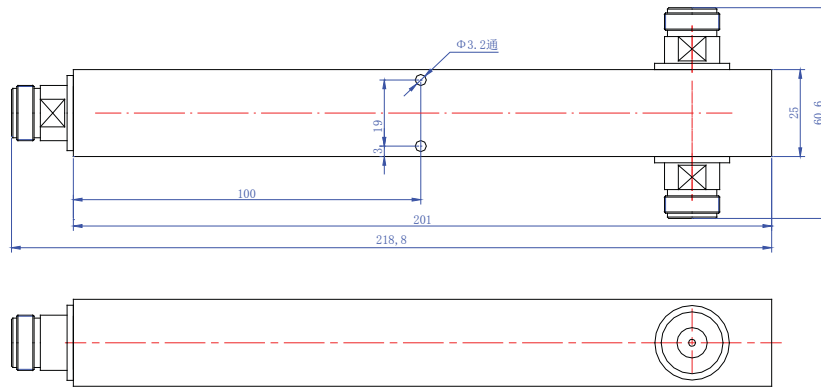
Ordering Options		2-Way Splitter	3-Way Splitter	4-Way Splitter
Model Number (xx)		SP-02MN-NF-CC	SP-03MN-NF-CC	SP-04MN-NF-CC
				
Electrical Characteristics				
Frequency Range		698-2700 MHz	698-2700 MHz	698-2700 MHz
VSWR		≤ 1.25	≤ 1.25	≤ 1.3
Power Rating		300 W	300 W	300 W
PIM3 (2x43 dBm)		≤ -150 dBc	≤ -150 dBc	≤ -150 dBc
Insertion Loss		≤ 0.2 dB	< 0.3 dB	< 0.3 dB
Dissipative Loss		< 0.3 dB	< 0.3 dB	< 0.3 dB
Split Loss		3 dB	4.8 dB	6 dB
Peak Power (max)		---	---	1 kW
Impedance		50Ω	50Ω	50Ω
Mechanical Characteristics				
Dimensions (Length x Width x Depth)		218.8 x 60.6 x 25 mm	234.6 x 60.6 x 25 mm	233.6 x 60.6 x 42.8 mm
Weight		0.36 kg	0.39 kg	0.40 kg
Plating	Inner Contact	Silver	Silver	Silver
	Outer Trimetal	Trimetal	Trimetal	Trimetal
Connector		N Female	N Female	N Female
Environmental Characteristics				
Operating Temperature		-35° C to +75° C	-30° C to +75° C	-30° C to +75° C
Relative Humidity		Up to 95%	Up to 95%	Up to 95%
RoHS Compliant		yes	yes	yes
Application		Indoor / Outdoor	Indoor / Outdoor	Indoor / Outdoor
Environmental		IP65	IP65	IP65

Quoted performance parameters are provided to offer typical, peak or range values only and may vary as a result of normal testing, manufacturing and operational conditions. Extreme operational conditions and/or stress on structural supports is beyond our control. Such conditions may result in damage to this product. Improvements to products may be made without notice.

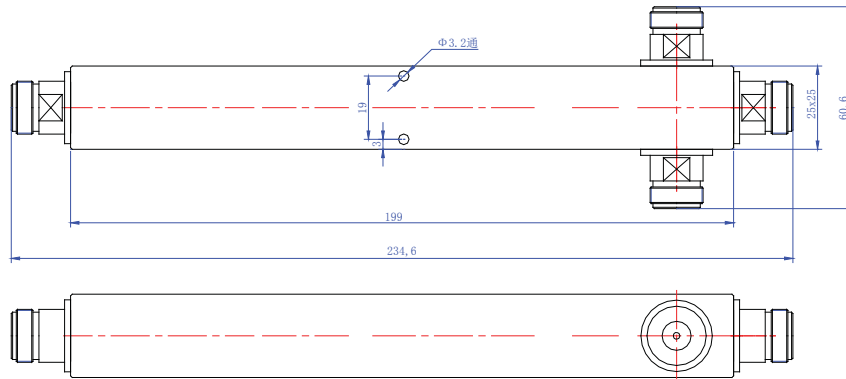
## SP-xxMN-NF-CC

Power Splitter | N Female | Square Body

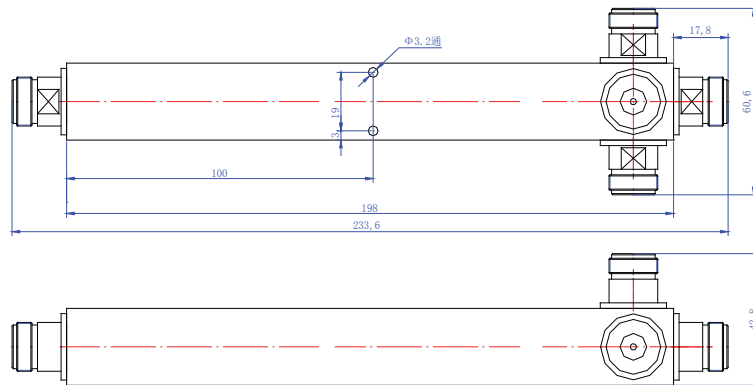
**SP-02MN-NF-CC**



**SP-03MN-NF-CC**



**SP-04MN-NF-CC**



Quoted performance parameters are provided to offer typical, peak or range values only and may vary as a result of normal testing, manufacturing and operational conditions. Extreme operational conditions and/or stress on structural supports is beyond our control. Such conditions may result in damage to this product. Improvements to products may be made without notice.