

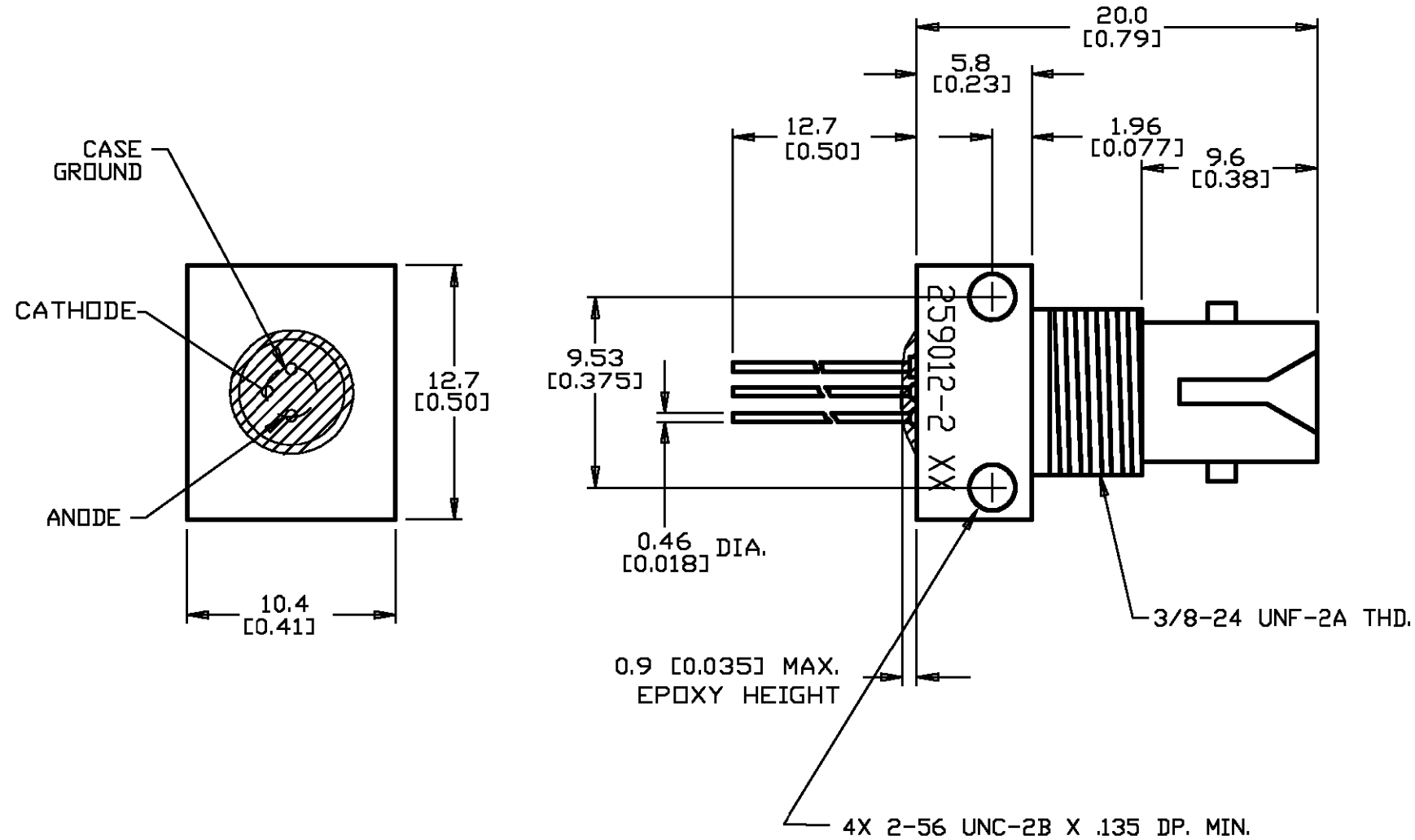
LOC	DIST	REVISIONS					
DR	1	P	LTR	DESCRIPTION	DATE	DWN	APVD
		L		EC-OUC0-0031-01	30JUL01	TJ	DWH

SPECIFICATIONS AT 100 mA FORWARD CURRENT, 25°C

PARAMETER	SYMBOL	TEST CONDITIONS	MIN	TYP	MAX	UNITS
LAUNCHED POWER	P_D	50/125 FIBER 62.5/125 FIBER	20 50	30 75	-	μ W μ W
CENTER WAVELENGTH	λ_c	-	1290	-	1350	nm
SPECTRAL WIDTH	$\Delta\lambda$	-	-	-	170	nm
FORWARD VOLTAGE	V_F	-	-	1.4	1.7	V
LEAKAGE CURRENT	I_L	V = -2V	-	-	2	μ A
CAPACITANCE	C	V = 0V, f=1MHz	-	15	50	pF
RISE/FALL TIME	T_{RF}	-	-	2.5	4	ns

ABSOLUTE MAXIMUM RATINGS

OPERATING TEMPERATURE	T_D	-	-40	-	85	C
STORAGE TEMPERATURE	T_S	-	-40	-	125	C
REVERSE VOLTAGE	V_R	-	-	-	2	V
FORWARD CURRENT	I_F	-	-	-	150	mA



NOTES:

1. DEVICE LEADS ARE ON 2.54 [0.100] DIA. BASE CIRCLE.
2. XX IS A DATE CODE.
3. DIMENSION IN [] ARE IN INCHES.
4. ESD PRECAUTIONS MUST BE EXERCISED WHEN HANDLING COMPONENT.
5. SUPPLIED WITH PANEL NUT AND LOCKWASHER, TWO STAINLESS STEEL SCREWS AND PROTECTIVE CAP (NOT SHOWN)

259012-2
PART No.

THIS DRAWING IS A CONTROLLED DOCUMENT.		DWN T. JAMES	17AUG00	AMP Incorporated Harrisburg, PA 17105-3608	
DIMENSIONS: MM [INCH]		CHK D. W. HOBSON		NAME 2.5mm BAYONET BOARD MOUNT LED (PREMIUM)	
TOLERANCES UNLESS OTHERWISE SPECIFIED:		APVD P. MALARCHER		PRODUCT SPEC 108-55008	
0 PLC ± -		APPLICATION SPEC		SIZE A3	
1 PLC ± -		WEIGHT		CAGE CODE 00779	
2 PLC ± -		CUSTOMER DRAWING		DRAWING NO C-259012-2	
3 PLC ± -		SCALE 1:1		SHEET 1 OF 1	
4 PLC ± -		REVISIONS		REV	
ANGLES ± -					
MATERIAL					
FINISH					