



SC-RJ IP67 CONNECTOR



Features

- 2 fibers
 - singlemode E9/125
 - multimode G50/125, G62.5/125
 - HCS 200/230
- dust proof, water proof and fluid resistant
- push-pull locking mechanism
- based on SC ferrule technology and connector design
- secured against torsion
- full plastic connector incl. protection cap
- for maximum handling and installation security
- field repairable
- specified in EN 50173-3 and ISO/IEC 24702 for industrial cabling
- design specified in IEC 61754-24 and IEC 61076-3-106

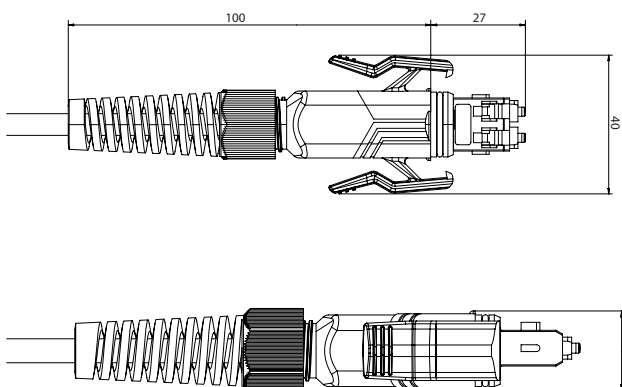
Specifications

connector interface	IEC 61754-24	for SC-RJ IP20
technology		full ceramic ferrule and sleeve (PhBr for multimode adapter)
tuning		45° steps
tensile load of cable fixing	IEC 61300-2-4	≤ 50 N SC-RJ IP67 connector ≤ 100 N SC-RJ IP20 connector
temperature range	IEC 61300-2-22	- 40°C up to +80°C depending on cable type
mating cycles	IEC 61300-2-2	500 times
protection class	EN 60529	IP67
vibration	IEC 61300-2-1	passed
resistance		oil, petrol, kerosene, ozone

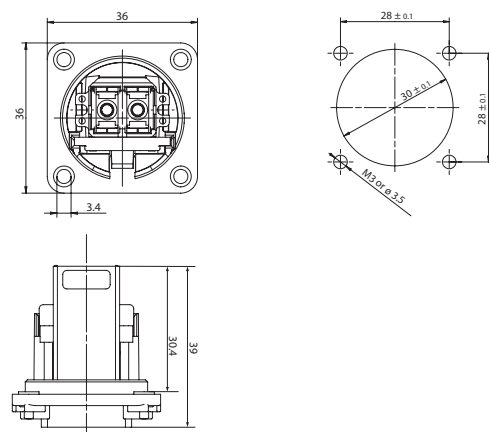
Optical performance

insertion loss	IEC 61300-3-34	multimode	typ. 0.2 dB, 97% 0.5 dB
		singlemode	typ. 0.2 dB, 97% 0.45 dB
return loss	IEC 61300-3-6	singlemode PC	≥ 45 dB

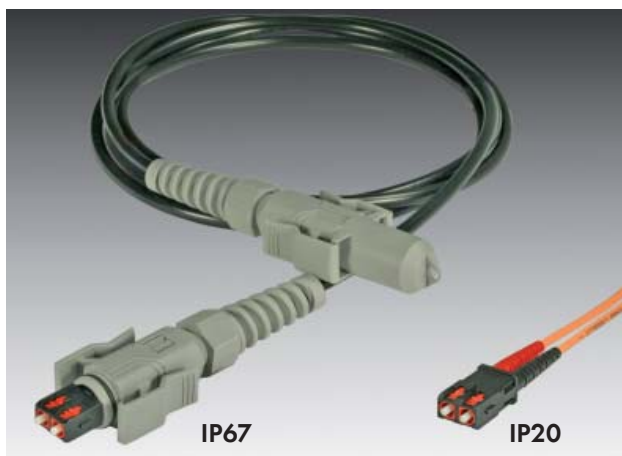
Dimensions: SC-RJ IP67 plug



Dimensions: SC-RJ socket with adapter



SC-RJ IP67 ASSEMBLIES



Features

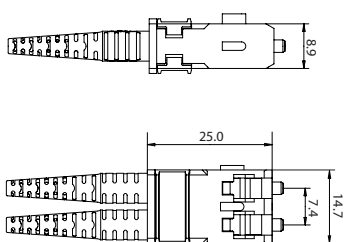
- rugged minicord-breakout or mobile field cable for IP67 assemblies
- duplex cables for IP20 assemblies
- halogen free and low smoke
- high mechanical resistance
- broad temperature range
- all cable assemblies fully tested
- assembled at HUBER+SUHNER with best values

Ordering information

17Z02FG0	cable type	standard cable for IP67 plug, minicord breakout
27HD8CE0		standard cable for IP20 plug, zipcord singlemode
27HD8CD0		standard cable for IP20 plug, zipcord multimode
09	fiber type	singlemode E9/125 µm
50		multimode G50/125 µm
62		multimode G62.5/125 µm
20		multimode H200/230 µm
Z1/Z1	connector left side/connector right side	
		Z1 SC-RJ IP67 plug
		76 SC-RJ IP20 plug
		xx other connector type see connector code on page 8
x	total number of connectors	
x	length of assembly [m]	
MM	performance level (left/right)	multimode
AA		singlemode LAN-eco, standard
BB		singlemode high-end

Adapter type	Fiber type	Ferrule material	Item no.
SC-RJ IP67 socket with adapter	singlemode	ceramic	84019167
	multimode	phosphor bronze	84019165
SC-RJ IP20 adapter	singlemode	ceramic	84037157
	multimode	phosphor bronze	84037159

Dimensions: SC-RJ IP20 plug



Dimensions: SC-RJ IP20 adapter

