

SN55107A, SN55107B, SN55108A, SN55108B SN75107A, SN75107B, SN75108A, SN75108B DUAL LINE RECEIVERS

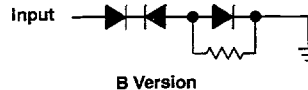
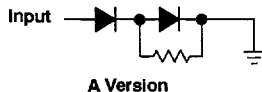
SLLS069A – D2304, JANUARY 1977 – REVISED JANUARY 1993

- High Speed
- Standard Supply Voltage
- Dual Channels
- High Common-Mode Rejection Ratio
- High Input Impedance
- High Input Sensitivity
- Differential Common-Mode Input Voltage Range of ± 3 V
- Strobe Inputs for Receiver Selection
- Gate Inputs for Logic Versatility
- TTL Drive Capability
- High dc Noise Margin
- '107A and '107B Have Totem-Pole Outputs
- '108A and '108B Have Open-Collector Outputs
- B Versions Have Diode-Protected Input for Power-Off Condition

description

These circuits are TTL-compatible high-speed line receivers. Each is a monolithic dual circuit featuring two independent channels. They are designed for general use as well as such specific applications as data comparators and balanced, unbalanced, and party-line transmission systems. These devices are unilaterally interchangeable with and are replacements for the SN55107, SN55108, SN75107, and SN75108, but offer diode-clamped strobe inputs to simplify circuit design.

The essential difference between the A and B versions can be seen in the schematics. Input-protection diodes are in series with the collectors of the differential-input transistors of the B versions. These diodes are useful in certain party-line systems that may have multiple V_{CC+} power supplies and may be operated with some of the V_{CC+} supplies turned off. In such a system, if a supply is turned off and allowed to go to ground, the equivalent input circuit connected to that supply would be as follows:

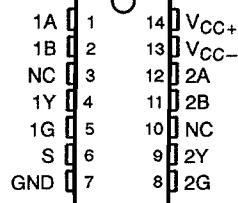


This would be a problem in specific systems that might possibly have the transmission lines biased to some potential greater than 1.4 V.

The SN55107A, SN55107B, SN55108A, and SN55108B are characterized for operation over the full military temperature range of -55°C to 125°C . The SN75107A, SN75107B, SN75108A, and SN75108B are characterized for operation from 0°C to 70°C .

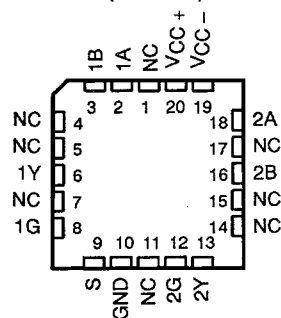
SN55107A, SN55107B, SN55108A,
SN55108B ... J OR W PACKAGE
SN75107A, SN75107B, SN75108A,
SN75108B ... D, J, OR N PACKAGE

(TOP VIEW)



SN55107A, SN55107B, SN55108A,
SN55108B ... FK PACKAGE

(TOP VIEW)



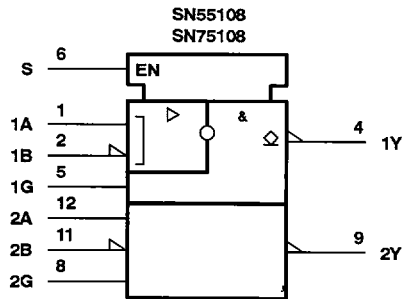
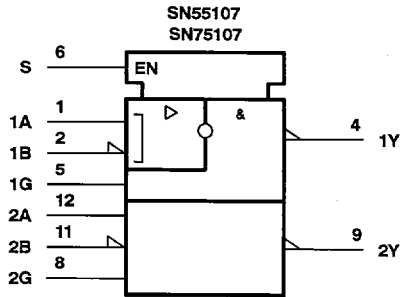
NC – No internal connection

**THE SN75108B IS NOT
RECOMMENDED FOR NEW DESIGN**

**SN55107A, SN55107B, SN55108A, SN55108B
SN75107A, SN75107B, SN75108A, SN75108B
DUAL LINE RECEIVERS**

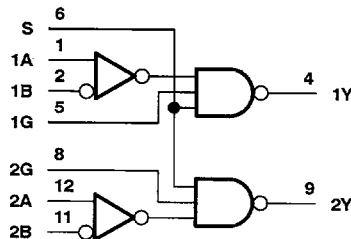
SLLS069A - D2304, JANUARY 1977 - REVISED JANUARY 1993

logic symbols†



† These symbols are in accordance with ANSI/IEEE Std 91-1984 and IEC Publication 617-12. Pin numbers shown are for the D, J, N, and W packages.

logic diagram (positive logic)



FUNCTION TABLE

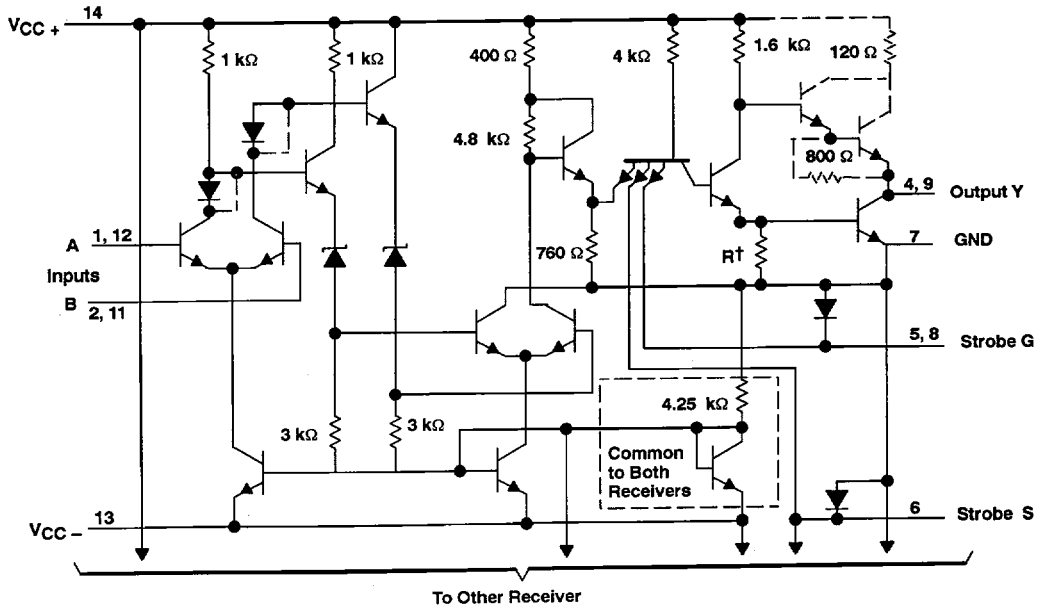
DIFFERENTIAL INPUTS A - B	STROBES		OUTPUT
	G	S	Y
$V_{ID} \geq 25 \text{ mV}$	X	X	H
$-25 \text{ mV} < V_{ID} < 25 \text{ mV}$	X	L	H
	L	X	H
	H	H	Indeterminate
$V_{ID} \leq -25 \text{ mV}$	X	L	H
	L	X	H
	H	H	L

H = high level, L = low level, X = irrelevant

SN55107A, SN55107B, SN55108A, SN55108B
 SN75107A, SN75107B, SN75108A, SN75108B
DUAL LINE RECEIVERS

SLLS069A—D2304, JANUARY 1977—REVISED JANUARY 1993

schematic (each receiver)



Pin numbers shown are for D, J, N, and W packages.

† R = 1 kΩ for '107A and '107B, 750 Ω for '108A and '108B.

NOTES: 1. Resistor values shown are nominal.

2. Components shown with dashed lines in the output circuitry are applicable to the '107A and '107B only. Diodes in series with the collectors of the differential input transistors are short circuited on '107A and '108A.

absolute maximum ratings over operating free-air temperature range (unless otherwise noted)

Supply voltage, V_{CC+} (see Note 3)	7 V
Supply voltage, V_{CC-}	-7 V
Differential input voltage (see Note 4)	±6 V
Common-mode input voltage (see Note 5)	±5 V
Strobe input voltage	5.5 V
Continuous total dissipation	See Dissipation Rating Table
Operating free-air temperature range: SN55'	-55°C to 125°C
SN75'	0°C to 70°C
Storage temperature range	-65°C to 150°C
Case temperature for 60 seconds: FK package	260°C
Lead temperature 1,6 mm (1/16 inch) from case for 60 seconds: J package	300°C
Lead temperature 1,6 mm (1/16 inch) from case for 10 seconds: D, N, or W package	260°C

NOTES: 3. All voltage values, except differential voltages, are with respect to network ground terminal.

4. Differential voltage values are at the noninverting (A) terminal with respect to the inverting (B) terminal.

5. Common-mode input voltage is the average of the voltages at the A and B inputs.

SN55107A, SN55107B, SN55108A, SN55108B
SN75107A, SN75107B, SN75108A, SN75108B
DUAL LINE RECEIVERS

SLLS069A - D2304, JANUARY 1977 - REVISED JANUARY 1993

DISSIPATION RATING TABLE

PACKAGE	$T_A \leq 25^\circ\text{C}$	DERATING FACTOR	$T_A = 70^\circ\text{C}$	$T_A = 125^\circ\text{C}$
	POWER RATING	ABOVE $T_A = 25^\circ\text{C}$	POWER RATING	POWER RATING
D	950 mW	7.6 mW/ $^\circ\text{C}$	608 mW	—
FK	1375 mW	11.0 mW/ $^\circ\text{C}$	880 mW	275 mW
J (SN5510_A,B)	1375 mW	11.0 mW/ $^\circ\text{C}$	880 mW	275 mW
J (SN7510_A,B)	1025 mW	8.2 mW/ $^\circ\text{C}$	656 mW	—
N	1150 mW	9.2 mW/ $^\circ\text{C}$	736 mW	—
W	1000 mW	8.0 mW/ $^\circ\text{C}$	640 mW	200 mW

recommended operating conditions (see Note 6)

	SN55107A, SN55107B SN55108A, SN55108B			SN75107A, SN75107B SN75108A, SN75108B			UNIT
	MIN	NOM	MAX	MIN	NOM	MAX	
Supply voltage, V_{CC+}	4.5	5	5.5	4.75	5	5.25	V
Supply voltage, V_{CC-}	-4.5	-5	-5.5	-4.75	-5	-5.25	V
High-level input voltage between differential inputs, V_{IDH} (see Note 7)	0.025		5	0.025		5	V
Low-level input voltage between differential inputs, V_{IDL} (see Note 7)	-5 [†]		-0.025	-5 [†]		-0.025	V
Common-mode input voltage, V_{IC} (see Notes 7 and 8)	-3 [†]		3	-3 [†]		3	V
Input voltage, any differential input to GND (see Note 8)	-5 [†]		3	-5 [†]		3	V
High-level input voltage at strobe inputs, $V_{IH(S)}$	2		5.5	2		5.5	V
Low-level input voltage at strobe inputs, $V_{IL(S)}$	0		0.8	0		0.8	V
Low-level output current, I_{OL}			-16			-16	mA
Operating free-air temperature, T_A	-55		125	0		70	$^\circ\text{C}$

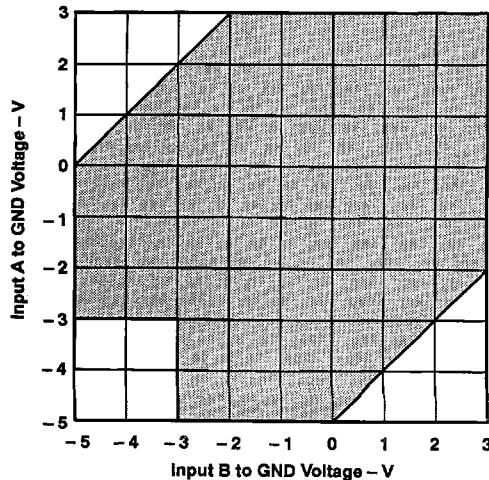
[†] The algebraic convention, in which the less positive (more negative) limit is designated as minimum, is used in this data sheet for input voltage levels only.

NOTES: 6. When using only one channel of the line receiver, the strobe G of the unused channel should be grounded and at least one of the differential inputs of the unused receiver should be terminated at some voltage between -3 V and 3 V.

7. The recommended combinations of input voltages fall within the shaded area of the figure shown.

8. The common-mode voltage may be as low as -4 V provided that the more positive of the two inputs is not more negative than -3 V.

**RECOMMENDED COMBINATIONS
OF INPUT VOLTAGES**



**SN55107A, SN55107B, SN55108A, SN55108B
SN75107A, SN75107B, SN75108A, SN75108B
DUAL LINE RECEIVERS**

SLLS069A - D2304, JANUARY 1977 - REVISED JANUARY 1993

electrical characteristics over recommended free-air temperature range (unless otherwise noted)

PARAMETER	TEST CONDITIONS†	'107A, '107B			'108A, '108B			UNIT
		MIN	TYP‡	MAX	MIN	TYP‡	MAX	
V _{OH} High-level output voltage	V _{CC±} = MIN, V _{IL(S)} = 0.8 V, V _{IDH} = 25 mV, I _{OH} = -400 µA, V _{IC} = -3 V to 3 V	2.4						V
V _{OL} Low-level output voltage	V _{CC±} = MIN, V _{IH(S)} = 2 V, V _{IDL} = -25 mV, I _{OL} = 16 mA, V _{IC} = -3 V to 3 V				0.4		0.4	V
I _{IH} High-level input current	V _{CC±} = MAX	V _{ID} = 5 V		30		75		µA
		V _{ID} = -5 V		30		75		
I _{IL} Low-level input current	V _{CC±} = MAX	V _{ID} = -5 V				-10		µA
		V _{ID} = 5 V				-10		
I _{IH} High-level input current into 1G or 2G	V _{CC±} = MAX, V _{IH(G)} = 2.4 V				40		40	µA
	V _{CC±} = MAX, V _{IH(G)} = MAX V _{CC+}				1		1	mA
I _{IL} Low-level input current into 1G or 2G	V _{CC±} = MAX, V _{IL(G)} = 0.4 V				-1.6		-1.6	mA
I _{IH} High-level input current into S	V _{CC±} = MAX, V _{IH(S)} = 2.4 V				80		80	µA
	V _{CC±} = MAX, V _{IH(S)} = MAX V _{CC+}				2		2	mA
I _{IL} Low-level input current into S	V _{CC±} = MAX, V _{IL(S)} = 0.4 V				-3.2		-3.2	mA
I _{OH} High-level output current	V _{CC±} = MIN, V _{OH} = MAX V _{CC+}				250			µA
I _{OS} Short-circuit output current§	V _{CC±} = MAX	-18		-70				mA
I _{CCH+} Supply current from V _{CC+} , outputs high	V _{CC±} = MAX, T _A = 25°C	18		30		18 30		mA
I _{CCH-} Supply current from V _{CC-} , outputs high	V _{CC±} = MAX, T _A = 25°C	-8.4		-15		-8.4 -15		mA

† For conditions shown as MIN or MAX, use the appropriate value specified under recommended operating conditions.

‡ All typical values are at V_{CC+} = 5 V, V_{CC-} = -5 V, T_A = 25°C.

§ Not more than one output should be shorted at a time.

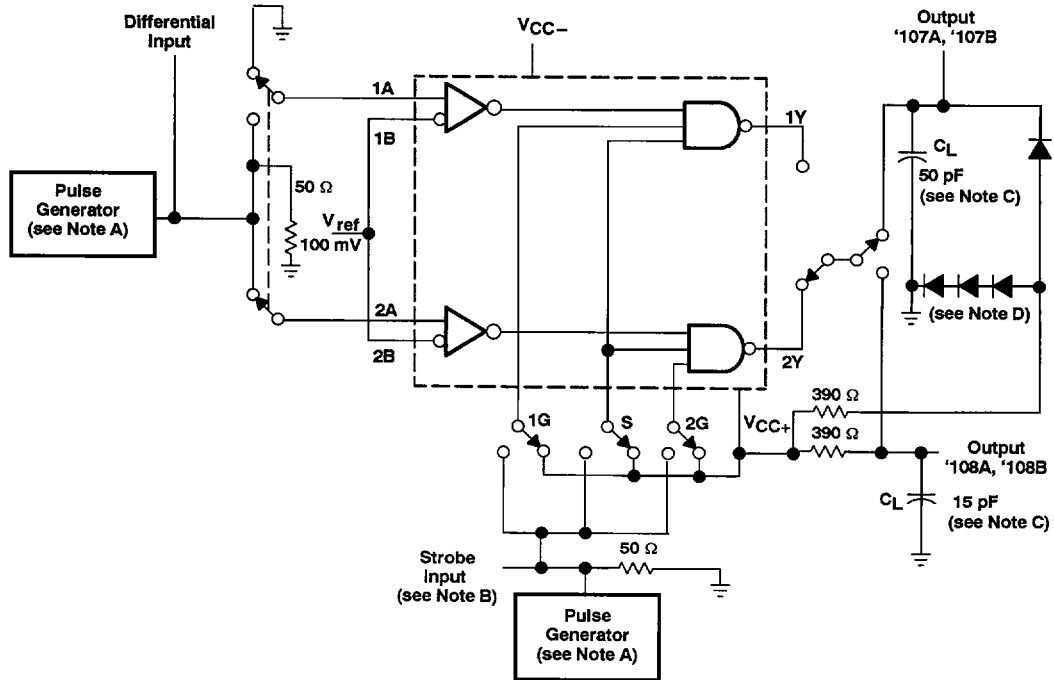
switching characteristics, V_{CC±} = ±5 V, T_A = 25°C, R_L = 390 Ω (see Figure 1)

PARAMETER	TEST CONDITIONS	'107A, '107B			'108A, 108B			UNIT
		MIN	TYP	MAX	MIN	TYP	MAX	
t _{PLH(D)} Propagation delay time, low-to-high-level output, from differential inputs A and B	C _L = 50 pF	17			25			ns
	C _L = 15 pF				19			
t _{PHL(D)} Propagation delay time, high-to-low-level output, from differential inputs A and B	C _L = 50 pF	17			25			ns
	C _L = 15 pF				19			
t _{PLH(S)} Propagation delay time, low-to-high-level output, from strobe input G or S	C _L = 50 pF	10		15				ns
	C _L = 15 pF					13 20		
t _{PHL(S)} Propagation delay time, high-to-low-level output, from strobe input G or S	C _L = 50 pF	8		15				ns
	C _L = 15 pF					13 20		

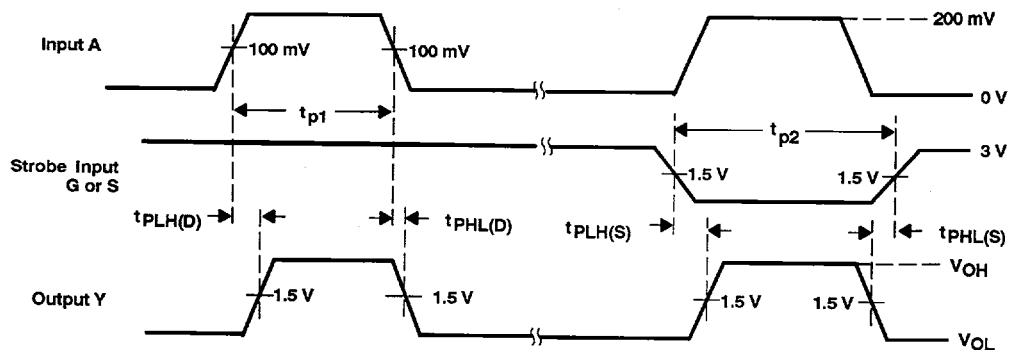
SN55107A, SN55107B, SN55108A, SN55108B
SN75107A, SN75107B, SN75108A, SN75108B
DUAL LINE RECEIVERS

SLLS069A - D2304, JANUARY 1977 - REVISED JANUARY 1993

PARAMETER MEASUREMENT INFORMATION



TEST CIRCUIT



VOLTAGE WAVEFORMS

- NOTES: A. The pulse generators have the following characteristics: $Z_0 = 50 \Omega$, $t_r = 10 \pm 5 \text{ ns}$, $t_f = 10 \pm 5 \text{ ns}$, $t_{pd1} = 500 \text{ ns}$, $\text{PRR} \leq 1 \text{ MHz}$, $t_{pd2} = 1 \mu\text{s}$, $\text{PRR} \leq 500 \text{ kHz}$.
- B. Strobe input pulse is applied to Strobe 1G when inputs 1A-1B are being tested, to Strobe S when inputs 1A-1B or 2A-2B are being tested, and to Strobe 2G when inputs 2A-2B are being tested.
- C. C_L includes probe and jig capacitance.
- D. All diodes are 1N916.

Figure 1. Test Circuit and Voltage Waveforms

SN55107A, SN55107B, SN55108A, SN55108B
 SN75107A, SN75107B, SN75108A, SN75108B
 DUAL LINE RECEIVERS

SLLS069A - D2304, JANUARY 1977 - REVISED JANUARY 1993

TYPICAL CHARACTERISTICS†

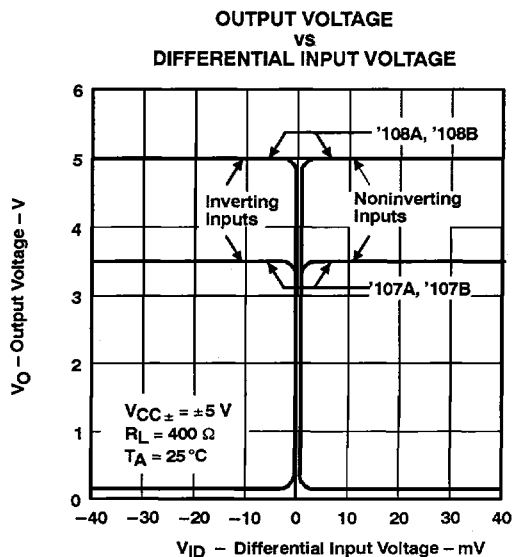


Figure 2

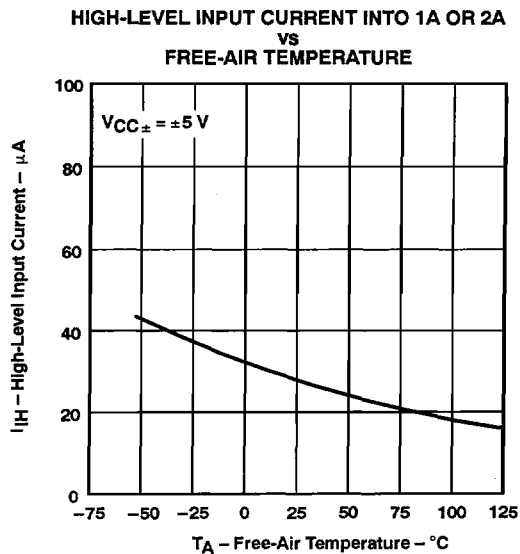


Figure 3

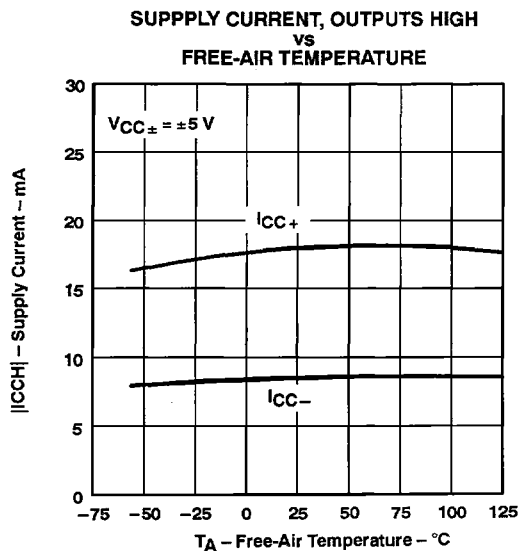


Figure 4

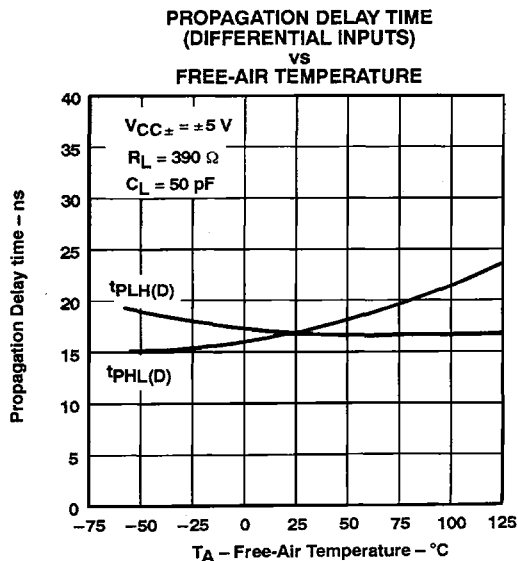


Figure 5

† Values below 0°C and above 70°C apply to SN55' only.

**SN55107A, SN55107B, SN55108A, SN55108B
SN75107A, SN75107B, SN75108A, SN75108B
DUAL LINE RECEIVERS**

SLLS069A - D2304, JANUARY 1977 - REVISED JANUARY 1993

TYPICAL CHARACTERISTICS†

**PROPAGATION TIME, LOW-TO-HIGH LEVEL
(DIFFERENTIAL INPUTS)
vs
FREE-AIR TEMPERATURE**

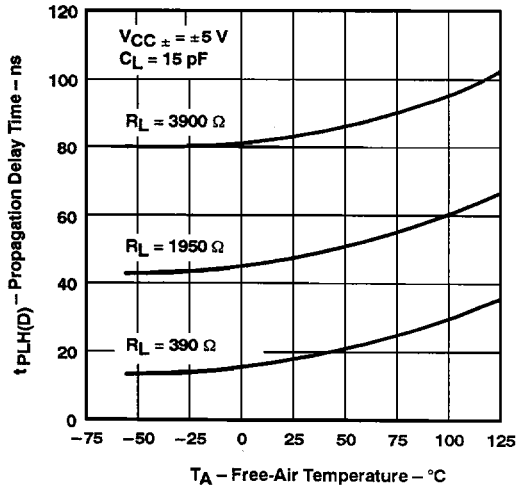


Figure 6

**PROPAGATION TIME, LOW-TO-HIGH LEVEL
(DIFFERENTIAL INPUTS)
vs
FREE-AIR TEMPERATURE**

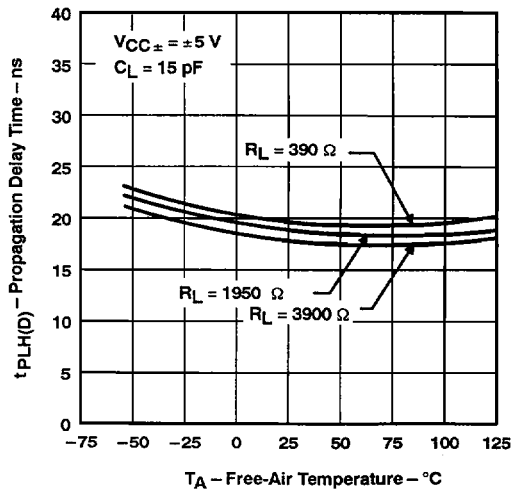


Figure 7

**'108A, '108B
PROPAGATION DELAY TIME (STROBE INPUTS)
vs
FREE-AIR TEMPERATURE**

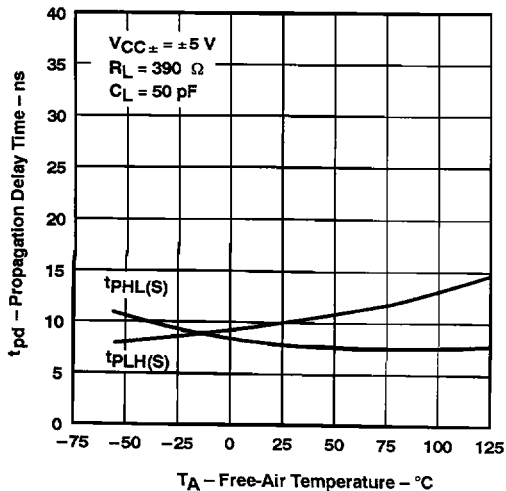


Figure 8

**'108A, '108B
PROPAGATION DELAY TIME (STROBE INPUTS)
vs
FREE-AIR TEMPERATURE**

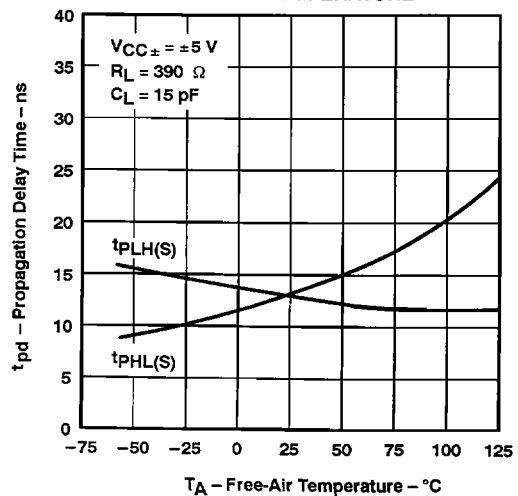


Figure 9

† Values below 0°C and above 70°C apply to SN55' only.

APPLICATION INFORMATION

basic balanced-line transmission system

The '107A, '107B, '108A, and '108B dual line circuits are designed specifically for use in high-speed data transmission systems that utilize balanced, terminated transmission lines such as twisted-pair lines. The system operates in the balanced mode, so noise induced on one line is also induced on the other. The noise appears common mode at the receiver input terminals where it is rejected. The ground connection between the line driver and receiver is not part of the signal circuit so that system performance is not affected by circulating ground currents.

The unique driver-output circuit allows terminated transmission lines to be driven at normal line impedances. High-speed system operation is ensured since line reflections are virtually eliminated when terminated lines are used. Crosstalk is minimized by low signal amplitudes and low line impedances.

The typical data delay in a system is approximately $30 + 1.3 L$ ns, where L is the distance in feet separating the driver and receiver. This delay includes one gate delay in both the driver and receiver.

Data is impressed on the balanced-line system by unbalancing the line voltages with the driver output current. The driven line is selected by appropriate driver-input logic levels. The voltage difference is approximately:

$$V_{DIFF} \sim 1/2 I_{O(on)} \cdot R_T$$

High series line resistance will cause degradation of the signal. The receivers, however, will detect signals as low as 25 mV (or less). For normal line resistances, data may be recovered from lines of several thousand feet in length.

Line-termination resistors (R_T) are required only at the extreme ends of the line. For short lines, termination resistors at the receiver only may prove adequate. The signal amplitude will then be approximately:

$$V_{DIFF} \sim I_{O(on)} \cdot R_T$$

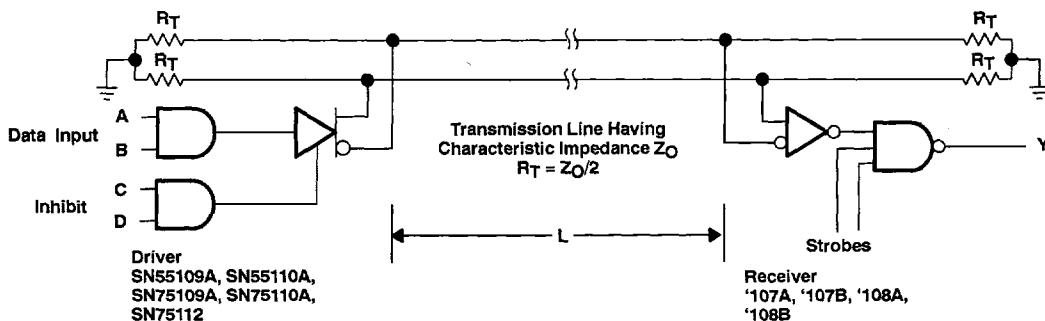


Figure 10. Typical Differential Data Line

data-bus or party-line system

The strobe feature of the receivers and the inhibit feature of the drivers allow these dual line circuits to be used in data-bus or party-line systems. In these applications, several drivers and receivers may share a common transmission line. An enabled driver transmits data to all enabled receivers on the line while other drivers and receivers are disabled. Data is thus time multiplexed on the transmission line. The device specifications allow widely varying thermal and electrical environments at the various driver and receiver locations. The data-bus system offers maximum performance at minimum cost.

**SN55107A, SN55107B, SN55108A, SN55108B
SN75107A, SN75107B, SN75108A, SN75108B
DUAL LINE RECEIVERS**

SLLS069A - D2304, JANUARY 1977 - REVISED JANUARY 1993

APPLICATION INFORMATION

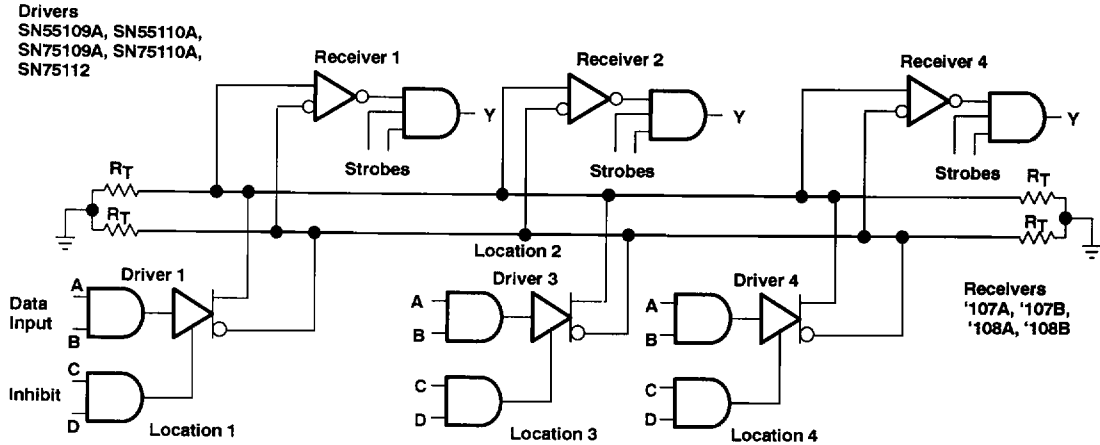


Figure 11. Typical Differential Party Line

unbalanced or single-line systems

These dual-line circuits may also be used in unbalanced or single-line systems. Although these systems do not offer the same performance as balanced systems for long lines, they are adequate for very short lines where environmental noise is not severe.

The receiver threshold level is established by applying a dc reference voltage to one receiver input terminal. The signal from the transmission line is applied to the remaining input. The reference voltage should be optimized so that signal swing is symmetrical about it for maximum noise margin. The reference voltage should be in the range of -3 V to 3 V . It can be provided by a voltage supply or by a voltage divider from an available supply voltage.

A single-ended output from a driver may be used in single-line systems. Coaxial or shielded line is preferred for minimum noise and crosstalk problems. For large signal swings, the high output current (typically 27 mA) of the SN75112 is recommended. Drivers may be paralleled for higher current. When using only one channel of the line drivers, the other channel should be inhibited and/or have its outputs grounded.

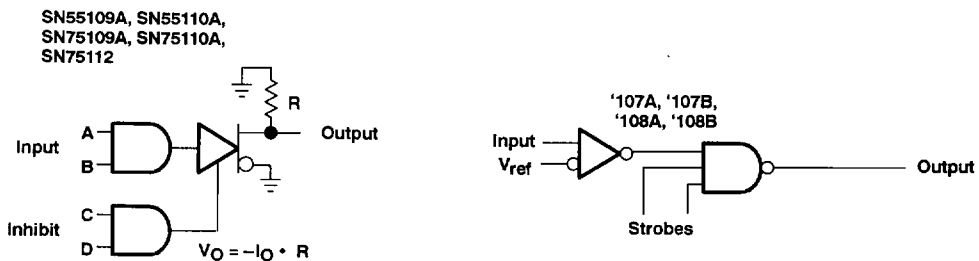


Figure 12. Single-Ended Operation

APPLICATION INFORMATION

'108A, '108B dot-AND output connections

The '108A, '108B line receivers feature an open-collector-output circuit that can be connected in the dot-AND logic configuration with other similar open-collector outputs. This allows a level of logic to be implemented without additional logic delay.

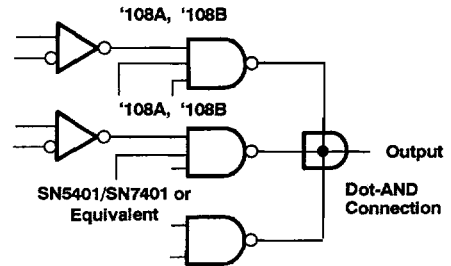


Figure 13. Dot-AND Connection

increasing common-mode input voltage range of receiver

The common-mode voltage range or CMVR is defined as the range of voltage applied simultaneously to both input terminals that if exceeded does not allow normal operation of the receiver.

The recommended operating CMVR is ± 3 V, making it useful in all but the noisiest environments. In extremely noisy environments, common-mode voltage can easily reach ± 10 V to ± 15 V if some precautions are not taken to reduce ground and power supply noise, as well as crosstalk problems. When the receiver must operate in such conditions, input attenuators should be used to decrease the system common-mode noise to a tolerable level at the receiver inputs. Differential noise is also reduced by the same ratio. These attenuators have been intentionally omitted from the receiver input terminals so the designer may select resistors that will be compatible with his particular application or environment. Furthermore, the use of attenuators adversely affects the input sensitivity, the propagation delay time, the power dissipation, and in some cases (depending on the selected resistor values) the input impedance, therefore reducing the versatility of the receiver.

The ability of the receiver to operate with approximately ± 15 V common-mode voltage at the inputs has been checked using the circuit shown in Figure 14. The resistors R1 and R2 provide a voltage divider network. Dividers with three different values presenting a 5-to-1 attenuation were used so as to operate the differential inputs at approximately ± 3 V common-mode voltage. Careful matching of the two attenuators is needed so as to balance the overdrive at the input stage. The resistors used are shown in Table 1.

Table 1

Attenuator 1:	R1 = 2 k Ω ,	R2 = 0.5 k Ω
Attenuator 2:	R1 = 6 k Ω ,	R2 = 1.5 k Ω
Attenuator 3:	R1 = 12 k Ω ,	R2 = 3 k Ω

Table 2. Typical Propagation Delays for Receiver With Attenuator Test Circuit Shown in Figure 14

DEVICE	PARAMETERS	INPUT ATTENUATOR	TYPICAL (ns)
'107A, '107B	t _{PLH}	1	20
		2	32
		3	42
	t _{PHL}	1	22
		2	31
		3	33
'108A, '108B	t _{PLH}	1	36
		2	47
		3	57
	t _{PHL}	1	29
		2	38
		3	41

Table 2 shows some of the typical switching results obtained under such conditions.

SN55107A, SN55107B, SN55108A, SN55108B
 SN75107A, SN75107B, SN75108A, SN75108B
 DUAL LINE RECEIVERS

SLLS069A - D2304, JANUARY 1977 - REVISED JANUARY 1993

APPLICATION INFORMATION

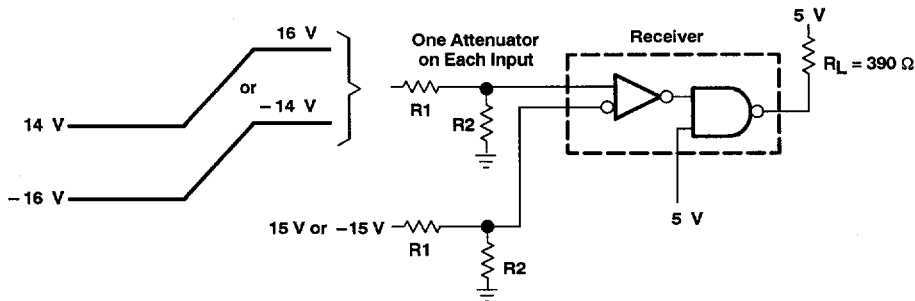


Figure 14. Common-Mode Circuit for Testing Input Attenuators With Results Shown In Table 2

Two methods of terminating a transmission line to reduce reflections are:

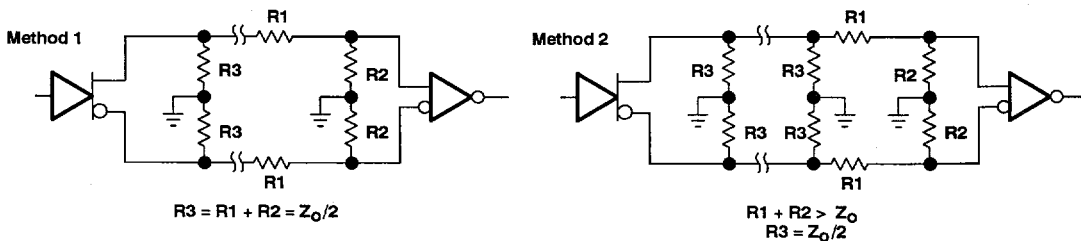


Figure 15. Termination Techniques

The first method uses the resistors as the attenuation network and line termination. The second method uses two additional resistors for the line terminations.

APPLICATION INFORMATION

For party-line operation, method 2 should be used as follows:

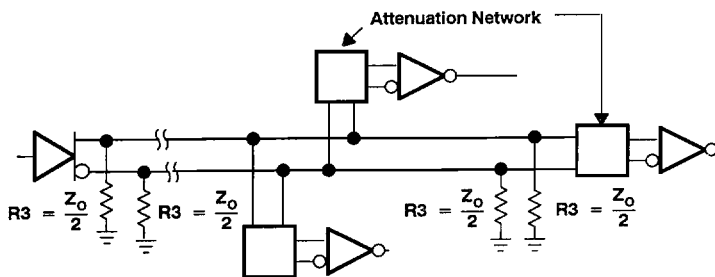


Figure 16. Party-Line Termination Technique

To minimize the loading, the values of R1 and R2 should be fairly large. Examples of possible values are shown in Table 1.

furnace control using the SN75108A

The furnace control circuit in Figure 17 is an example of the possible use of the SN55107A Series in areas other than what would normally be considered electronic systems. Basically, the operation of this control is as follows. When the room temperature is below the desired level, the resistance of the room temperature sensor is high and channel 1 noninverting input is below (less positive than) the reference level set on the input differential amplifier. This situation causes a low output, operating the heat on relay and turning on the heat. The channel 2 noninverting input is below the reference level when the bonnet temperature of the furnace reaches the desired level. This causes a low output thus operating the blower relay. Normally the furnace is shut down when the room temperature reaches the desired level and the channel 1 output goes high, turning the heat off. The blower remains on as long as the bonnet temperature is high, even after the heat is off. There is also a safety switch in the bonnet that shuts the furnace down if the temperature there exceeds desired limitations. The types of temperature-sensing devices and bias-resistor values used are determined by the particular operating conditions encountered.

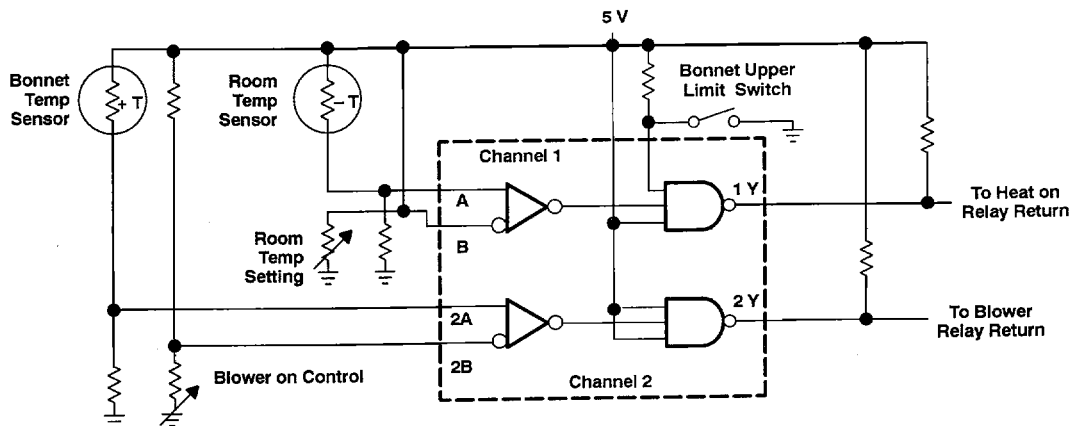


Figure 17. Furnace Control Using SN75108A

SN55107A, SN55107B, SN55108A, SN55108B
SN75107A, SN75107B, SN75108A, SN75108B
DUAL LINE RECEIVERS

SLLS069A - D2304, JANUARY 1977 - REVISED JANUARY 1993

APPLICATION INFORMATION

repeaters for long lines

In some cases, the driven line may be so long that the noise level on the line reaches the common-mode limits or the attenuation becomes too large and results in poor reception. In such a case, a simple application of a receiver and a driver as repeaters [shown in Figure 18(a)] restores the signal level and allows an adequate signal level at the receiving end. If multichannel operation is desired, then proper gating for each channel must be sent through the repeater station using another repeater set as in Figure 18(b).

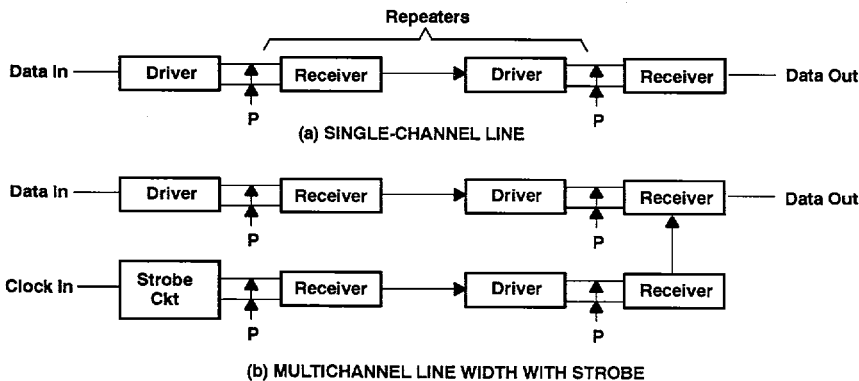


Figure 18. Receiver-Driver Repeaters

receiver as dual differential comparator

There are many applications for differential comparators, such as voltage comparison, threshold detection, controlled Schmitt triggering, and pulse-width control.

As a differential comparator, a '107A or '108A may be connected so as to compare the noninverting input terminal with the inverting input as shown in Figure 19. Thus the output will be high or low resulting from the A input being greater or less than the reference. The strobe inputs allow additional control over the circuit so that either output or both may be inhibited.

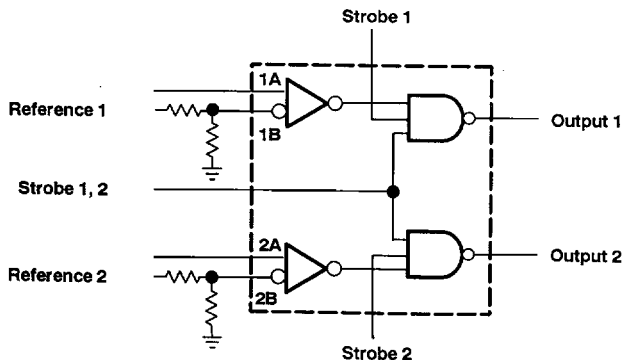
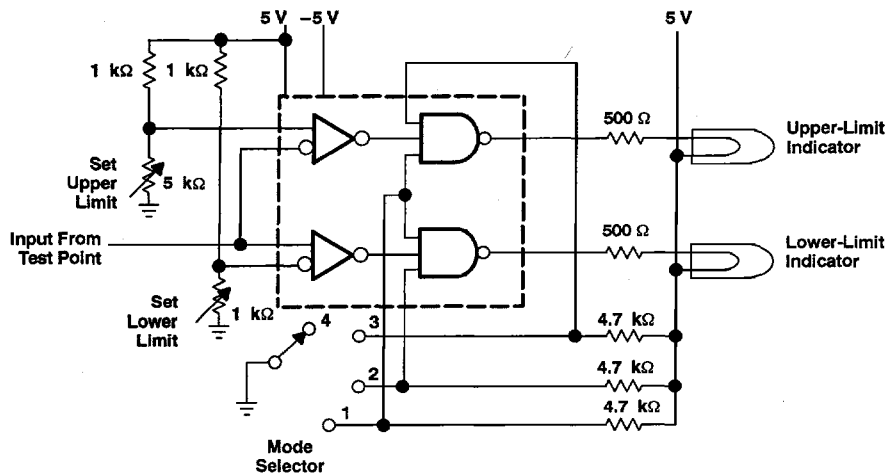


Figure 19. SN55107A Series Receiver as a Dual Differential Comparator

APPLICATION INFORMATION

window detector

The window detector circuit in Figure 20 has a large number of applications in test equipment and in determining upper limits, lower limits, or both at the same time - such as detecting whether a voltage or signal has exceeded its limits or window. Illumination of the upper-limit (lower-limit) indicator shows that the input voltage is above (below) the selected upper (lower) limit. A mode selector is provided for selecting the desired test. For window detecting, the upper and lower limits test position is used.



MODE SELECTOR LEGEND

POSITION	CONDITION
1	Off
2	Test for Upper Limit
3	Test for Lower Limit
4	Test for Upper and Lower Limits

Figure 20. Window Detector Using SN75108A

**SN55107A, SN55107B, SN55108A, SN55108B
SN75107A, SN75107B, SN75108A, SN75108B
DUAL LINE RECEIVERS**

SLLS069A - D2304, JANUARY 1977 - REVISED JANUARY 1993

APPLICATION INFORMATION

temperature controller with zero-voltage switching

The circuit in Figure 21 switches an electric-resistive heater on or off by providing negative-going pulses to the gate of a triac during the time interval when the line voltage is passing through zero. The pulse generator is the 2N5447 and four diodes. This portion of the circuit provides negative-going pulses during the short time (approximately 100 μ s) when the line voltage is near zero. These pulses are fed to the inverting input of one channel of the '108A. If the room temperature is below the desired level, the resistance of the thermistor is high and the noninverting input of channel 2 is above the reference level determined by the thermostat setting. This provides a high-level output from channel 2. This output is ANDed with the positive-going pulses from the output of channel 1, which are reinverted in the 2N5449. This output is ANDed with the positive-going pulses from the output of channel 1, which are reinverted in the 2N5449.

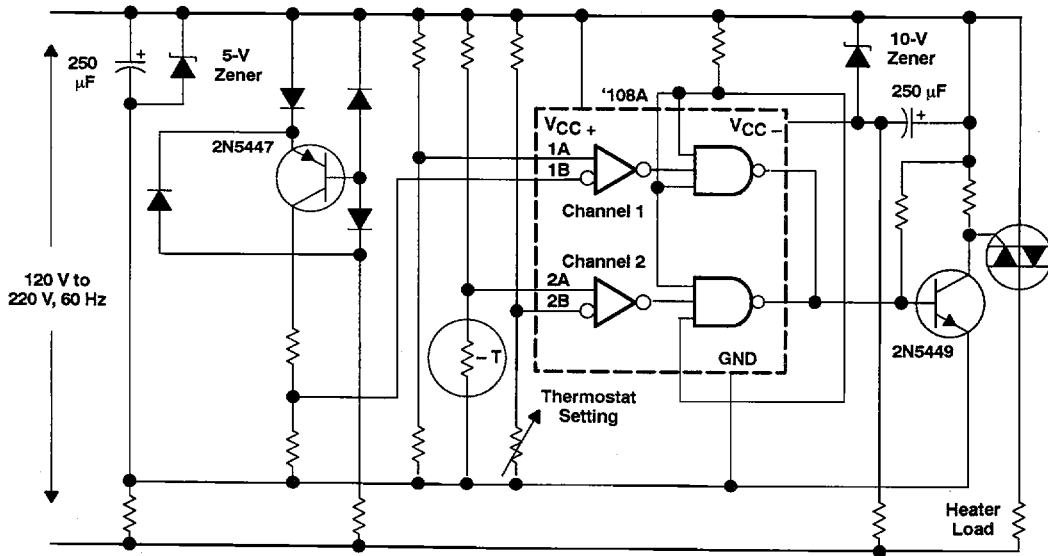


Figure 21. Zero-Voltage Switching Temperature Controller