



Home

About Us

Products

Brand Value

News

Recruitment

Contact Us



Please enter U&T part number for

Popular Searches: [UTH20C01](#) [UTH16P05](#) [UTG18T01](#) [UTG96T01](#) [UTT24C01](#)

Products List

[100 Base-T](#)

[1000 Base-T](#)

[2.5/5/10G Base-T](#)

→ [2.5G Base-T](#)

→ [2.5G](#)

→ [2.5G POE](#)

→ [2.5G UPOE](#)

→ [5G Base-T](#)

→ [10G Base-T](#)

Your present location: [Home](#) >> [2.5/5/10G Base-T](#) >> [2.5G Base-T](#) >> [2.5G](#) >> [UTV96C01](#)



Name: UTV96C01

No.: [UTV96C01](#)

Views : 39

Details



2.5G BASE-T SINGLE PORT MAGNETICS MODULE
P/N: UTV96T01 DATA SHEET

Feature

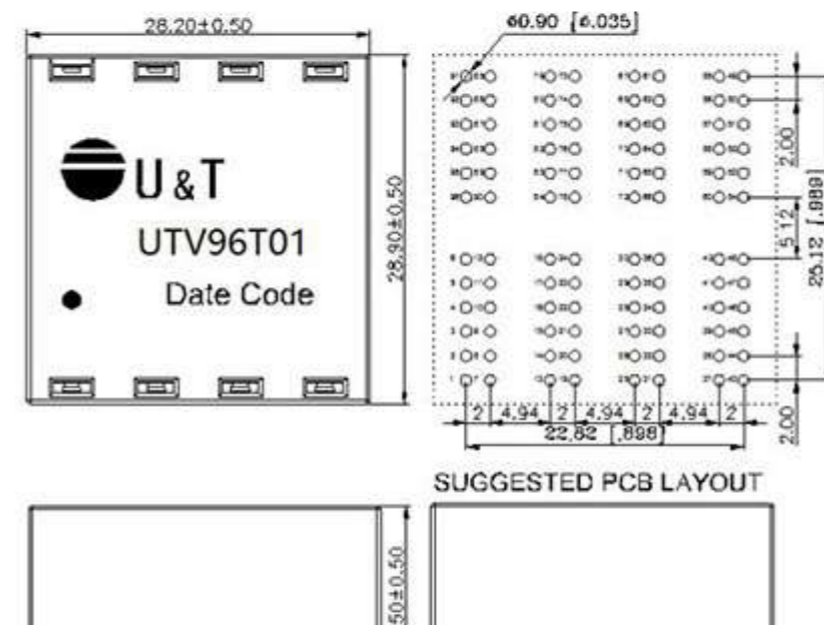
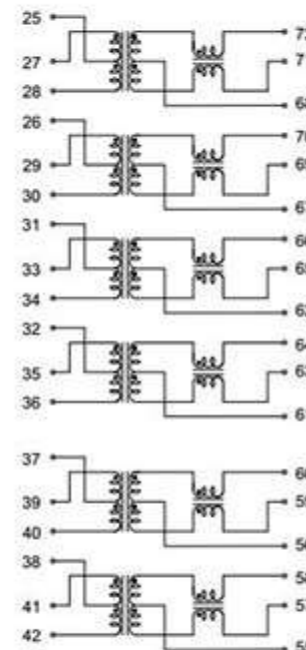
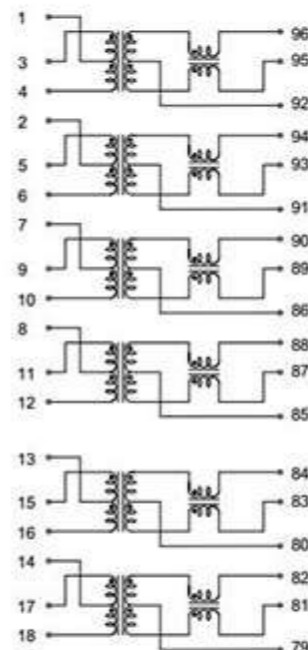
- Comply with RoHS requirements.
- Operating temperature range: 0°C to +70°C.

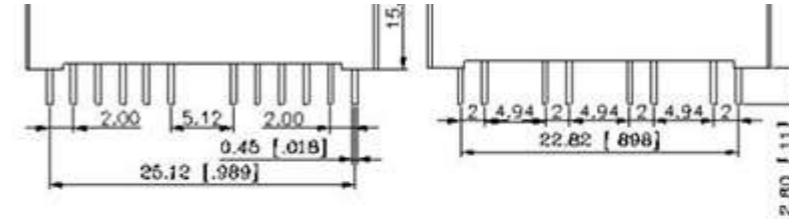
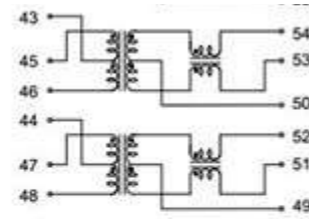
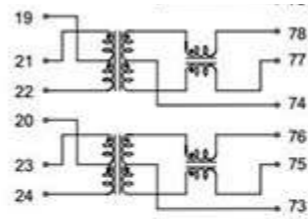
Electrical Specifications @ 25°C

OCL:	180uH Min. @100KHz/0.1V with 8mA DC Bias
Hi-POT :	1500Vrms
Turn Ratio:	1:1±3%
D.C.R:	1.4 ohm Max
Insertion Loss:	1.0dB Max@1-100MHz
	1.5dB Max@125MHz
Cross Talk :	30dB Min@1-125MHz
DM-CM Rejection:	35dB Min@1-125MHz
CM-CM Rejection	30dB Min@1-200MHz
Return Loss:	18dB Min @1-40MHz
	18-15log(f/40MHz)dB Min@40-200MHz

Schematic

Mechanical





Unless otherwise specified, all tolerances are ± 0.25

[Http://www.utlimited.com](http://www.utlimited.com)

E-mail: sales@utlimited.com

Tel: +86-752-2761008

Fax: +86-752-2761009

Key words :

LINK:

[U&T](#) [HL TECHNOLOGY GROUP LIMITED](#)



ADD: Honglin Industrial Park, Dongjiang Hi-tech Zone, Huicheng District, Huizhou City, Guangdong Province, P.R.C.
 Zip Code: 516000
 TEL: 0752-2761008
 FAX: 0752-2761009
 Email: sales@utlimited.com

About Us

[Company Profile](#)
[Development](#)
[Company Culture](#)
[Enterprise Honor](#)

Products

[2.5&5&10G Base-T](#)
[100 Base-T](#)
[1000 Base-T](#)

Brand Value

[R & D Advantage](#)
[Advantages](#)
[Quality](#)
[Certification](#)

News

[Company News](#)
[Industry Information](#)

Recruitment

[Positions](#)

Contact

[Contact Us](#)
[Map](#)
[Messages](#)