

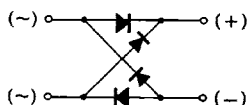
1(B, G, J)4B1

SILICON DIFFUSED TYPE RECTIFIER STACK

○ SINGLE PHASE BRIDGE RECTIFIER APPLICATIONS.

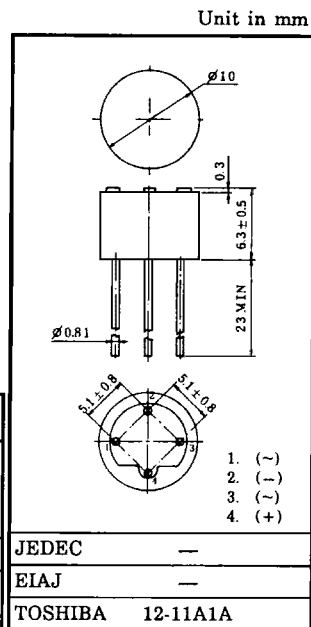
- Repetitive Peak Reverse Voltage : $V_{RRM} = 100 \sim 600V$
- Average Output Rectified Current : $I_O = 1.5A$ ($T_a = 50^\circ C$)

POLARITY



MAXIMUM RATINGS

CHARACTERISTIC		SYMBOL	RATINGS	UNIT
Repetitive Peak Reverse Voltage	1B4B1	V_{RRM}	100	V
	1G4B1		400	
	1J4B1		600	
Average Output Rectified Current		I_O	1.5	A
Peak One Cycle Surge Forward Current (Non Repetitive)		I_{FSM}	50 (50Hz)	A
			55 (60Hz)	
Junction Temperature		T_j	-40~150	$^\circ C$
Storage Temperature Range		T_{stg}	-40~150	$^\circ C$



Weight : 1.4g

ELECTRICAL CHARACTERISTICS ($T_a = 25^\circ C$)

CHARACTERISTIC	SYMBOL	TEST CONDITION	MIN.	MAX.	UNIT
Peak Forward Voltage	V_{FM}	$I_{FM} = 1.5A$	—	1.2	V
Repetitive Peak Reverse Current	I_{RRM}	$V_{RRM} = \text{Rated}, T_j = 150^\circ C$	—	0.4	mA

Note 1 : A value of one cell.

MARK

