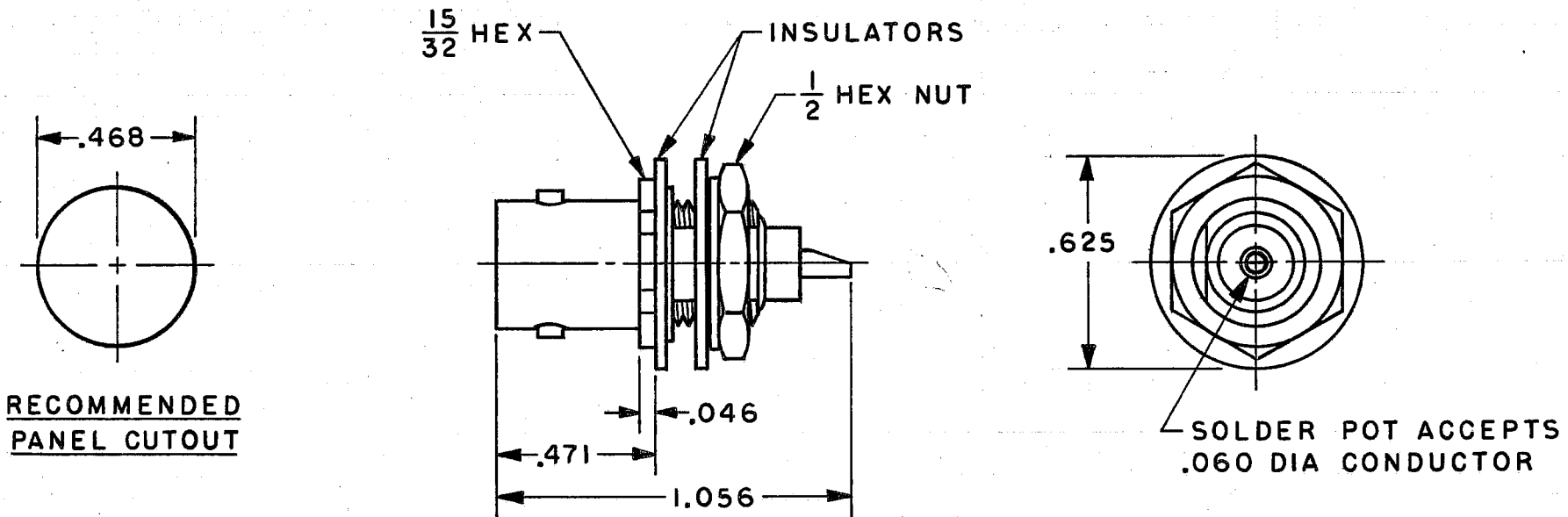


DASH NO	MOD NO	REMARKS	MAX PANEL THK
-1	BJ20K	50 OHM NON-INSULATED	.130
-3	BJ27K	50 OHM W/ INSULATING WSHR	.062

REVISIONS			1005-0877		SH 1
REV	EO	DESCRIPTION	DWN	APPROVED	DATE
A	5370	ADD -2 TO ITEM 3	JEH	<i>JEH</i>	11-25-81



6. RADIATION RESISTANCE: 18 MEGARADS
5. TEMPERATURE RATING: -400°F/+400°F
4. MAX PANEL THK: SEE TABLE
3. FEMALE BNC COAXIAL SOLDER POT JACK WITH KEL-F DIELECTRIC
2. FINISH: TFS-1A (NICKEL)
1. ALL DIM ARE REF IN INCHES

-3 SHOWN

QTY	DESCRIPTION		PART NUMBER	ITEM
	TOL UNLESS SPECIFIED .XX ± .XXX ± .XXXX ± ANGLES ±		<b>TROMPETER ELECTRONICS, INC.</b>	
			BJ20K/BJ27K	
DWN	JFD	11-7-79	MATERIAL	CODE IDENT
CHK	<i>JEH</i>	11-8-79	—	14949
ENGR	FBB	11-8-79	DRAWING NO.	1005-0877
APPR	<i>JEH</i>	11-8-79	SCALE 2/1	DATE 11-9-79
NEXT ASSY			SHEET	1 OF 2