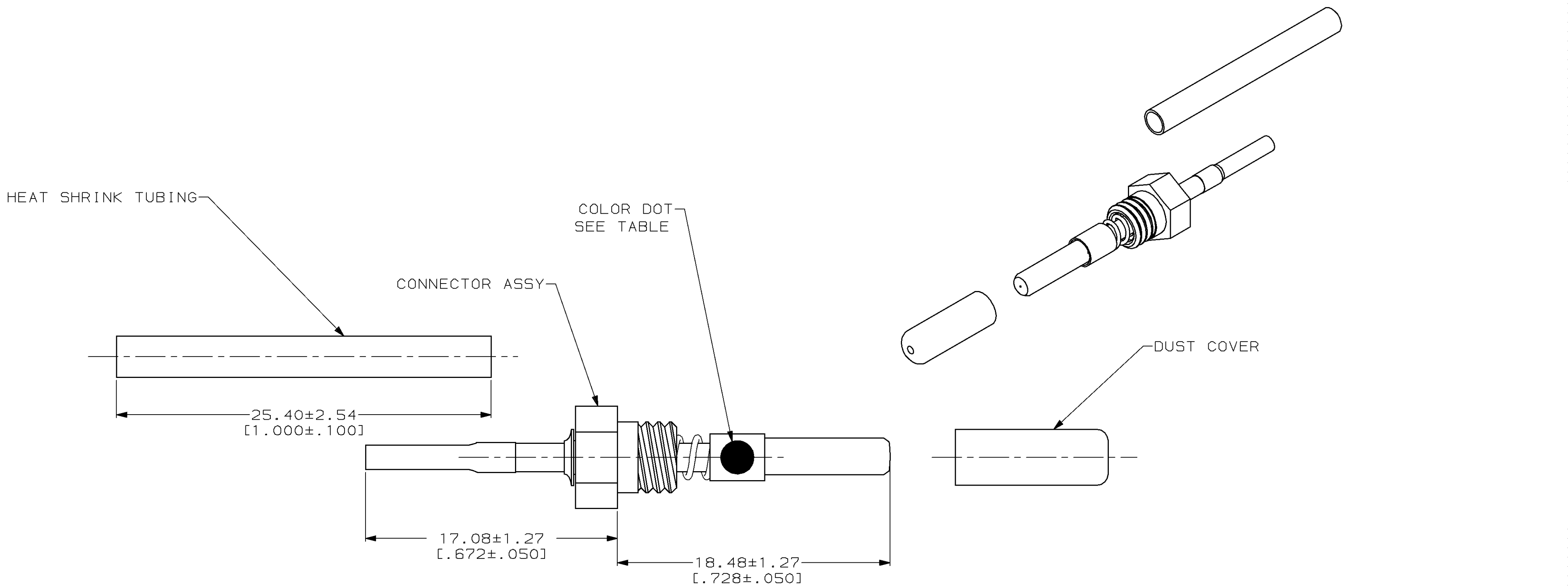


LOC	DIST	P	F	ZONE	LTR	DESCRIPTION	DATE	APPD
CE	16				A	REV PER NPR 95-137 & 0A00-0183-95	5-4-95	RH/LB



- 1. DIMENSIONS IN [ ] ARE IN INCHES
- 2 MATERIAL: CAPILLARY; ZIRCONIA BODY; STAINLESS STEEL SPRING; MUSIC WIRE NUT; 1/2 HARD BRASS, PLATING; ELECTROLESS NICKEL.
- 3 BULK PACKAGED 50 PER PACKAGE.

BLUE	BLUE	127µm	1-503186-2
BLUE	RED	126µm	1-503186-1
BLUE	YELLOW	125µm	1-503186-0
YELLOW	BLUE	127µm	503186-9
YELLOW	RED	126µm	503186-8
YELLOW	YELLOW	125µm	503186-7
3 BLUE	BLUE	127µm	503186-6
3 BLUE	RED	126µm	503186-5
3 BLUE	YELLOW	125µm	503186-4
3 YELLOW	BLUE	127µm	503186-3
3 YELLOW	RED	126µm	503186-2
3 YELLOW	YELLOW	125µm	503186-1

HS TUBING COLOR	COLOR DOT	FERRULE HOLE SIZE	PART NO
DO NOT SCALE PRINT. UNLESS SPECIFIED DIMENSIONS IN mm [INCHES] TOLERANCES ON :		DR 10-20-94 R.HILEMAN	
2 PLC DEC ± -		CHK 10-24-94 L.BARKUS	
3 PLC DEC ± -		APPD 10-24-94 L.BARKUS	
ANGLES ± -		NAME	
MATERIAL		AMP Incorporated Harrisburg, PA 17105-3608	
2		APPD 10-24-94 F.ABENDSCHEIN	
FINISH		PRODUCT SPEC	
-		APPLICATION SPEC	
-		SIZE	CAGE CODE
-		SCALE	DRAWING NO
-		5:1	00779
-			C=503186
-			SHEET 1 OF 1

METRIC

THIS DRAWING IS A CONTROLLED DOCUMENT FOR AMP INCORPORATED. IT IS SUBJECT TO CHANGE AND THE CONTROLLING ENGINEERING ORGANIZATION SHOULD BE CONTACTED FOR THE LATEST REVISION.