

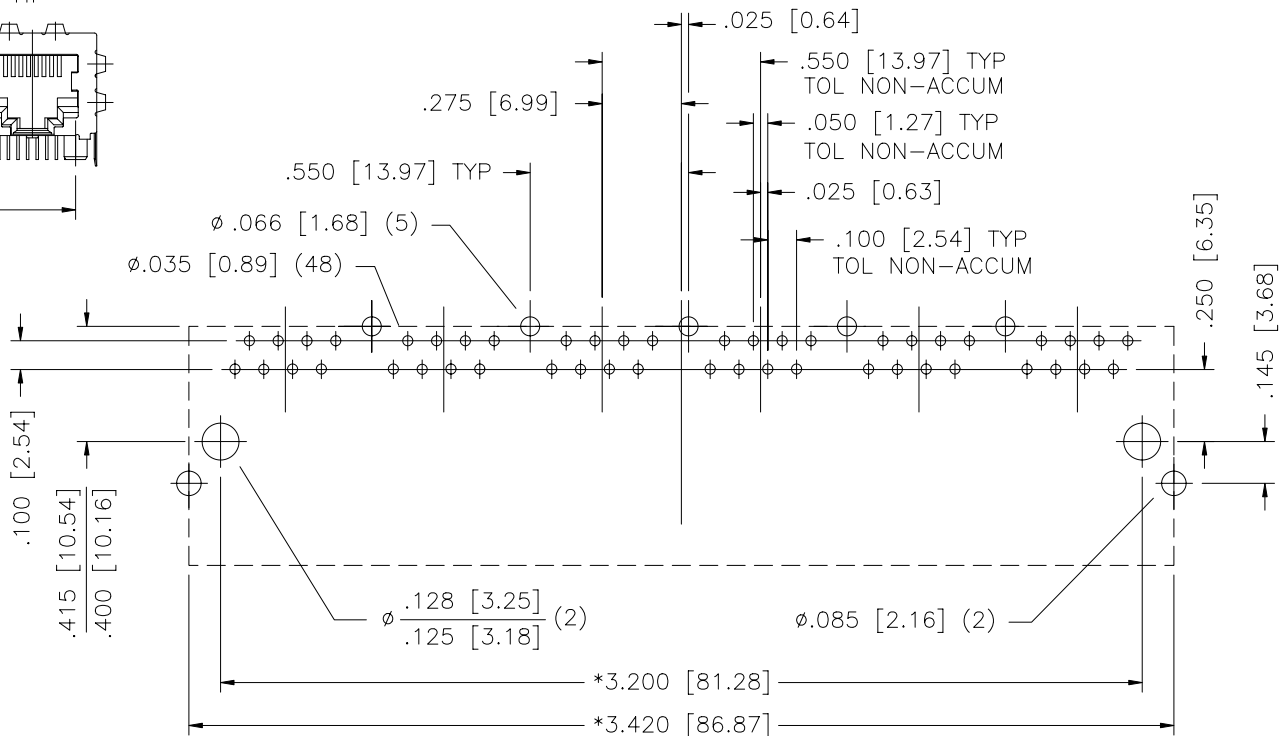
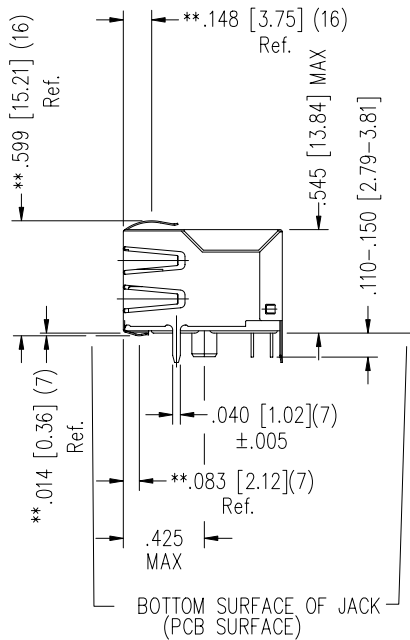
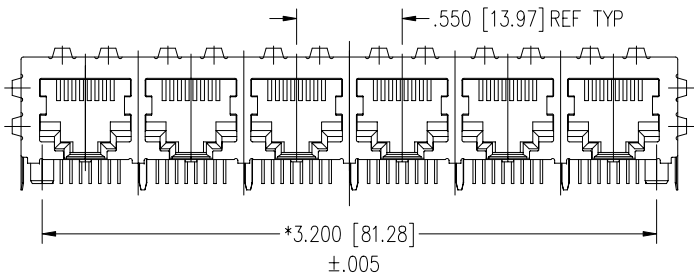
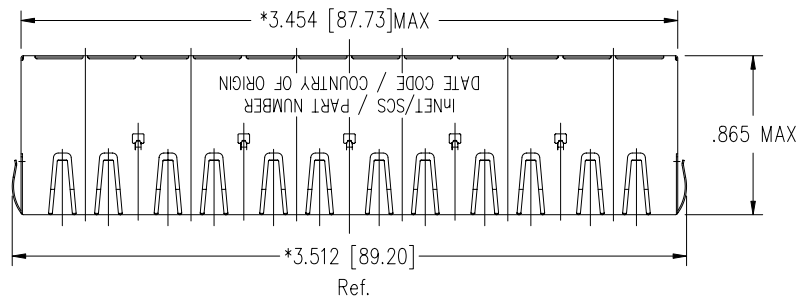
ELECTRICAL SPECIFICATIONS:

- 1.0 TURNS RATIO: (P3-P1) : (J2-J1) : 1 : 2.42 ± 3%  
(P7-P5) : (J5-J4) : 1 : 2.42 ± 3%
- 2.0 INDUCTANCE: (P3-P1) ; (P7-P5) : 1.2mH MIN. @ 0.1V, 100KHz
- 3.0 LEAKAGE INDUCTANCE: P3-P1 (WITH J2 AND J1 SHORT) : 0.5 MAX. @ 1MHz  
P7-P5 (WITH J5 AND J4 SHORT) : 0.5 MAX. @ 1MHz
- 4.0 INTERWINDING CAPACITANCE: (P3,P1) TO (J2,J1) : 35pf MAX @ 1MHz  
(P7,P5) TO (J5,J4) : 35pf MAX. @ 1MHz
- 5.0 DC RESISTANCE: (P7-P5) ; (P3-P1) : .8 ohms Max.
- 6.0 DIELECTRIC WITHSTAND: (P7-P5) TO (J5-J4) : 1500VAC  
(P3-P1) TO (J2-J1) : 1500VAC
- 7.0 RETURN LOSS : (J1-J2 & J4-J5) 100 OHM REF.  
51KHz TO 102KHz : 12dB MIN  
102KHz TO 2.048MHz : 18dB MIN  
2.048MHz TO 3.072MHz : 14dB MIN

NOTES

1.0 PINS WITHOUT ELECTRICAL CONNECTION ARE OMITTED.

InNet Technologies inc.  
<http://www.innet-tech.com>  
Stewart Connector Systems  
<http://www.stewartconnector.com>



P.C.B. RECOMMENDED HOLE LAYOUT  
 SEEN FROM COMPONENT SIDE  
 TOLERANCE  $\pm .003 [0.08]$  UNLESS OTHERWISE SPECIFIED

- NOTES:
- TOLERANCES COMPLY WITH F.C.C. DIMENSION REQUIREMENTS
  - DIMENSIONS SHOWN WITH "\*" TO BE CENTRAL ABOUT CENTER LINE
  - "\*\*\*" ON DIMENSION INDICATES HIGHEST POINT OF BEAM
  - PINS NOT ELECTRICALLY CONNECTED MAYBE OMITTED. SEE ELECTRICAL DRAWING FOR OMITTED PINS.
  - 50 MICRO-INCH SELECTIVE GOLD PLATING

