

PCS DUAL DIRECTIONAL COUPLERS



- High Directivity for Precise Measurement Needs
- System Transparent - Low VSWR, Low Insertion Loss
- Both 7/16 DIN and Type N Connector Versions
- Extremely Low IM Design

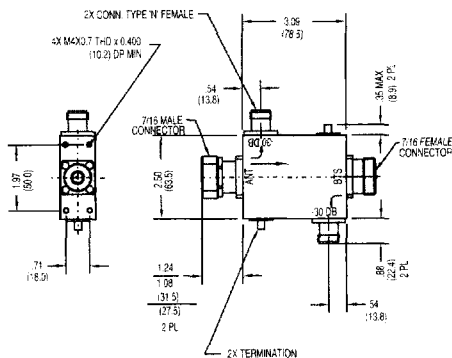
DESCRIPTION

Two new Narda dual directional couplers specifically designed for the PCS band are now available. The Model 7022-30 is for use in the transmit (Tx) antenna link and is designed specifically to achieve high directivity, typically 30 dB, and offer high peak and average power performance while offering extremely low intermodulation products. The Model 2022-30 is a low power equivalent for use in the receive (Rx) channel as a precise Rx signal monitoring port.

SPECIFICATIONS

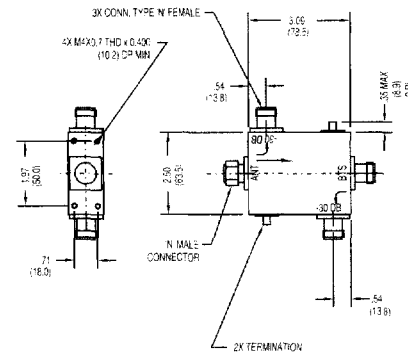
FREQ RANGE (MHz)	MODEL NO.	NOMINAL COUPLING (dB)	DIRECTIVITY dB (Min)	INSERTION LOSS dB (Max)	VSWR		FREQ. SENSITIVITY dB (Max)	POWER		CONNECTORS		WEIGHT Kg (Max)	APPLICATION
					PRIMARY LINE (Max)	SECONDARY LINE (Max)		AVERAGE (Max)	PEAK (Max)	MAIN LINE	BRANCH LINE		
1850-1990	7022-30	-30	30	0.2	1.10	1.20	±0.25	600W	6 kW	7/16	N	0.75	Tx & Rx
1850-1990	2022-30	-30	30	0.2	1.10	1.20	±0.25	600W	6 kW	N	N	0.75	Tx & Rx

OUTLINE DRAWINGS



TOL. XXX = +/- 0.04

7022-30



TOL. XXX = +/- 0.04

2022-30