

# Medium voltage voltage transformer JDZX22-10(3/6)C2G-A(N)

## Type designation

Type code	Designation	Net weight
J	Voltage transformer	22 kg
D	Single phase	
Z	Cast epoxy resin	
X	With residual voltage winding	
22	Design sequence	
10(3/6)	Rated voltage	
C2G-A(N)	Structure code	



## Technical data

Type	Rated transformation ratio (kV)	Accuracy combination	Rated output (VA)	Limit output (VA)	Rated insulation level (kV)
JDZX22-3C2G-A	3/√3/0.1/√3/0.1/3	0.2/3 P	10/50	300	3.6/25/40
JDZX22-3C2G-N		0.5/3 P	30/50		
JDZX22-6C2G-A	6/√3/0.1/√3/0.1/3	1.0/3 P	60/50		7.2/32/60
JDZX22-6C2G-N					
JDZX22-10C2G-A	10/√3/0.1/√3/0.1/3				12/42/75
JDZX22-10C2G-N					

Notes: 1. Special demands (if any) of user can be determined after consulting ABB Guangdong Sihui Instrument Transformer Co., Ltd.

2. The parameters on the table above are possible combinations, for more specific parameters please contact ABB Guangzhou Sihui Instrument Transformer Co., Ltd.

## Product description

The indoor JDZX22-10(3/6)C2G-A(N) voltage transformer of epoxy resin cast insulated and totally-enclosed structure is intended for power measurement, current monitoring and relay protection in the line of up to 12 kV and AC 50-60 Hz.

- It is applicable to air insulated switchgear
- It conforms to GB 1207 and IEC 60044-2 standards

## Service conditions

- Installation site: indoor
- Ambient temperature: -15°C ~ +40°C, daily average temperature not more than +30°C
- Altitude: does not exceed 1,000 m
- Humidity: the average value of the relative humidity measure for a period of 24 h does not exceed 95 percent
- Contamination severity: class II
- No severe shake or bump in the installation site
- The ambient air is not significantly polluted by dust, smoke, corrosive gases, vapours or salt

## Structure overview

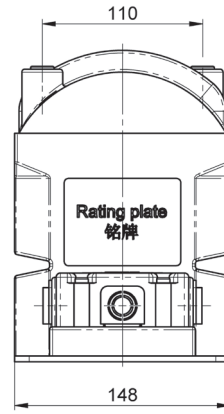
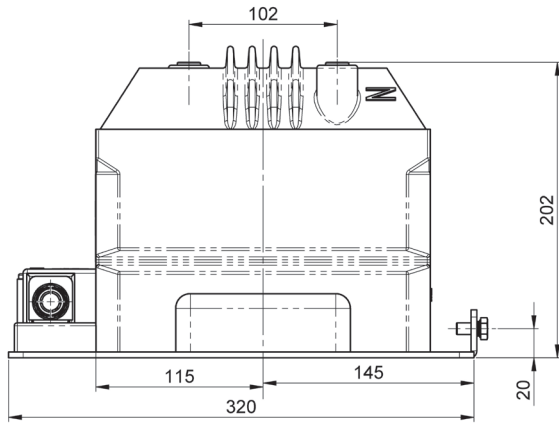
- This voltage transformer is epoxy resin cast insulated
- The primary outlet terminal identification is A and N; the secondary is a, n, da, dn and so on

## Technical data

- Rated voltage 10 kV, max. voltage 12 kV:  
Primary to secondary winding and to earth, power-frequency withstand voltage 42 kV/1 min  
Secondary to secondary winding and to earth, power-frequency withstand voltage 3 kV/1 min  
Induced withstand voltage of primary to secondary winding and to earth 30 kV/40 s
- Full lighting impulse withstand voltage 75 kV

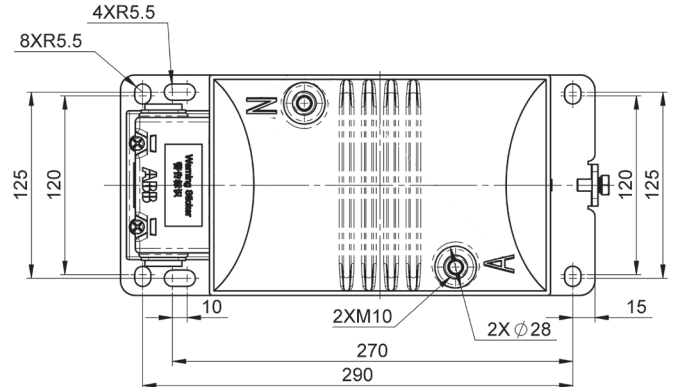
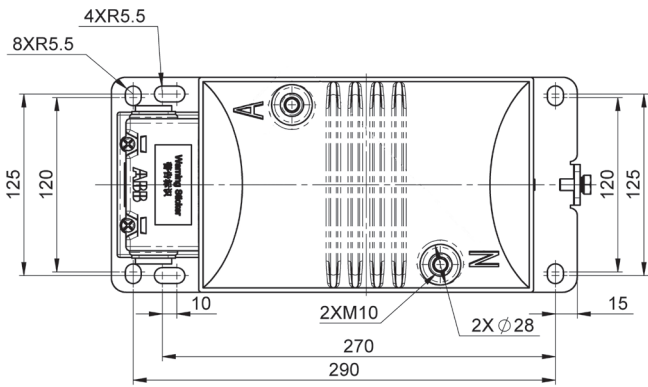
Other parameters are specified in accordance with GB 1207 and IEC 60044-2.

Profile and dimensions



JDZX22-10(3/6)C2G-A

JDZX22-10(3/6)C2G-N



Instrument transformer marking details

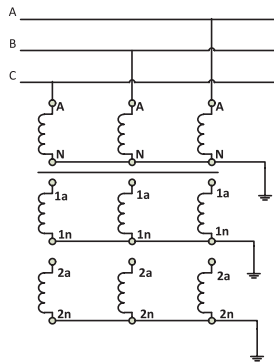
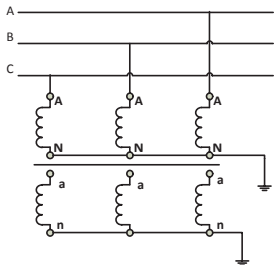


Figure 1 Single phase with one metering

Figure 2 Single phase with two meterings

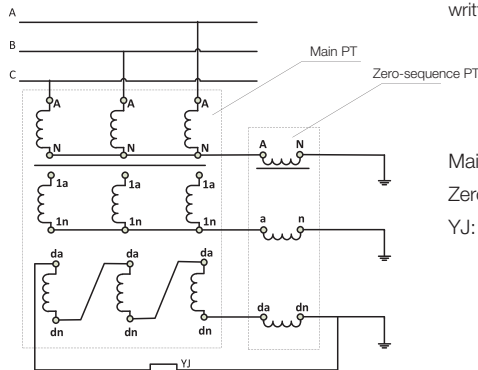
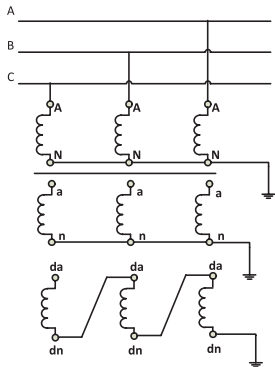


Figure 3 Single phase with one metering and residual winding

Figure 4 PT drawing for four PT combination is used in eliminate resonance

ABB Guangdong Sihui Instrument Transformer Co., Ltd.

18 Xinwang Road, Huanggang Community,  
Dongcheng Street, Sihui, Guangdong  
Postal code: 526238  
Tel: +86 758 360 1568  
Fax: +86 758 360 1972  
E-mail: sales-cnits@cn.abb.com

[www.abb.com.cn/mv](http://www.abb.com.cn/mv)

©Copyright 2011 ABB. We reserve all rights in this document and in the subject matter and illustrations contained therein. Any reproduction, disclosure to third parties or utilization of its content in whole or in parts is forbidden without ABB's prior written consent.

Main PT: JDZX22-10(3/6)C2G-A(N)  
Zero-sequence PT: JDZX22-10(3/6)C  
YJ: Protective relay