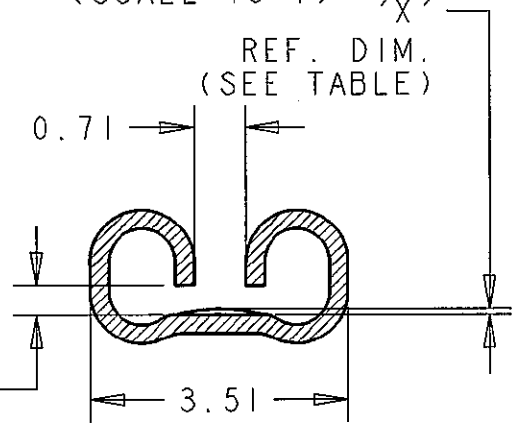
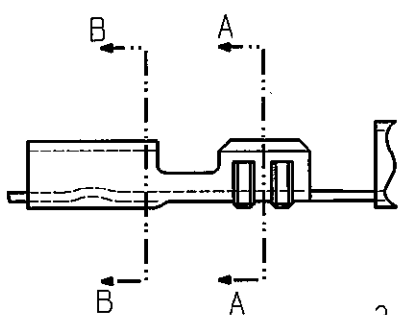
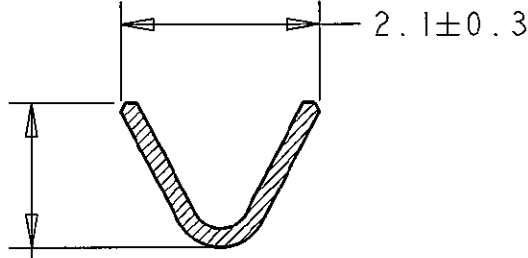
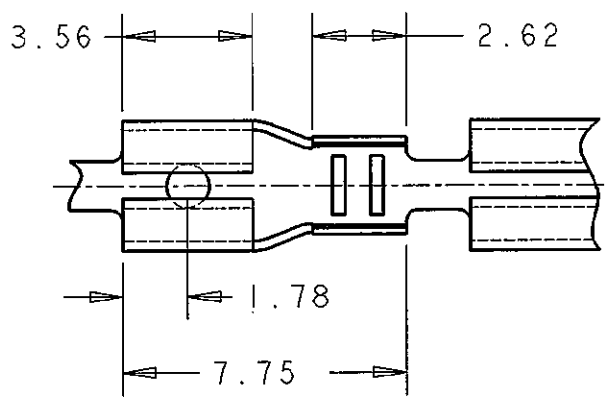


LDC		REVISIONS			
P	LTR	DESCRIPTION	DATE	DWN	APVD
	E				
R		EB00-0136-98	17-3-98	JPA	CK
S		EB00-0283-98	5-6-98	PB	JPA



TO FIT
2.79 (.110 SRS)
FASTON TAB
(SEE TABLE)
WIRE RANGE 24-20

SECTION B-B
(SCALE 10-1)

PART NUMBER	FINISH	TAB THICKNESS	'X' DIMPLE HT.
1-151614-7	SILVER PLATE	0.51	0.08
1-151614-6	NONE	0.46	NO DIMPLE
1-151614-5	PRE-TIN	0.46	NO DIMPLE
1-151614-4	NONE	0.46	0.13
1-151614-3	PRE-TIN	0.46	0.13
1-151614-2	NONE	0.33	0.13
1-151614-1	PRE-TIN	0.33	0.13
151614-9	PRE-TIN	0.33	0.08
151614-8	NONE	0.46	0.08
151614-7	PRE-TIN	0.46	0.08
151614-6	NONE	0.79	0.08
151614-5	PRE-TIN	0.79	0.08
151614-4	NONE	0.25	0.08
151614-3	PRE-TIN	0.25	0.08
151614-2	NONE	0.51	0.08
151614-1	PRE-TIN	0.51	0.08

THIS DRAWING IS UNPUBLISHED.
 RELEASED FOR PUBLICATION 16-MAY 1966
 ALL RIGHTS RESERVED.
 BY AMP INCORPORATED.
 COPYRIGHT 1966

DIMENSIONS IN m.m	DWN	D.R. TERRY	2-7-97	MATERIAL	0.25 THK BRASS	FINISH	SEE TABLE	
	CHR	FW-K	2-7-97	AMP of Great Britain Ltd, Stanmore, Middlesex, HA7 4RS.				
TOLERANCES UNLESS OTHERWISE SPECIFIED:	APVD	FW-K	2-7-97					NAME
	PRODUCT SPEC				.110 SRS MINI. FASTON RECEPTACLE SPECIAL SHORT			
LINEAR: - ±0.5 ANGULAR: - ±1°	APPLICATION SPEC				SIZE	A4	CAGE CODE	00779
	WEIGHT				DRAWING NO	C-151614		
THIRD ANGLE PROJECTION	CUSTOMER DRAWING				SCALE	5:1	SHEET	1 OF 1
					REV	S		