

POWER TRANSFORMER

- Operating and Storage temperature: -40°C to $+125^{\circ}\text{C}$
- Lead finish: Sn-Pb
- MSL: 1

Electrical Specifications @ 25°C

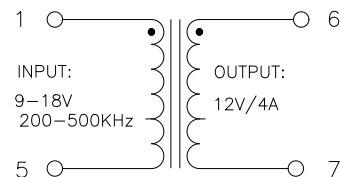
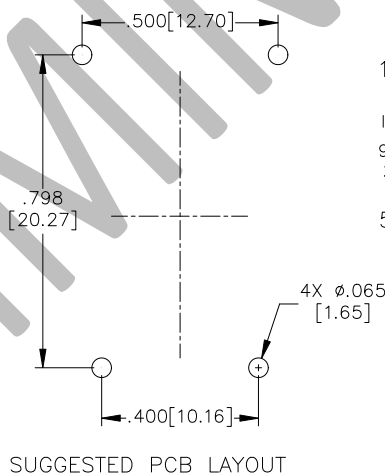
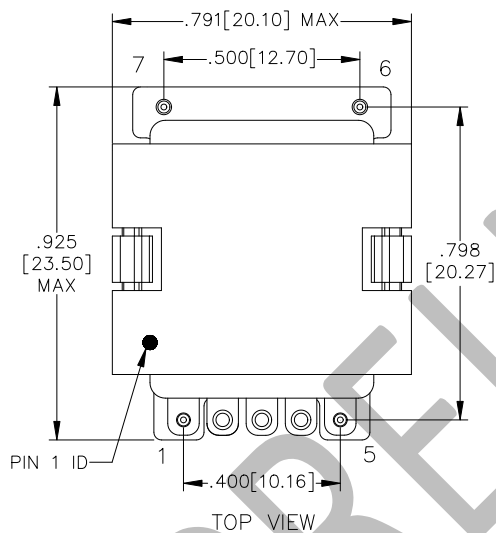
Part Number	Turns Ratio 100kHz 0.1Vrms ($\pm 2\%$)	Inductance 100kHz 0.1Vrms (uH nominal)	Leakage Inductance 100kHz 0.1Vrms (uH MAX)	DC Resistance (Ω MAX)		Dielectric Withstanding Voltage 6S (VDC)
	$\frac{(6-7)}{(1-5)}$	(1-5)	(1-5) with (6-7)shorted	(1-5)	(6-7)	(1-5) to (6-7)
PL4456	2	54.6	TBD	TBD	TBD	1800

Notes:

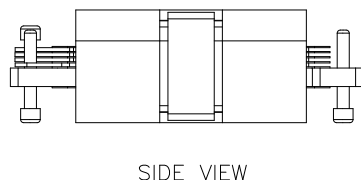
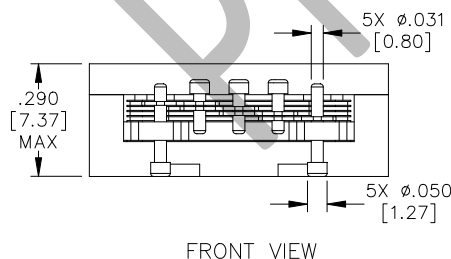
Optional Tape & Reel packaging can be ordered by adding a "T" suffix to the part number (ex: PL4456T)

Mechanical

Schematic

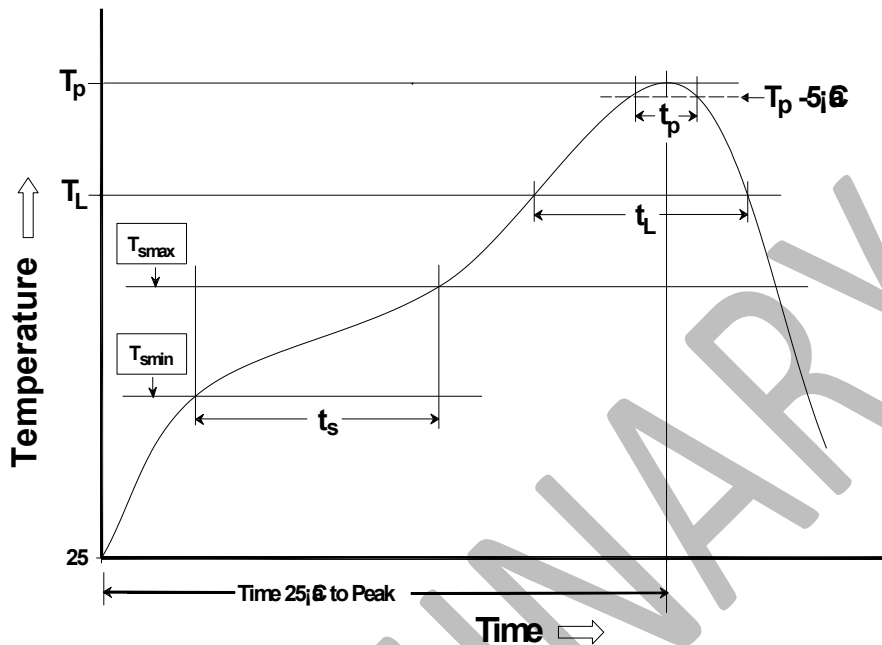


SCHEMATIC



Dimensions: inches[mm]
 Unless otherwise specified,
 all tolerances are $\pm .010$ [0.25]
 Weight.....TBD
 Tray.....TBD

Recommended Reflow Profile (Based on J-STD-020D)



T_{SMIN} (°C)	T_{SMAX} (°C)	T_L (°C)	T_P (°C MAX)	t_s (s)	t_L (s)	t_p (s MAX)	Ramp-up rate (T_L to T_P)	Ramp-down rate (T_P to T_L)	Time 25°C to peak temperature (s MAX)
100	150	183	220	60-180	60-150	20	3°C/s MAX	6°C/s MAX	360

Notes:

1. All temperatures measured on the package leads.
2. Maximum times of reflow cycle: 2.

For More Information

North America Headquarters

311 Sinclair Rd
Bristol, PA 19007-6812
U.S.A.

TEL: 215 781 6400
Fax: 215 781 6403

Europe Sales Team

Franck Millerand
TEL: (33) 642 025 747

Cackett Andy
TEL:+44(0)7787 607690

Asia Sales Team

Leo Pan
TEL: (86) 135 4305 5204

Thomas Vacher
TEL: (65) 9298 8316

Steven Wang
TEL:(86) 189 0176 8824

India Regional Sales Team

Sriram Krishna
TEL: (91) 984 5017 459

For Inquiries: prodinfo_military@pulserruggedized.com

Performance warranty of products offered on this data sheet is limited to the parameters specified. Data is subject to change without notice. Other brand and product names mentioned herein may be trademarks or registered trademarks of their respective owners. © Copyright, 2019. PulseR, LLC. All rights reserved.