

PLEASE CHECK WWW.MOLEX.COM FOR LATEST PART INFORMATION

Part Number: [0732762360](#)
Status: **Active**
Overview: Type N RF Connectors
Description: 50 Ohms, N Plug Straight for RG-58 Cable

Documents:

[Drawing \(PDF\)](#) [RoHS Certificate of Compliance \(PDF\)](#)

General

Product Family	RF/Coax Connectors
Series	73276
Overview	Type N RF Connectors
Product Name	N
Style	Cable
Taxonomy	RF / Coaxial Connectors
Type	Medium
UPC	884982643222
Wire/Cable Type	RG-58

Physical

Gender	Plug
Keying to Mating Part	None
Net Weight	33.072/g
Orientation	Straight
PCB Mounting	N/A
Packaging Type	Tray
Panel Mount	No
Panel Mount Method	N/A

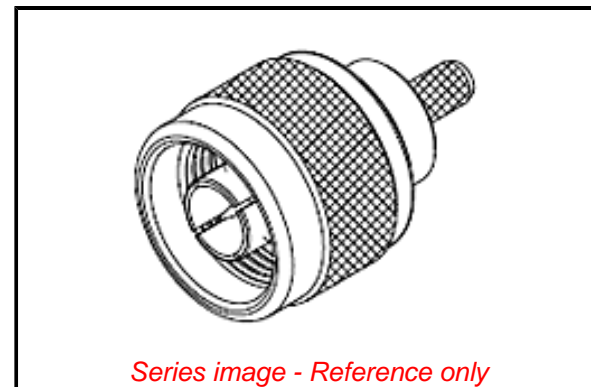
Electrical

Frequency	11 GHz
Impedance	50Ω
Power / Voltage	VOLTAGE: 1000 Vrms@Sea Level

Material Info

Reference - Drawing Numbers

Sales Drawing SD-73100-0042-001, SD-73276-236-001



Series image - Reference only

EU ELV

Not Relevant

EU RoHS

Compliant with Exemption 6(c)

REACH SVHC

Contained per -
D(2022)4187-DC (10
June 2022)

Lead

Halogen-Free

Status

Low-Halogen

For more information, please visit [Contact US](#)

China ROHS

ELV

RoHS Phthalates

China RoHS

50 Image

Not Relevant

Not Contained

Search Parts in this Series

[73276 Series](#)

PLEASE CHECK WWW.MOLEX.COM FOR LATEST PART INFORMATION