



Wire & Cable > Hook Up Wire



Cable Type: **Spec 44**

Voltage Rating: **600 V**

Wire Color: **Black**

Insulation Material: **Modified Radiation Cross-linked PVDF**

Conductor Material: **Tin-Coated Copper**

Features

Product Type Features

Cable Style	Primary
Product Type	Cable
Product Classification	Cable - High Performance - Spec 44, 55 & RCW
Cable Type	Spec 44

Configuration Features

Number of Conductors	1
Number of Strands	37

Electrical Characteristics

Voltage Rating	600 V
----------------	-------

Body Features

Wire Color	Black
Insulation Material	Modified Radiation Cross-linked PVDF
Conductor Material	Tin-Coated Copper

Dimensions

Overall Outside Diameter	3.94 mm[.155 in]
Wire Diameter	3.94 mm[.155 in]
Conductor Diameter	2.81 mm[.111 in]



Strand Size	26 AWG
-------------	--------

Wire Size	10 AWG
-----------	--------

Usage Conditions

Operating Temperature Range	-65 – 150 °C
-----------------------------	--------------

Other

Wire Source	United States
-------------	---------------

Product Compliance

[For compliance documentation, visit the product page on TE.com>](#)

EU RoHS Directive 2011/65/EU	Compliant
------------------------------	-----------

EU ELV Directive 2000/53/EC	Compliant
-----------------------------	-----------

China RoHS 2 Directive MIIT Order No 32, 2016	No Restricted Materials Above Threshold
---	---

EU REACH Regulation (EC) No. 1907/2006	Current ECHA Candidate List: JUN 2020 (209) Candidate List Declared Against: JAN 2019 (197) Does not contain REACH SVHC
--	---

Halogen Content	Out of Scope - excluded from Halogen requirements
-----------------	---

Solder Process Capability	Not applicable for solder process capability
---------------------------	--

Product Compliance Disclaimer

This information is provided based on reasonable inquiry of our suppliers and represents our current actual knowledge based on the information they provided. This information is subject to change. The part numbers that TE has identified as EU RoHS compliant have a maximum concentration of 0.1% by weight in homogenous materials for lead, hexavalent chromium, mercury, PBB, PBDE, DBP, BBP, DEHP, DIBP, and 0.01% for cadmium, or qualify for an exemption to these limits as defined in the Annexes of Directive 2011/65/EU (RoHS2). Finished electrical and electronic equipment products will be CE marked as required by Directive 2011/65/EU. Components may not be CE marked. Additionally, the part numbers that TE has identified as EU ELV compliant have a maximum concentration of 0.1% by weight in homogenous materials for lead, hexavalent chromium, and mercury, and 0.01% for cadmium, or qualify for an exemption to these limits as defined in the Annexes of Directive 2000/53/EC (ELV). Regarding the REACH Regulation, the information TE provides on SVHC in articles for this part number is based on the latest European Chemicals Agency (ECHA) 'Guidance on requirements for substances in articles' posted at this URL: <https://echa.europa.eu/guidance-documents/guidance-on-reach>

Compatible Parts



TE Model / Part # 0662-207-0882
CONT SOC ASSY

Customers Also Bought



TE Model / Part #8-325150-2
PIDG FLANGED SPADE TONGUE
TERMINALS



TE Model / Part #8-34122-1
TERM,SOLIS R 16-14 8



TE Model / Part #5747302-1
50 RCPT SP/MS CNUT



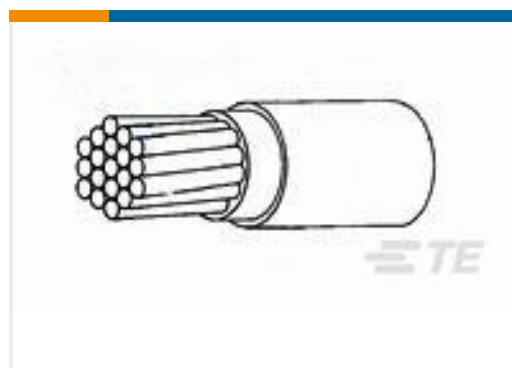
TE Model / Part #8-52947-1
PG SP SPD 22-16COMM 22-18MIL 4



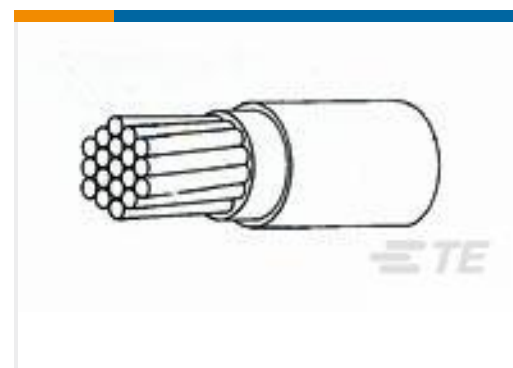
TE Model / Part #4-1393100-3
KCP-5-2500=KA/KB/KC/KR



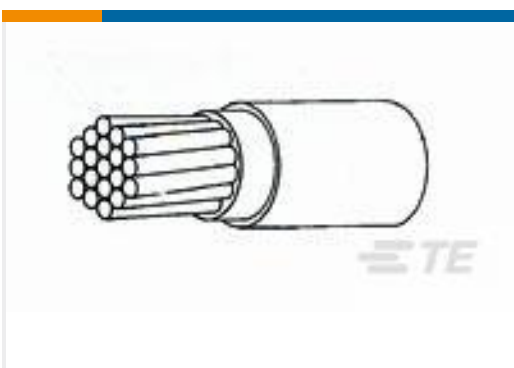
TE Model / Part #YDTS20F23-53SA0000
D38999: Square Flange, 23-53 insert



TE Model / Part #265060-000
44A0811-20-2



TE Model / Part #265103-000
44A0811-20-8



TE Model / Part #265153-000
44A0811-16-8



TE Model / Part #DTS26F23-53PA
PLUG ASSY

Documents

Product Drawings

[44A0811-10-0](#)

English

Datasheets & Catalog Pages

[1654025_Sec9_SPEC44](#)

English

[Raychem Wire and Cable Quick Reference Guide](#)

English



Product Specifications

Product Specification

English