

LT205A

GaAs Hall IC for Fan Motor with Variable Speed by Temperature

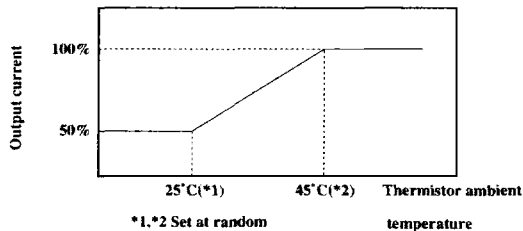
■ Features

- Space saving mounting due to combining a Hall device and a driver IC in a small 12-pin SOP package
- Wind control depending on calorific value
- Low noise
- With automatic reset and alarm output function when a motor is locked
- Surface mount type (Taping: 1,000 pcs/reel)

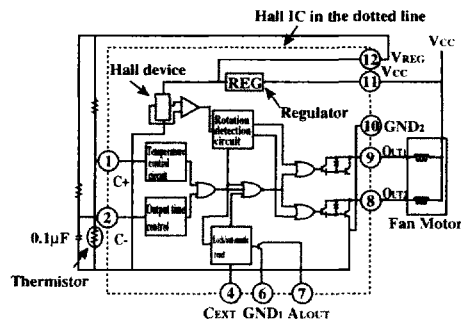
■ Applications

- Brushless fan motor
- Cooling fan motor for personal computers, word processors, etc.
- Directly cooling fan for cooling fin, PCB, etc.

■ Motor drive current vs. temperature (Example)



■ Block diagram



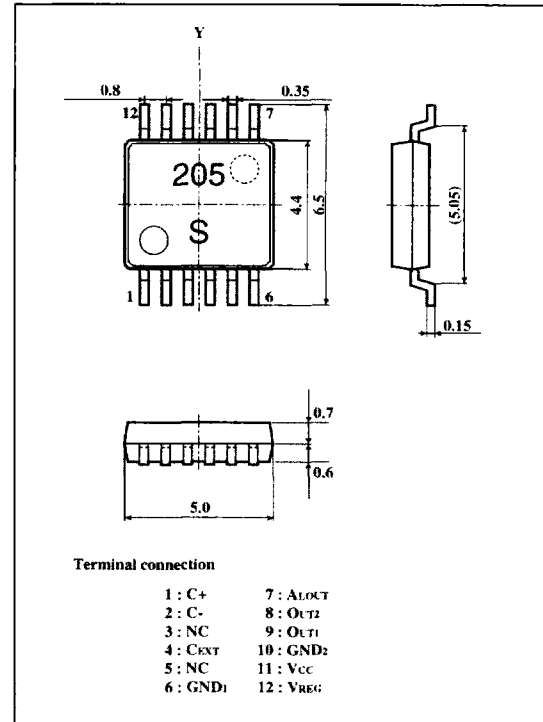
■ Electrical Characteristics

(T_a=25°C)

Parameter	Symbol	Conditions	MIN.	TYP.	MAX.	Unit
Operating supply voltage	V _{cc}		8	-	28	V
Output current	I _{OUT}		-	-	(0.5)	A
Output saturation voltage	V _{OUT}	V _{cc} =12V, I _o =0.5A	-	-	(1.5)	V
Output cut-off current	I _{oc}	V _o =55V	-	-	30	µA
Operating magnetic flux density	B ₁		-10	-	-	mT
	B ₂		-	-	10	mT

■ Outline Dimensions

(Unit : Fmm)



As for dimensions of tape-packaged products, refer to page 44 .

SHARP

In the absence of confirmation by device specification sheets, SHARP takes no responsibility for any defects that may occur in equipment using any SHARP devices shown in catalogs, data books, etc. Contact SHARP in order to obtain the latest device specification sheets before using any SHARP device.