



Raychem

TE Internal #: 2820693001

Hook Up Wire, Spec 44, 600V Voltage Rating, White Wire Color, 16AWG Wire Size, Operating Temperature Range -65 – 150 °C

[View on TE.com >](#)

Wire & Cable > Hook Up Wire



Cable Type: **Spec 44**

Voltage Rating: **600 V**

Wire Color: **White**

Insulation Material: **Modified Radiation Cross-linked PVDF**

Conductor Material: **Silver-Coated Copper**

## Features

### Product Type Features

Cable Type	Spec 44
------------	---------

### Electrical Characteristics

Voltage Rating	600 V
----------------	-------

### Body Features

Wire Color	White
Insulation Material	Modified Radiation Cross-linked PVDF
Conductor Material	Silver-Coated Copper

### Dimensions

Wire Size	16 AWG
-----------	--------

### Usage Conditions

Operating Temperature Range	-65 – 150 °C
-----------------------------	--------------

## Product Compliance

[For compliance documentation, visit the product page on TE.com>](#)

EU RoHS Directive 2011/65/EU	Compliant
EU ELV Directive 2000/53/EC	Compliant
China RoHS 2 Directive MIIT Order No 32, 2016	No Restricted Materials Above Threshold
EU REACH Regulation (EC) No. 1907/2006	



Current ECHA Candidate List: JUN 2020  
(209)  
Candidate List Declared Against: JUN 2020  
(209)  
Does not contain REACH SVHC

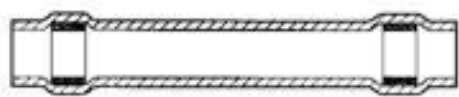
Halogen Content  
Out of Scope - excluded from Halogen requirements

Solder Process Capability  
Not applicable for solder process capability

Product Compliance Disclaimer

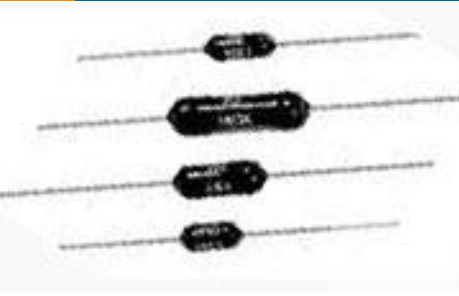
This information is provided based on reasonable inquiry of our suppliers and represents our current actual knowledge based on the information they provided. This information is subject to change. The part numbers that TE has identified as EU RoHS compliant have a maximum concentration of 0.1% by weight in homogenous materials for lead, hexavalent chromium, mercury, PBB, PBDE, DBP, BBP, DEHP, DIBP, and 0.01% for cadmium, or qualify for an exemption to these limits as defined in the Annexes of Directive 2011/65/EU (RoHS2). Finished electrical and electronic equipment products will be CE marked as required by Directive 2011/65/EU. Components may not be CE marked. Additionally, the part numbers that TE has identified as EU ELV compliant have a maximum concentration of 0.1% by weight in homogenous materials for lead, hexavalent chromium, and mercury, and 0.01% for cadmium, or qualify for an exemption to these limits as defined in the Annexes of Directive 2000/53/EC (ELV). Regarding the REACH Regulation, the information TE provides on SVHC in articles for this part number is based on the latest European Chemicals Agency (ECHA) 'Guidance on requirements for substances in articles' posted at this URL: <https://echa.europa.eu/guidance-documents/guidance-on-reach>

### Compatible Parts



TE Model / Part # C60253-000  
D-200-84

### Customers Also Bought




TE Model / Part #8-1879642-3  
H8 1K11 0.1% 5PPM



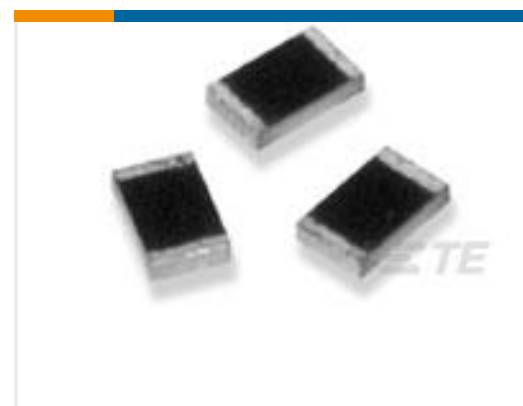
TE Model / Part #F733323001  
55D0111-22-9



TE Model / Part #3-87962-1  
64 MODII HORZ DR CE 100CL/115



TE Model / Part #2823013001  
44A0211-8-9

TE Model / Part #3476303001  
55A0812-22-0TE Model / Part #6-146459-4  
14 MODII HDR SRST UNSHRD STKGTE Model / Part #1-1617138-0  
MAW-26S = RELAYTE Model / Part #1614379-5  
RN 0805 12K 0.1% 10PPM CUT  
LENGTHTE Model / Part #5-1676274-4  
RN 0805 27K 0.1% 10PPM 1K RLTE Model / Part #1879281-1  
RP 2A 309K 0.1% 15PPM CUT LENGTH

## Documents

### Product Drawings

[44A0112-16-9](#)

English

### Datasheets & Catalog Pages

[1654025\\_Sec9\\_SPEC44](#)

English

[Raychem Wire and Cable Quick Reference Guide](#)

English