

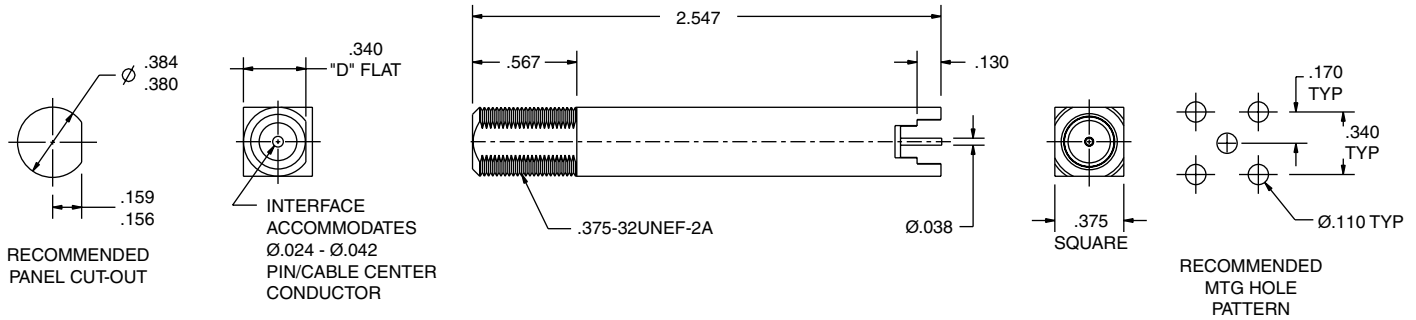
CARRIER CLASS HIGH FREQUENCY "F" CONNECTORS

PRINTED CIRCUIT BOARD "F" CONNECTORS

CBJ130L

Circuit Board Mount

"F" Style Long Receptacle

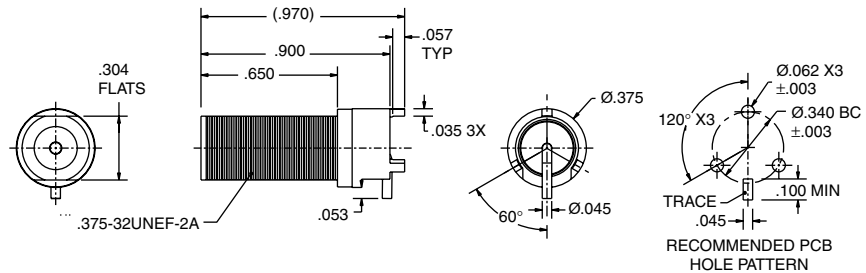


105-2137

"F" Series Three Post Circuit Board

Mount Receptacle with Special Right

Angle Contact

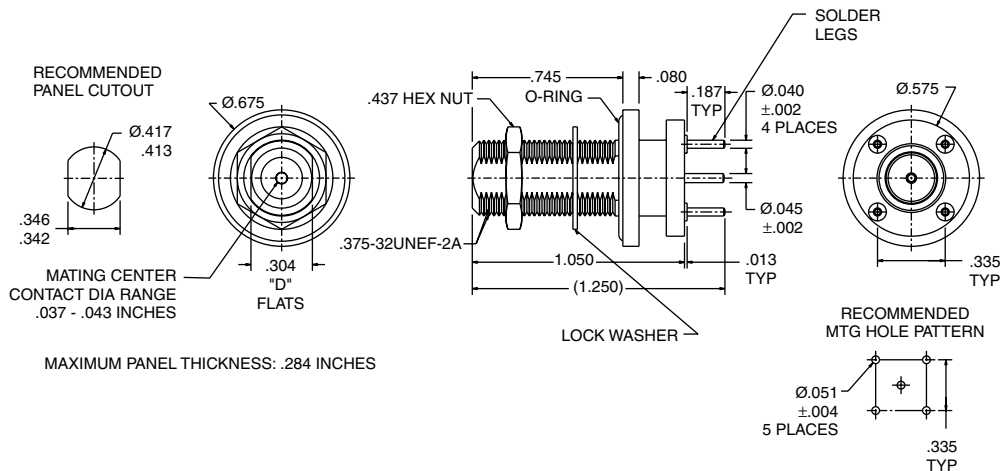


MATING CENTER CONTACT RANGE $\phi .024 - .042$

CBB1139

"F" Series, Bulkhead, Circuit

Board Mount Receptacle



MAXIMUM PANEL THICKNESS: .284 INCHES