

4

3

2

1

THIS DRAWING IS UNPUBLISHED. RELEASED FOR PUBLICATION .19 .
 © COPYRIGHT 19 BY AMP INCORPORATED. ALL RIGHTS RESERVED.

LOC	DIST	REVISIONS			
P	LTR	DESCRIPTION	DATE	DWN	APVD
CE	16	F	REVISED PER EC 0A00-0011-00	13JAN00	TG MB

- 1 MATERIAL:
 BODY: THERMOPLASTIC
 CAPILLARY: ZrO
 STRAIN RELIEF: THERMOPLASTIC ELASTOMER, V-0
- 2 FINISH:
 CRIMP EYELET: TIN
- 3 BULK PACKAGE, 500 PIECES.
- 4 FOR USE WITH 3.0mm "LOOSE-JACKETED" CABLE.
- 5 CONTAINS NO STRAIN RELIEFS.
- 6 NO AMP LOGO.
- 7 INCLUDES BARE BUFFER BOOT.

D

D

C

C

C

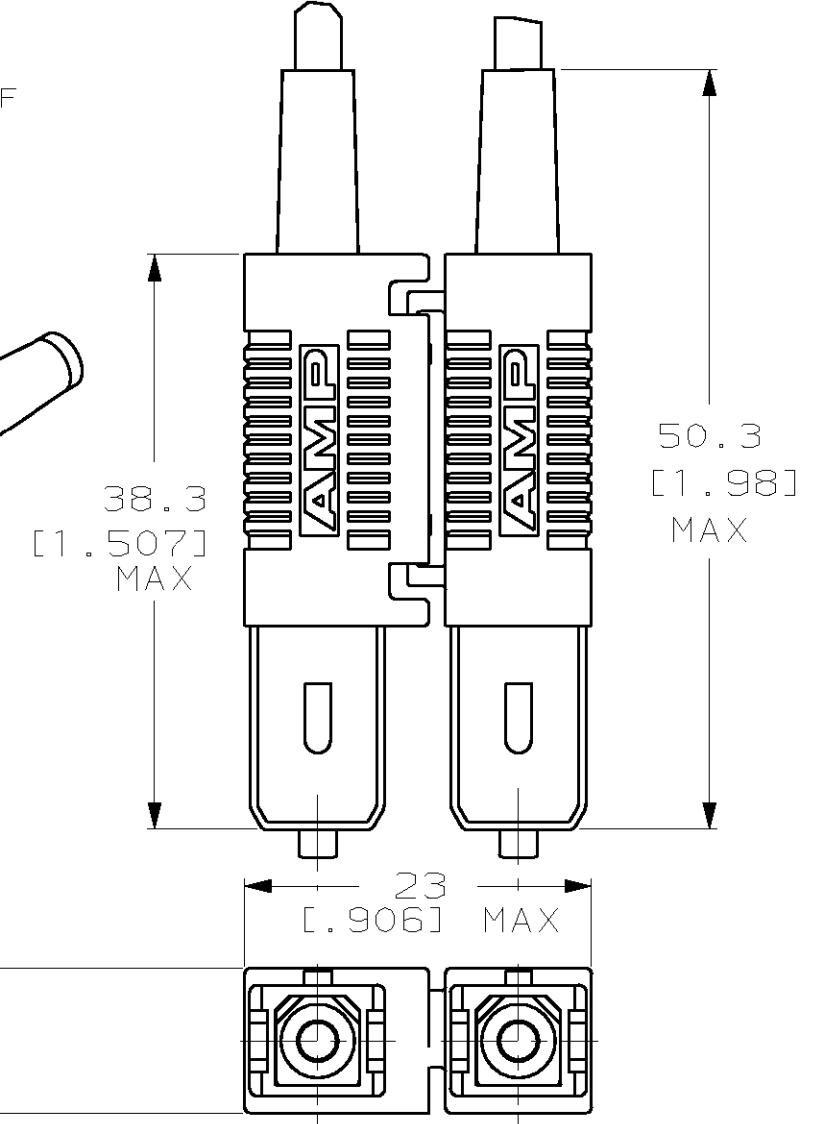
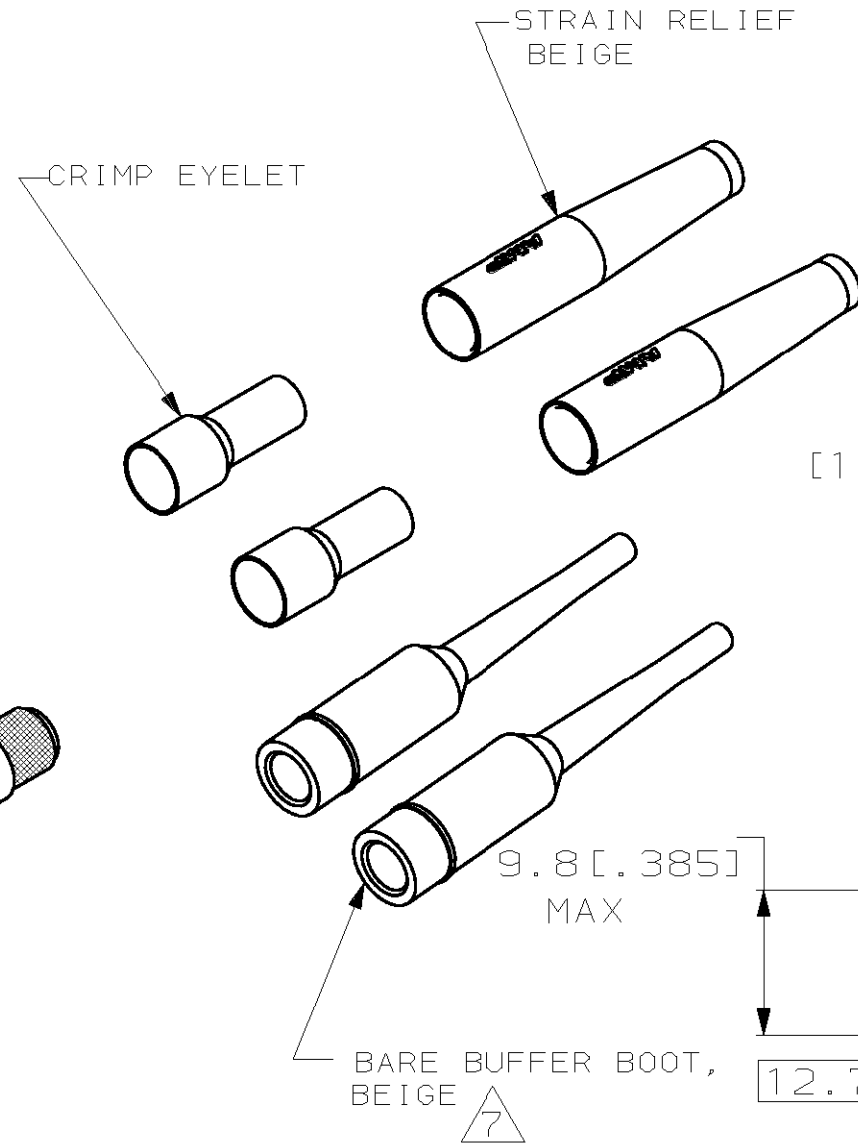
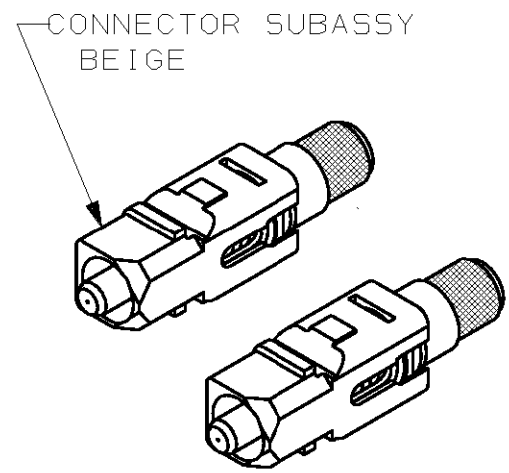
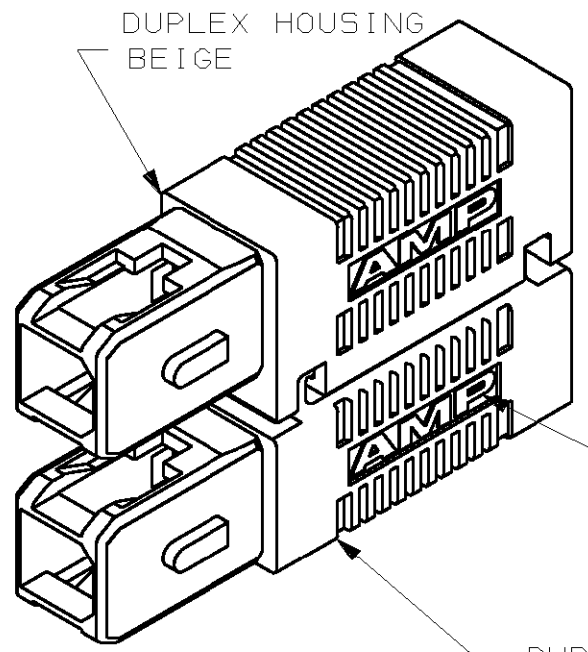
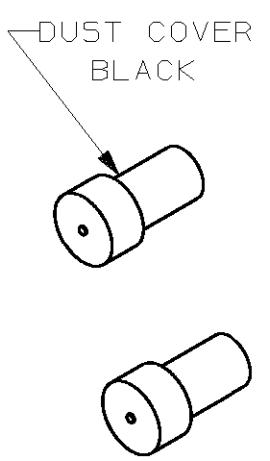
C

B

B

A

A



6	5	3	504657-6
		7	504657-5
		6	504657-4
5	3		504657-3
		3	504657-2
			504657-1
PART NUMBER			

THIS DRAWING IS A CONTROLLED DOCUMENT FOR AMP INCORPORATED. IT IS SUBJECT TO CHANGE AND THE CONTROLLING ENGINEERING ORGANIZATION SHOULD BE CONTACTED FOR THE LATEST REVISION.		DWN B BRIGGS 7-24-95 CHK T.FAWCETT 7-24-95 APVD D.STAKEM 7-24-95 PRODUCT SPEC APPLICATION SPEC WEIGHT - CUSTOMER DRAWING	AMP AMP Incorporated Harrisburg, PA 17105-3608 NAME AMP SC DUPLEX CONNECTOR KIT, MULTIMODE, ONE PIECE, 3.0mm SIZE A3 CAGE CODE 00779 DRAWING NO C-504657 SCALE 2:1 SHEET 1 OF 1 REV F
DIMENSIONS: mm [INCHES]	TOLERANCES UNLESS OTHERWISE SPECIFIED: 0 PLC ±- 1 PLC ±- 2 PLC ±0.13 [.005] 3 PLC ±- 4 PLC ±- ANGLES ±1° FINISH	MATERIAL 1	FINISH 2

Current Brand View	View All Tyco Electronics Brands Click to activate links to all other products
AMP	

Fiber Optic Products **SC Connectors** **SC Connector****AMP****504657-1** -- 7 of 8 products**Active**[Active](#)**(Tyco Electronics P/N: 504657-1)**

Previous	Next	Sales Information	AMP ACES	Step Search Screen
			Related Documents	General Information
			Pricing	Product Availability

Please use the customer drawing for all design activity.

- Customer Drawing: **504657**, Rev. F
Document Title: AMP SC DUPLEX CONNECTOR KIT,
MULTIMODE, ONE PIECE, 3.0mm

[205954.pdf](#) [205954.pdf](#) (52K)

The photographs and/or line drawings below are representative images of a product for viewing purposes only.

[Product Photo](#)

Searchable Features:

Brand:	AMP
Product Type:	Connector
Connector Type:	Duplex SC
Mode:	Multimode
Strain Relief:	With
EMI Shielded Flange:	No
Epoxyless:	No
Pre-Polished:	No
Connector Style:	One Piece
Cable Diameter (mm [in]):	3.00 [.120]
Hole Size:	125 µm

Other Properties:

Operating Temperature:	-40° to +85°C
With Dust Cover:	Yes
Plug Body Color:	Beige
Crimp Eyelet Material:	Copper
Crimp Eyelet Finish:	Tin
Strain Relief Material:	Thermoplastic Elastomer
Comment:	Without Bare Buffer Boot

- [Home](#)
- [Part Number Search](#)
- [Text Search](#)
- [Alternate Part Search](#)
- [Multiple Part Comparison](#)
- [Alphabetical Search](#)
- [Brand Search](#)
- [Industry Product Search](#)
- [Product Type Search](#)
- [Product Family Search](#)
- [Competitor Cross Reference](#)
- [Document Number Search](#)
- [Lead Free Solutions](#)
- [Help/Glossary](#)

Housing Color:	Beige
NETCONNECT Select System:	No
AMP Logo:	With

[Copyright](#) and [Privacy Statement](#)

Visit [Tyco International, Ltd.](#)

[Products](#) | [eCatalog](#) | [Brands](#) | [Industries](#) | [eCommerce](#) | [Customer Service](#) | [About](#) | [Home](#)