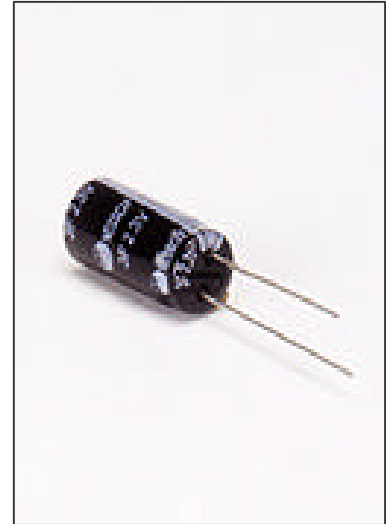
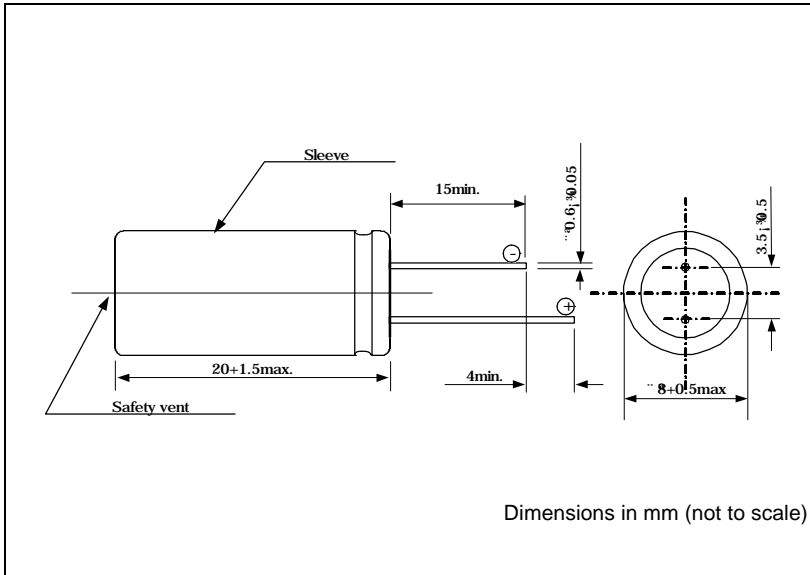


NESSCAP 3F/2.3V

ESLSR-0003C0-002R3

■ Features

- Cylindrical cell
- Radial lead terminals



■ Specifications

Rated Capacitance, C (DCC⁽¹⁾, 25°C)		3 Farads	(1) Discharging with constant current
Capacitance Tolerance		-10% / +20%	
Rated Voltage, V_R		2.3 V	
Surge Voltage		2.7 V	
Rated Current (25°C)⁽²⁾		0.615 A	(2) 5 sec discharge rate to 1/2 V_R
Max. Current (25°C)⁽³⁾		> 2.2 A	(3) 1 sec discharge rate to 1/2 V_R
Max. Stored Energy (at V_R)		7.94 J (0.0022Wh)	
Specific Energy	Gravimetric	1.29 Wh/kg	
	Volumetric	2.2 Wh/l	
Specific Power⁽⁴⁾ (at matched load)	Gravimetric	3.89 kW/kg	(4) Power density at which one-half the energy of the discharge is in the form of electricity and one-half is in heat.
	Volumetric	6.61 kW/l	
Maximum Internal Resistance (ESR)	AC (1kHz)	150 mW	
	DC (0.3A)	200 mW	
Dimensions		φ 8 x / 20 mm	
Volume		1.0 ml	
Weight		1.7 g	
Operating temperature range⁽⁵⁾		-25 ~ 60 °C	() ½DC ½< 0% and ESR < 4 times measured value at 25 C, respectively
Max. Leakage Current, L (12h, 25°		500 mA	
Life Time at RT⁽⁶⁾		10 years	6) ½DC½ 30% and ESR < of initially measured value, re value

© NESSCAP 2003. All Rights reserved. Design, Specifications are subject to change without notice.