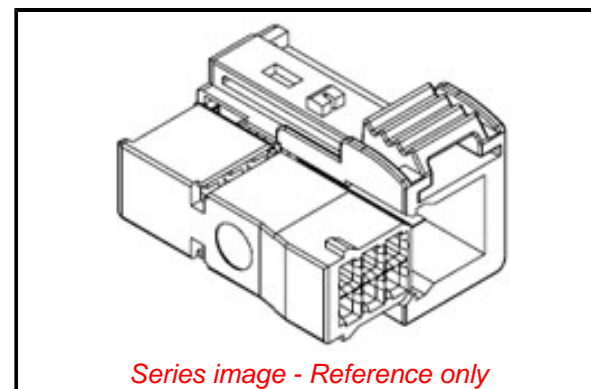


PLEASE CHECK WWW.MOLEX.COM FOR LATEST PART INFORMATION

Part Number: [0982980004](#)
Status: **Active**
Overview: MOX Products
Description: 2.54mm Pitch MOX Receptacle Housing, 6 Circuits, Breakable, Dual Row, Brown

Documents:

Drawing (PDF)	Application Specification AS-98298-001-001 (PDF)
Product Specification PS-98298-001-001 (PDF)	Packaging Specification PK-98298-001-001 (PDF)
Application Specification 982980001-AS-CH-000 (PDF)	RoHS Certificate of Compliance (PDF)



General

Product Family	Crimp Housings
Series	98298
Application	Power, Wire-to-Board
Comments	2x3 Circuits
Overview	MOX Products
Product Name	MOX
Taxonomy	Connector Housings
UPC	756054595374

Physical

Circuits (maximum)	6
Color - Resin	Brown
Gender	Receptacle
Glow-Wire Capable	No
Keying to Mating Part	None
Lock to Mating Part	Yes
Material - Resin	Polyester
Net Weight	2.528/g
Number of Rows	2
Packaging Type	Bag
Panel Mount	No
Pitch - Mating Interface	2.54mm
Pitch - Termination Interface	2.54mm
Polarized to Mating Part	Yes
Stackable	No
Temperature Range - Operating	-40° to +105°C

Electrical

Current - Maximum per Contact	6.0A
-------------------------------	------

Solder Process Data

Lead-freeProcess Capability	N/A
-----------------------------	-----

Material Info

Reference - Drawing Numbers

Application Specification	982980001-AS-CH-000, AS-98298-001-001
Packaging Specification	PK-98298-001-001
Product Specification	PS-98298-001-001
Sales Drawing	SD-98298-002-001, SD-98298-003-001

EU ELV

Compliant

EU RoHS

Compliant

REACH SVHC

Not Contained per -
D(2022)9120-DC (17
Jan 2023)

Halogen-Free

Status

Not Relevant

For more information, please visit [Contact US](#)

China ROHS

Not Relevant

ELV

Compliant

RoHS Phthalates

Not Contained

Search Parts in this Series

[98298 Series](#)

Mates With

Please Contact Molex for Details

Use With

[98658 MOX Crimp Terminal](#)