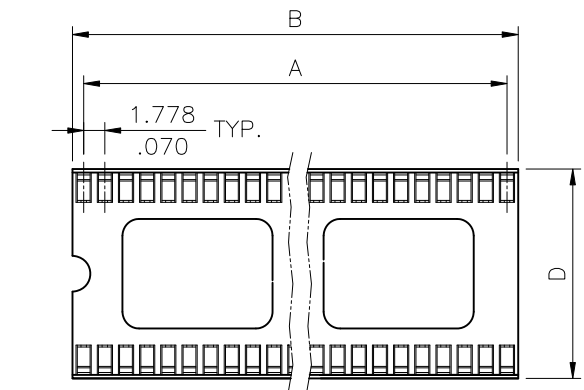
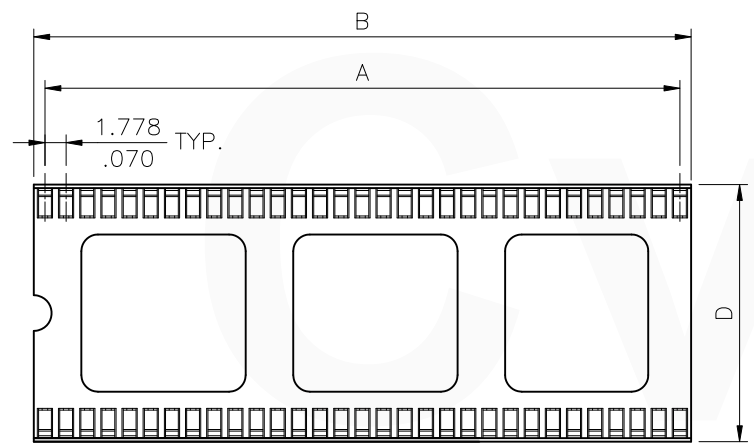


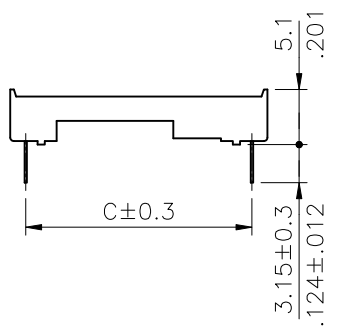
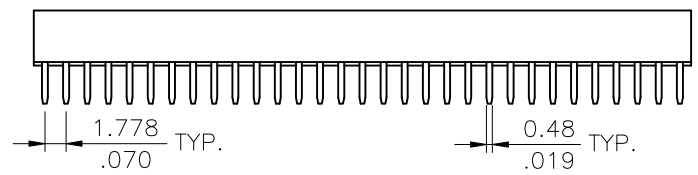
Typical 16,20,22 Circuits



Typical 24,28,30,32,40,42,48,52,56 Circuits



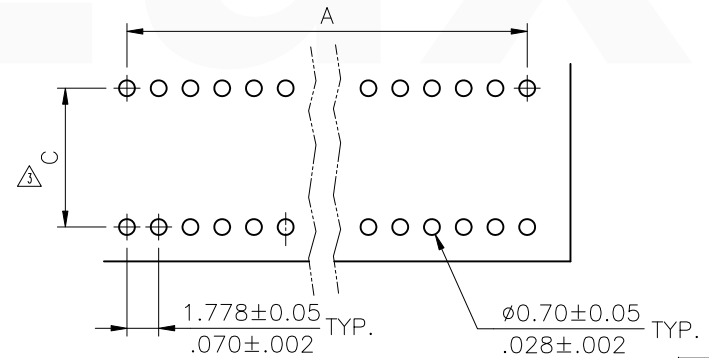
Typical 64 Circuits



Materials:

- \* Insulator: Glass filled Polyester UL 94V-0  
Color Black
- \* Contact: Phosphor Bronze

Circuits	Dimension			
	A	B	C	D
16	12.45(.490)	14.22(.560)	7.62(.300)	10.1(.398)
20	16.00(.630)	17.78(.700)	7.62(.300)	10.1(.398)
22	17.78(.700)	19.55(.770)	7.62(.300)	10.1(.398)
24	19.56(.770)	21.33(.840)	10.16(.400)	12.6(.496)
28	23.11(.910)	24.89(.980)	10.16(.400)	12.6(.496)
30	24.89(.980)	26.67(1.050)	10.16(.400)	12.6(.496)
32	26.67(1.050)	28.45(1.120)	10.16(.400)	12.6(.496)
40	33.78(1.330)	35.56(1.400)	15.24(.600)	17.72(.698)
42	35.56(1.400)	37.34(1.470)	15.24(.600)	17.72(.698)
48	40.89(1.610)	42.67(1.680)	15.24(.600)	17.72(.698)
52	44.45(1.750)	46.22(1.820)	15.24(.600)	17.72(.698)
56	48.01(1.890)	49.78(1.960)	15.24(.600)	17.72(.698)
64	55.12(2.170)	56.90(2.240)	19.05(.750)	21.5(.846)



Recommended PC Board Layout

RoHS Compliant

6	Yushu	8/28-19'	ECNT119233			DATE	UNIT: mm / inch	TITLE: .070*(1.778mm) H.D. DIP IC SOCKET	 瀚荃股份有限公司 CviLux Corporation	
5	Jim	5/20/06'	ECR06040-0/ECN06158		DRAWN BY: Yushu	9/17-19'	TOLERANCE UNLESS OTHERWISE SPECIFIED			
4	Sun	9/30/05'	ECR05067-0/ECN05275		ENGINEER: Sun	9/17-19'	.X ± 0.30/.012 X' ± 1'	MATERIAL:		
3	SUN	7/20/05'	ECN05248		CHECKED BY: Eisley	9/17-19'	.XX ± 0.20/.008 X' ±	FINISH:	DRAWING NO. CS0401SM	PART NO. CS04**11000
SYM	NAME	DATE	REVISIONS		APPROVED BY: Eisley	9/17-19'	.XXX ± 0.08/.003 XX' ±		SCALE 2 / 1	SHEET 1 OF 1