

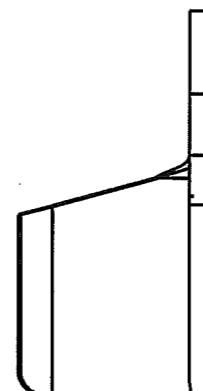
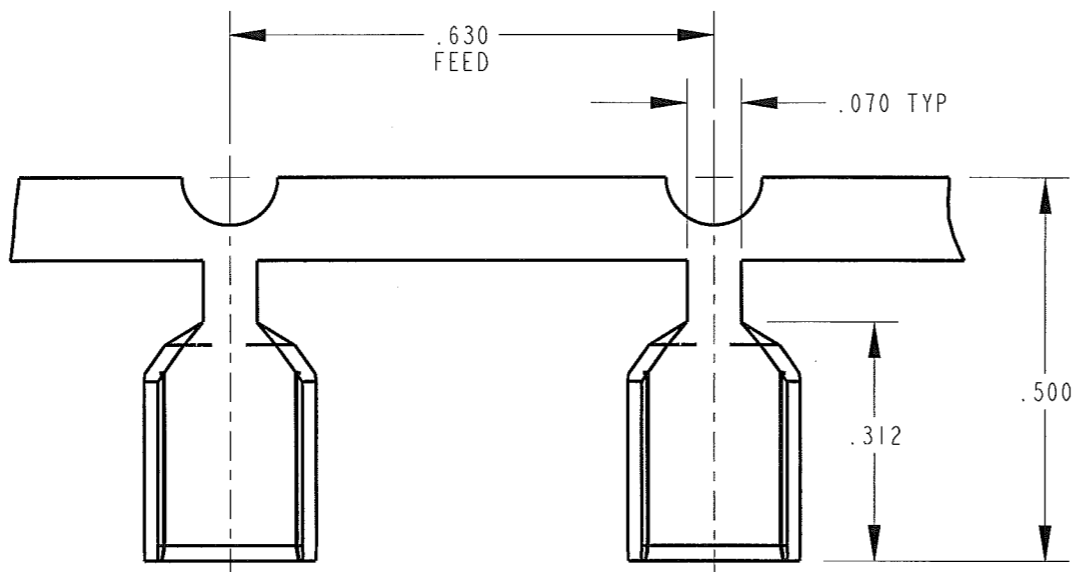
CUSTOMER DRAWING

P/N: 3800S 175/-5

REV

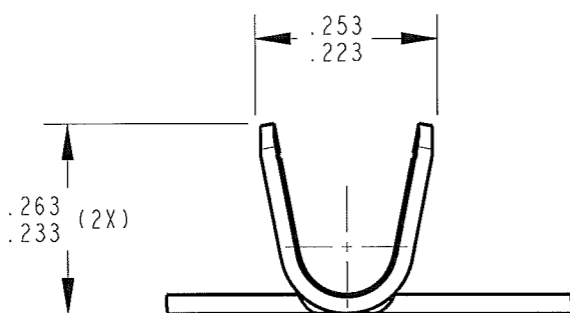
L

PART NUMBER	MATERIAL	FINISH
3800S 175A-5	.025 THICK BRASS C26000, 1/2 HARD	PRETINNED
3800S 175AB-5	.025 THICK BRASS C26000, 1/2 HARD	NONE
3800S 175AD-5	.025 THICK BRASS C26000, 1/2 HARD	POST-TIN



NOTES:

1. CMA RANGE: 5200 TO 13000
2. FOR PIGTAIL SPLICES USED IN A BENCH APPLICATOR, ADD SUFFIX "PP" TO PART NUMBER (i.e. 3800S 175A-5PP), SEE FIGURE 1 FOR REELING.
3. FOR THROUGH SPLICES USED IN A BENCH APPLICATOR, THE PART NUMBER REMAINS THE SAME AS IN THE TABLE (i.e. 3800S 175A-5). SEE FIGURE 2 FOR REELING.
4. FOR PIGTAIL AND THROUGH SPLICES USED IN A SLIM-LINE AIR PRESS, THE PART NUMBER REMAINS THE SAME AS IN THE TABLE (i.e. 3800S 175A-5). SEE FIGURE 2 FOR REELING.
5. PAPER INTERLEAVING ADDED TO REDUCE TANGLING IN REELS.



ARK-LES
UNCONTROLLED

ARK-LES LETTERING
THIS SIDE.

ARK-LES LETTERING
THIS SIDE.



FIGURE 1
(I.E. 3800S 175A-5PP)

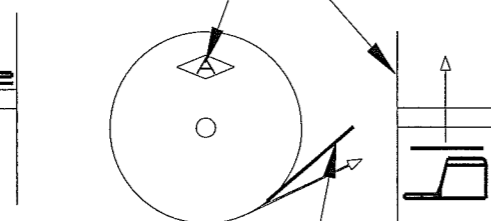


FIGURE 2
(I.E. 3800S 175A-5)

PROD. REL.	SK0678	11/10/1980	CHK'D	TOLERANCES UNLESS OTHERWISE SPECIFIED	 STOUGHTON, MA
QUOTE REL.			DD 11/17/06	DECIMALS ±.010	
DEPT #			APP.	METRIC ±0.25mm	ORIGINAL IF RED PART NAME CUSTOMER DRAWING SPLICE TERMINAL
ENG X			APP.	ANGLES ±1°	
SALES			APP.	3RD ANGLE PROJECTION	CAD#: 3800S_175-5-REVL_CUST P/N: 3800S 175/-5
STO X			APP.	DWG SIZE: B	
REV.	L	REV/REDRWN ECR# S000127	11/03/06	DON	REV L
DESCRIPTION					
DATE					
DR.					
PRINT DIST.					
DEPT #					
ENG X					
SALES					
STO X					
RAL					
JZ					
CHINA					
PROD. REL.	SK0678	11/10/1980	CHK'D	TOLERANCES UNLESS OTHERWISE SPECIFIED	 STOUGHTON, MA
QUOTE REL.			DD 11/17/06	DECIMALS ±.010	
DEPT #			APP.	METRIC ±0.25mm	ORIGINAL IF RED PART NAME CUSTOMER DRAWING SPLICE TERMINAL
ENG X			APP.	ANGLES ±1°	
SALES			APP.	3RD ANGLE PROJECTION	CAD#: 3800S_175-5-REVL_CUST P/N: 3800S 175/-5
STO X			APP.	DWG SIZE: B	
REV.	L	REV/REDRWN ECR# S000127	11/03/06	DON	REV L
DESCRIPTION					
DATE					
DR.					
PRINT DIST.					
DEPT #					
ENG X					
SALES					
STO X					
RAL					
JZ					
CHINA					