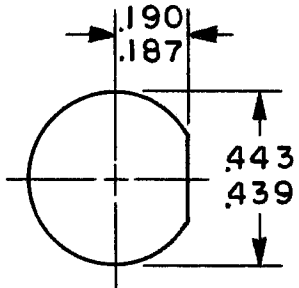
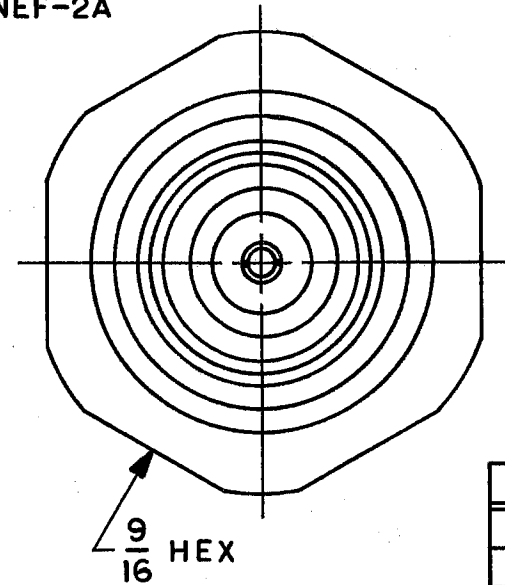
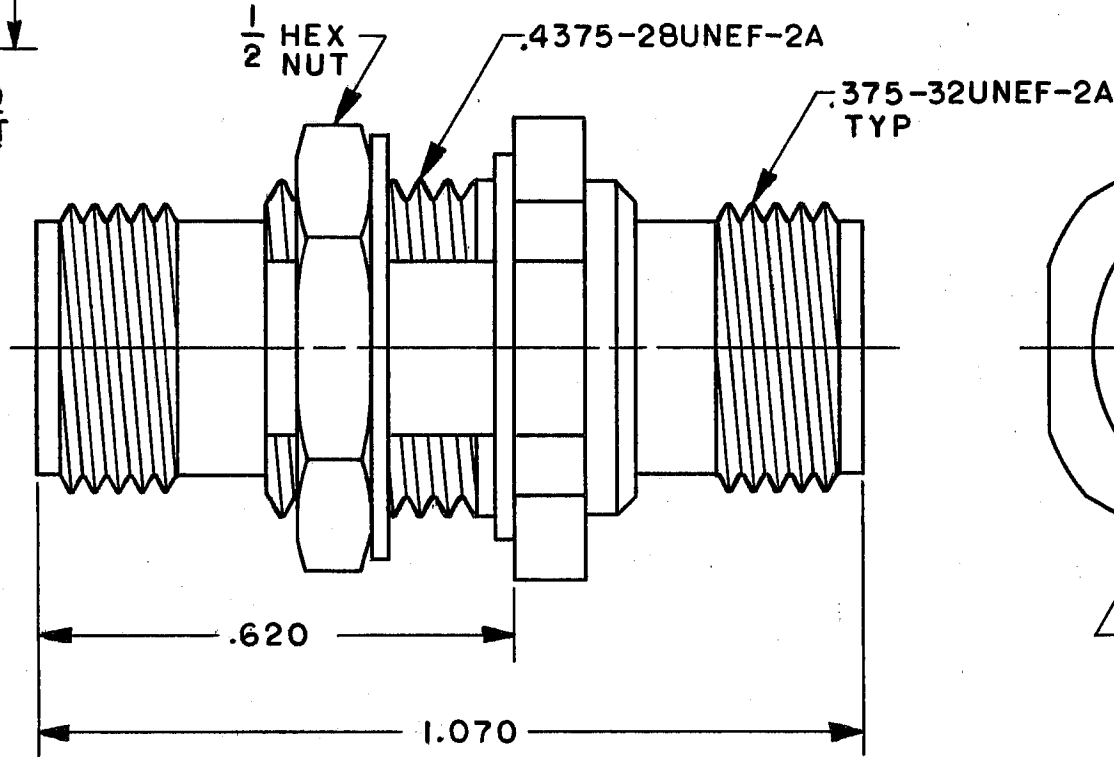


DATA CONTAINED IN THIS DOCUMENT IS PROPRIETARY TO TROMPETER ELECTRONICS INC. AND SHALL NOT BE DISCLOSED, COPIED OR USED FOR PROCUREMENT OR MANUFACTURE WITHOUT EXPRESS WRITTEN PERMISSION.

REVISIONS			1000-0466 SH 1		
REV	EO	DESCRIPTION	DWN	APPROVED	DATE



**RECOMMENDED  
PANEL CUTOUT**  
SCALE: 2/1



INCH	MM
.187	4.75
.190	4.83
.439	11.15
.443	11.25
.620	15.75
1.070	27.18

4. MAX PNL THK .190
3. FEMALE SUBMINIATURE COAXIAL BULKHEAD FEED THRU JACK (TCM STYLE)
2. FINISH: TFS-1A (NICKEL)
1. ALL DIM ARE REF IN INCHES

QTY	DESCRIPTION	PART NUMBER	ITEM
TOL UNLESS SPECIFIED .XX ± .XXX ± .XXXX ± ANGLES ±		<b>TROMPETER ELECTRONICS, INC.</b>	
		BJ 358	
DWN	TDM 8-18-80	MATERIAL	CODE IDENT
CHK	JTD 8-18-80	—	14949
ENGR		DRAWING NO. 1000-0466	
APPR	8-18-80	SCALE 4/1	DATE 8-18-80
NEXT ASSY		SHEET 1 OF 2	