

10A OR 15A 6PDT 336F OR 337F 6XX RAIL-TRANSPORT RELAYS

GENERAL DATA

Non latching relay

Weight: 94g

Contacts: 6PDT

In accordance with NF F 62002 standard

ELECTRICAL DATA

Contact rating : see application note n° 123 (10A)
see application note n° 125 (15A)

Insulation resistance : ≥ 1000 MOhm 500 Vdc

Dielectric strength : Contacts 1500 Vac at sea level
350 Vac at 80000 ft
Coil 1000 Vac at sea level
350 Vac at 80000 ft

Contact resistance (before life) : 15 mOhm

Contact resistance (after life) : 17.5 mOhm

ENVIRONMENTAL DATA

Vibrations: Sinus : 30 g from 10 at 3000Hz
Random : 0,4 g²/Hz from 50 to 2000Hz

Shocks : 100 g - 6ms

Acceleration : 15 g

Temperature range : -40 to +85° C

Storage temperature : - 65 to +125°C

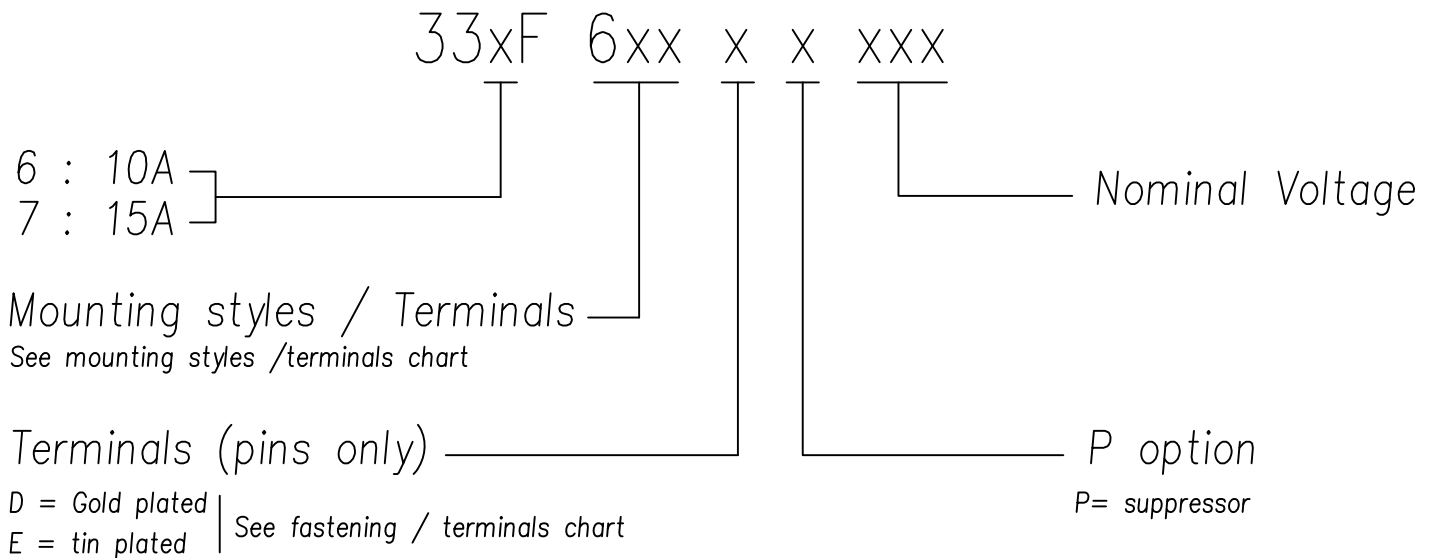
Leak rate : $\leq 1.10^{-8}$ bar/cm³/s

Salt spray : 96 H as per NF C 93001

CONTROL DATA

Nominal voltage	12Vdc	18Vdc	24Vdc	36Vdc	72Vdc	110Vdc
Voltage range	8.3/12Vdc	12.5/22.5Vdc	16.5/30Vdc	25/45Vdc	50/90Vdc	77/137Vdc
Pick-up voltage at +85°C						
Coil energized under max. voltage	\leq 8Vdc	12Vdc	16Vdc	24.5Vdc	49Vdc	75Vdc
Hold voltage at +85°C	\leq 7Vdc	10.5Vdc	14Vdc	21Vdc	40.5Vdc	64Vdc
Drop-out voltage at -40°C	\geq 1Vdc	1.5Vdc	2Vdc	3.5Vdc	6.5Vdc	10.5Vdc
Coil resistance $\pm 10\%$ Ohms	40 Ω	120 Ω	210 Ω	480 Ω	1400 Ω	2880 Ω
Operating time	\leq 10 ms	10 ms	10 ms	10 ms	10 ms	10 ms
Release time	\leq 10 ms	10 ms	10 ms	10 ms	10 ms	10 ms
Bounce (max.)	\leq 1 ms	1 ms	1 ms	1 ms	1 ms	1 ms
Suppressed voltage (for P option)	15	28	42	54	100	150

REFERENCING SYSTEM



For other specifications please consult factory

fc336/336-3a 02/05/95 Ind.: B

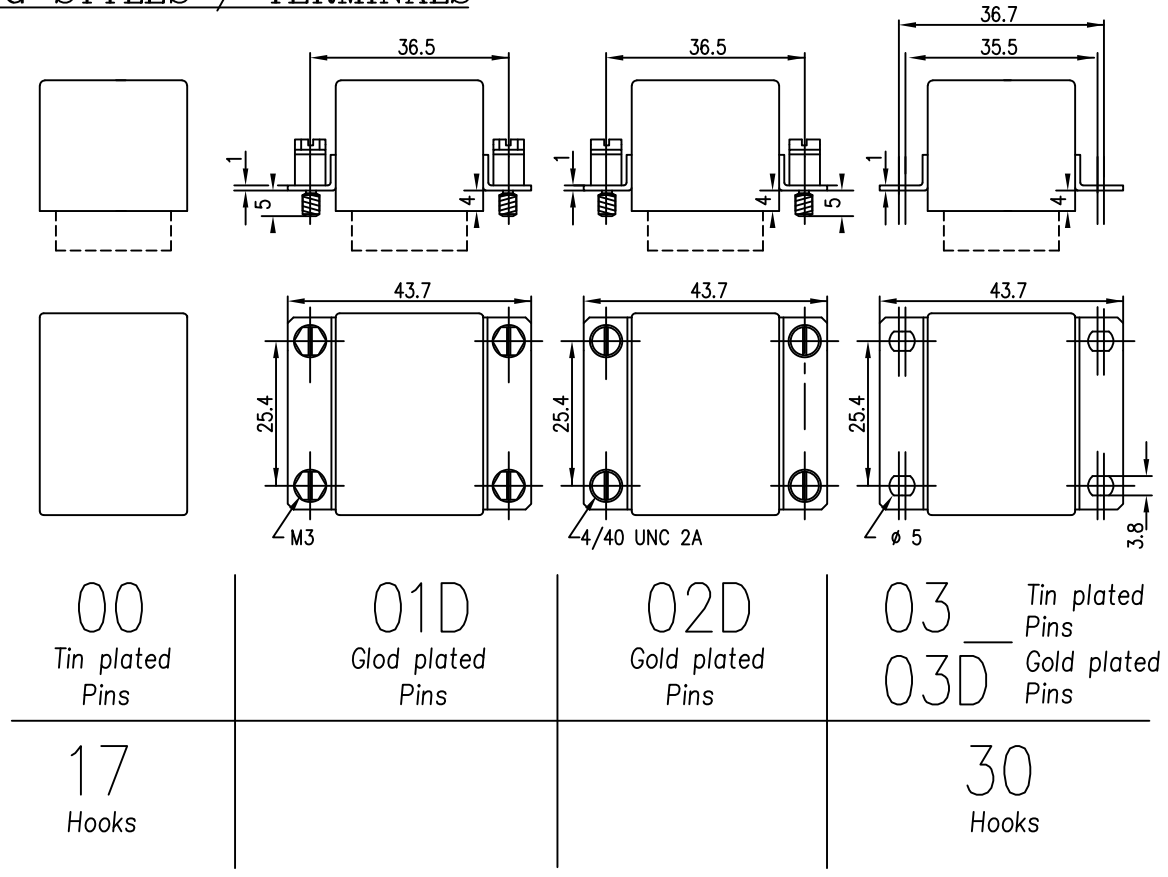


17 rue Vicq d'Azir F 75010 PARIS Tel: (33) 1 42 03 94 20 Fax: (33) 1 42 03 52 85 Head office and facilities

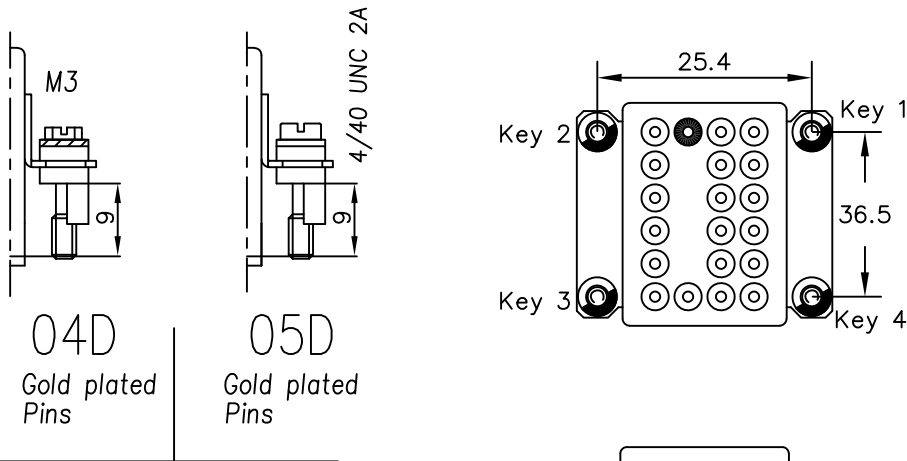
(F) LYON STPI (16) 78 87 14 94 (FRG) AIR LB (49) 68 31 82 008 (E) STPI (34) 1 44 68 104
(UK) CHANNEL (44) 635 86 48 66 (I) SYNTECH (39) 69 41 50 05

10A OR 15A 6PDT 336F OR 337F 6XX RELAYS

MOUNTING STYLES / TERMINALS



KEY CODED FASTENING SYSTEM



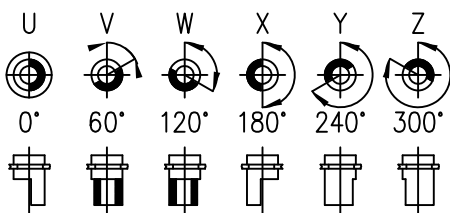
KEY CODE WITHOUT P OPTION

Coil	Key 1	Key 2	Key 3	Key 4
12Vdc	X	Z	V	U
18Vdc	Z	Z	U	U
24Vdc	U	Z	U	U
36Vdc	Y	Z	U	U
72Vdc	W	Z	U	U
110Vdc	X	Z	U	U

KEY CODE WITH P OPTION

Coil	Key 1	Key 2	Key 3	Key 4
12Vdc	X	Z	X	U
18Vdc	Z	Z	W	U
24Vdc	U	Z	W	U
36Vdc	Y	Z	W	U
72Vdc	W	Z	W	U
110Vdc	X	Z	W	U

KEY CODING ORIENTATION PATTERN



The dark part is the long part of the strut

Unless otherwise specified, all sizes, dimensions are quoted in mm.

fc336/336-4a 02/12/93 Ind.: A

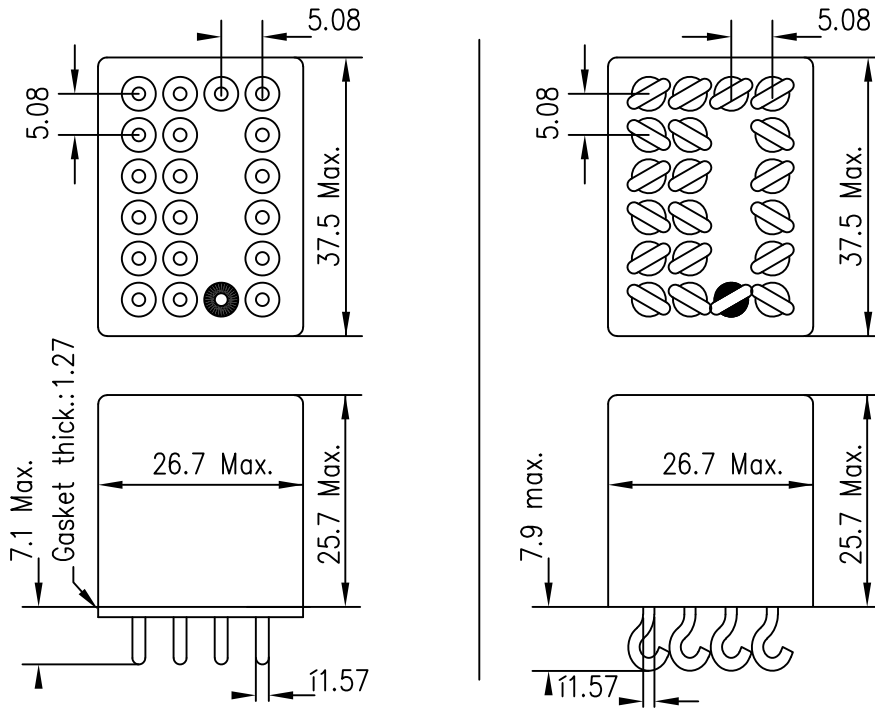


17 rue Vicq d'Azir F 75010 PARIS Tel: (33) 1 42 03 94 20 Fax: (33) 1 42 03 52 85 Head office and facilities

(F) LYON STPI (16) 78 87 14 94 (FRG) AIR LB (49) 68 31 82 008 (E) STPI (34) 1 44 68 104 (UK) CHANNEL (44) 635 86 48 66 (I) SYNTECH (39) 69 41 50 05

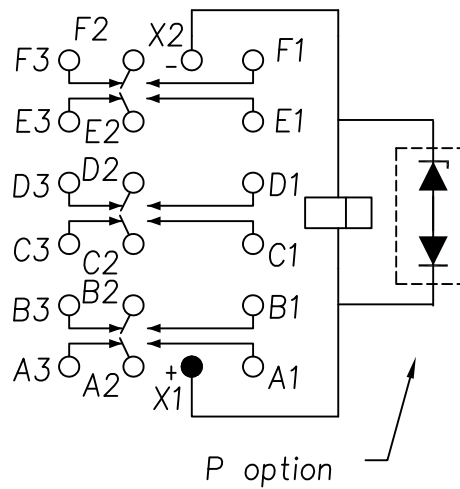
10A OR 15A 6PDT 336F OR 337F 6XX RELAYS

DIMENSIONS AND SIZES



Unless otherwise specified, all sizes, dimensions are quoted in mm.

CONNECTION DIAGRAM



Under-side view

fc336/336-13a11/07/94 Ind.: B



17 rue Vicq d'Azir F 75010 PARIS Tel: (33) 1 42 03 94 20 Fax: (33) 1 42 03 52 85 Head office and facilities

(F) LYON STPI (16) 78 87 14 94 (FRG) AIR LB (49) 68 31 82 008 (E) STPI (34) 1 44 68 104 (UK) CHANNEL (44) 635 86 48 66 (I) SYNTECH (39) 69 41 50 05