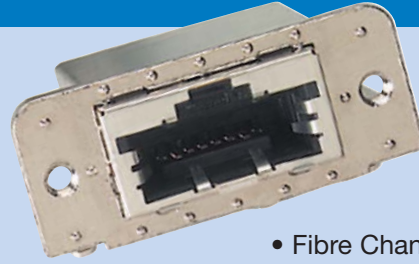


**HSSDC** High Speed Serial Data Connection receptacles meet high-speed differential communication protocols with speeds exceeding 1 Gbps such as IEEE 802.3z and Fibre Channel. This system is designed to conform to SFF-8420 specifications. A variety of receptacles are available with keying and filtering options through a ferrite block. Standard, PCI bracket or die cast mounting options are also available in either SMT or through-hole versions.



### APPLICATIONS

- Fibre Channel
  - 1Gb Ethernet
  - SFF-8420
- 
- Switches
  - Routers
  - HBAs (Host Bus Adapters)
  - NICs (Network Interface Cards)

### ORDERING INFORMATION

Contact Amphenol for additional options

## HSSDC Receptacle

U45 - A 0 1 - 0 1 0

#### HSSDC RECEPTACLE

#### STYLE

- A - Right Angle Through-Hole
- B - SMT Contacts, Through-Hole Shield
- D - PCI Bracket, Right Angle Through-Hole
- E - PCI Bracket, SMT Contacts, Through-Hole Shield
- L - Panel Mount with Locating Posts, SMT Contacts
- P - Panel Mount with Friction Posts, SMT Contacts

#### POLARIZATION

- 0 - None
- 1 - Left
- 2 - Right
- 3 - Both

#### CONTACT PLATING

- 1 - 30µ" Gold plating

#### MODIFIER

- 0 - Standard
- 2 - 0.790" [20.07] Ground Shield Pin Spacing\*

#### NUMBER OF PORTS

- 1 - 1 Port
- 2 - 2 Port\*\*
- 3 - 3 Port\*\*\*
- 4 - 4 Port\*\*\*

#### FILTERING

- 0 - No Filtering
- 1 - Ferrite Block†

#### NOTES

- \* Panel Mount Version Only
- \*\* Panel Mount and PCI Versions Only
- \*\*\* PCI Version Only
- † Future Offering

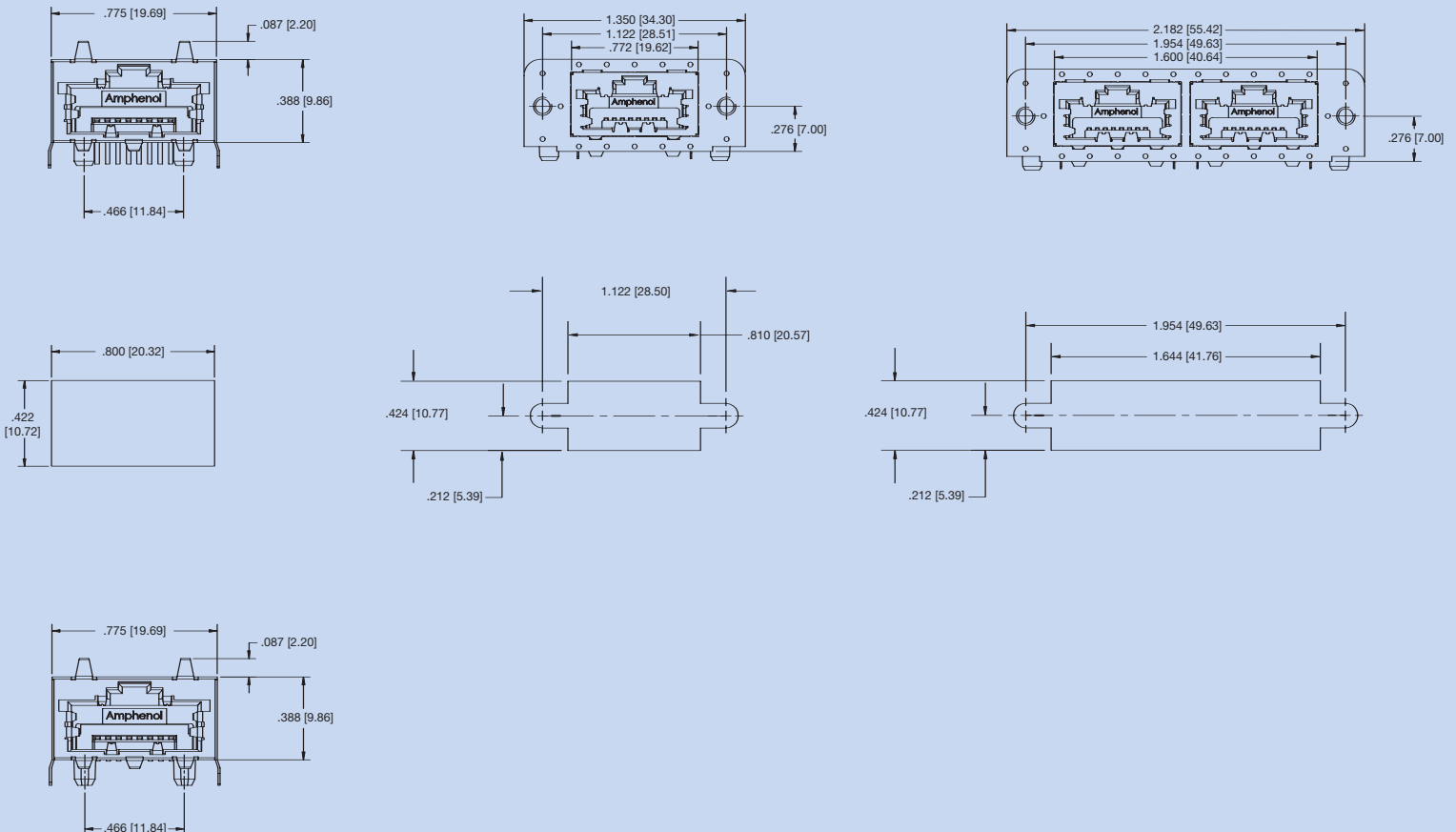
## MATERIAL SPECIFICATIONS

<b>Plastic Insert</b>	High temperature resistant nylon; Flammability rating – UL94V-0
<b>Contacts</b>	Phosphor bronze; 30µ” [0.76µm] gold plating over nickel on contact mating area and tin-lead plating over nickel on PCB terminations
<b>Shield</b>	Copper alloy; Tin-lead plated
<b>PCI Bracket</b>	Die cast; Nickel plated
<b>Panel-Mount Bracket</b>	Die cast; Nickel plated

## ELECTRICAL AND ENVIRONMENTAL SPECIFICATIONS

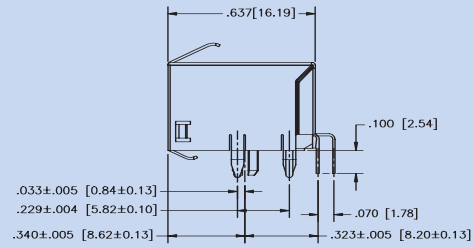
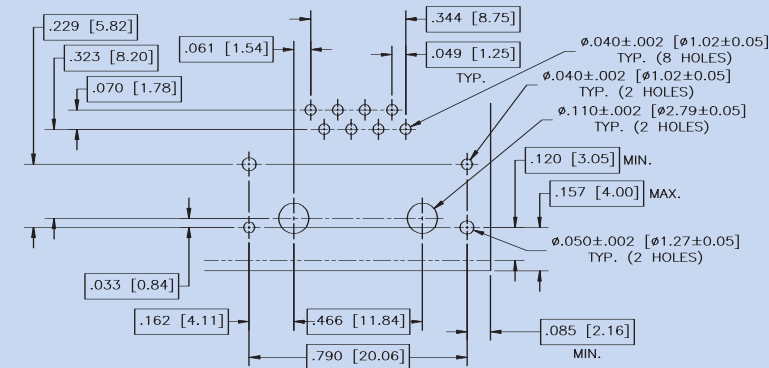
<b>Current Rating</b>	1 Amp maximum/contact (2 non-adjacent contacts energized)	<b>DWV</b>	30 VDC
<b>Contact Resistance</b>	42mΩ maximum initial	<b>Operating Temperature</b>	-40°C to +85°C
<b>Insulation Resistance</b>	100 MΩ minimum	<b>Durability</b>	500 mating cycles

## TECHNICAL SPECIFICATIONS

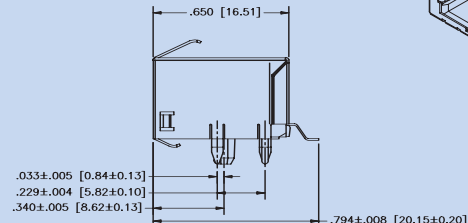
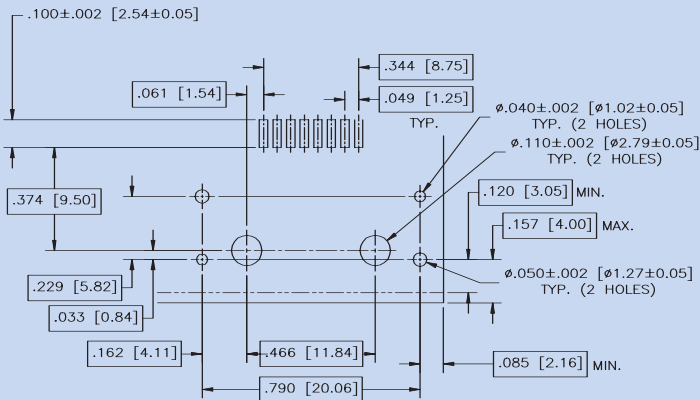


TOLERANCE: ± 0.005 [± 0.13]    DIMENSIONS TO BE USED AS REFERENCE ONLY    PLEASE REFER TO SALES DRAWINGS FOR DETAILED DIMENSIONS    SPECIFICATIONS SUBJECT TO CHANGE

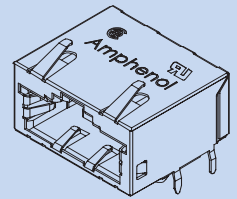
## STANDARD



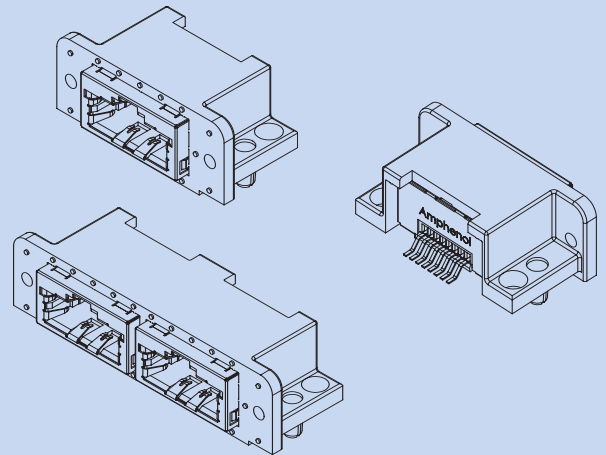
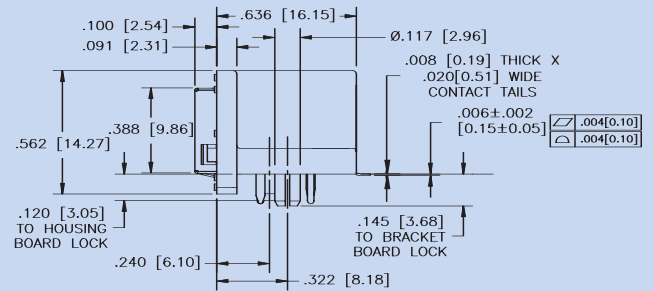
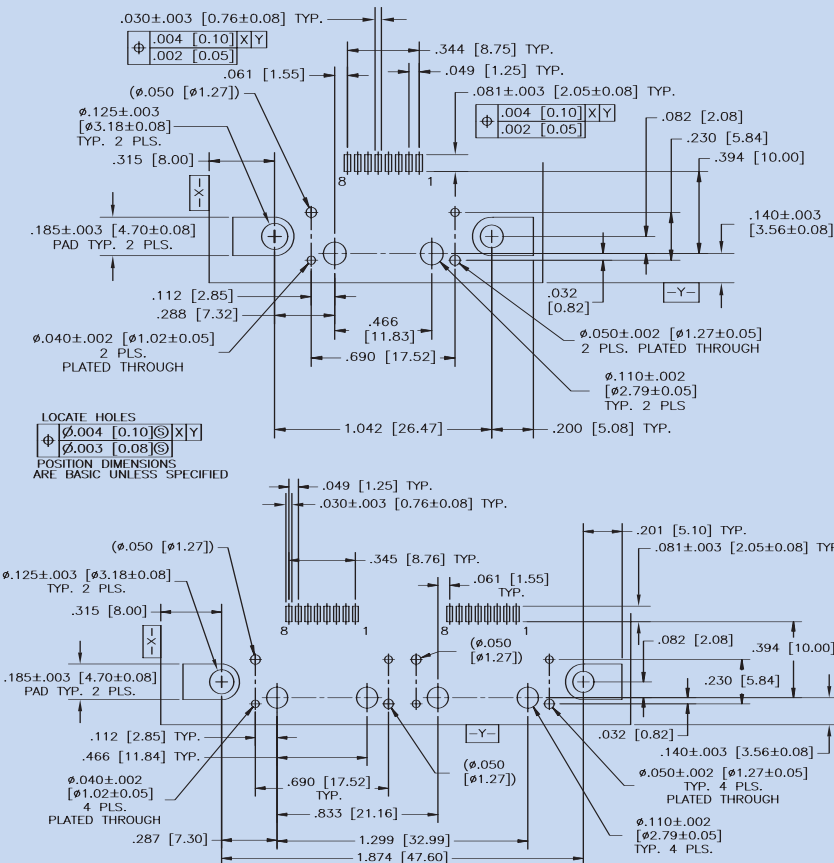
THROUGH-HOLE



SMT

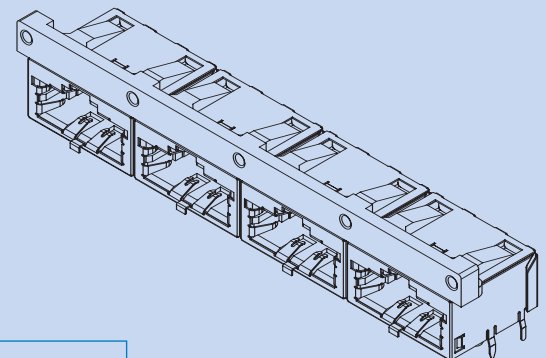
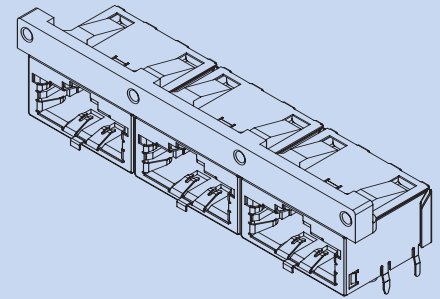
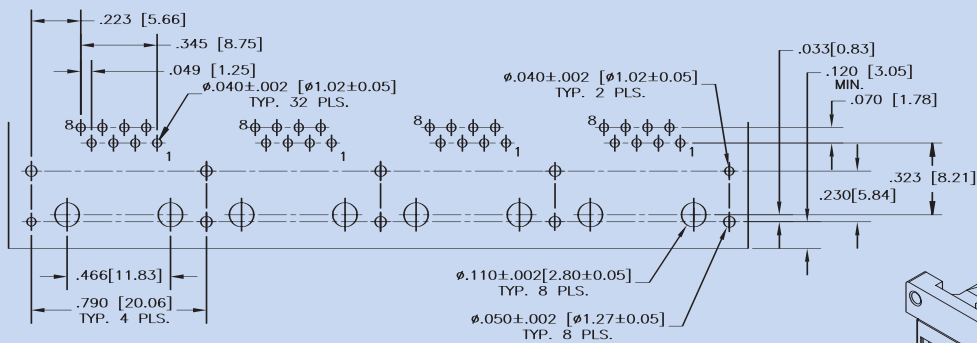
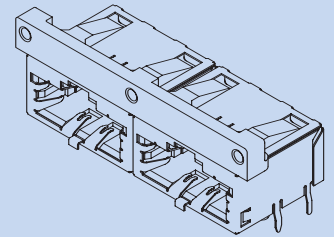
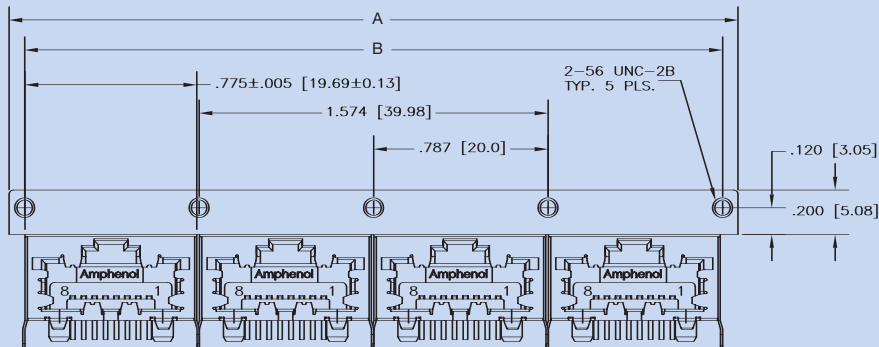
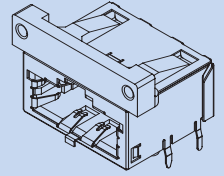
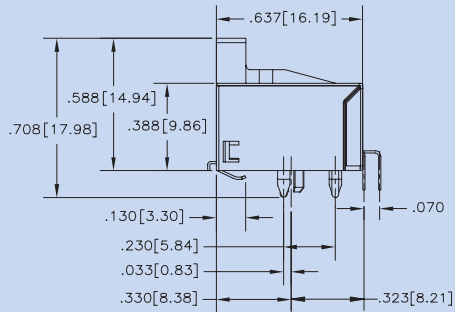


## DIE CAST SHELL



TOLERANCE:  $\pm 0.005$  [ $\pm 0.13$ ]  
 DIMENSIONS TO BE USED AS REFERENCE ONLY  
 PLEASE REFER TO SALES DRAWINGS FOR DETAILED DIMENSIONS  
 SPECIFICATIONS SUBJECT TO CHANGE

## PCI BRACKET



NUMBER OF PORTS	A	B
1	0.927 [23.55]	0.787 [20.00]
2	1.714 [43.54]	1.574 [39.98]
3	2.501 [65.53]	2.361 [59.97]
4	3.288 [83.52]	3.148 [79.96]

TOLERANCE:  $\pm 0.005$  [ $\pm 0.13$ ]  
 DIMENSIONS TO BE USED AS REFERENCE ONLY  
 PLEASE REFER TO SALES DRAWINGS FOR DETAILED DIMENSIONS  
 SPECIFICATIONS SUBJECT TO CHANGE

**HSSDC** High Speed Serial Data Connection Plug Kits meet high-speed differential communication protocols with speeds exceeding 1 Gbps such as IEEE 802.3z and Fibre Channel. This system is designed to conform to SFF-8420 specifications. A variety of plugs are available with keying and equalization options as well as a variety of cable entry variations. All plugs are available with standard or RoHS compliant materials.



## APPLICATIONS

- Fibre Channel
  - 1Gb Ethernet
  - SFF-8420
- 
- Switches
  - Routers
  - HBAs (Host Bus Adapters)
  - NICs (Network Interface Cards)

## ORDERING INFORMATION

Contact Amphenol for additional options

### HSSDC Plug

UE46\* - 0 0 1 - 0 0 0

#### HSSDC PLUG KIT

- U46** - Standard Plug Kit
- UE46** - RoHS Compliant Plug Kit

#### EQUALIZATION STYLE

- 0** - Non-Equalized (Standard)
- 2** - Equalized 30 meters (for 1 Gbps)

#### POLARIZATION

- 0** - None (Standard)
- 1** - Left
- 2** - Right
- 3** - Both

#### CONTACT PLATING

- 1** - 30µ" Gold plating

#### MODIFIER

- 0** - Standard

#### CABLE SIZE:

- |                               |                          |
|-------------------------------|--------------------------|
| <b>0</b> - No Ferrule or Boot | <b>H</b> - .285" - .299" |
| <b>A</b> - .180" - .194"      | <b>J</b> - .300" - .314" |
| <b>B</b> - .195" - .209"      | <b>K</b> - .315" - .329" |
| <b>C</b> - .210" - .224"      | <b>L</b> - .330" - .344" |
| <b>D</b> - .225" - .239"      | <b>M</b> - .345" - .359" |
| <b>E</b> - .240" - .254"      | <b>N</b> - .360" - .374" |
| <b>F</b> - .255" - .269"      | <b>P</b> - .375" - .389" |
| <b>G</b> - .270" - .284"      |                          |

#### FERRULE AND BOOT OPTIONS

- 0** - No Boot, no Ferrule
- 3** - No Boot, with Ferrule
- 4** - Boot, with Ferrule

#### NOTES

\* For standard, non-RoHS compliant parts, order U46 series

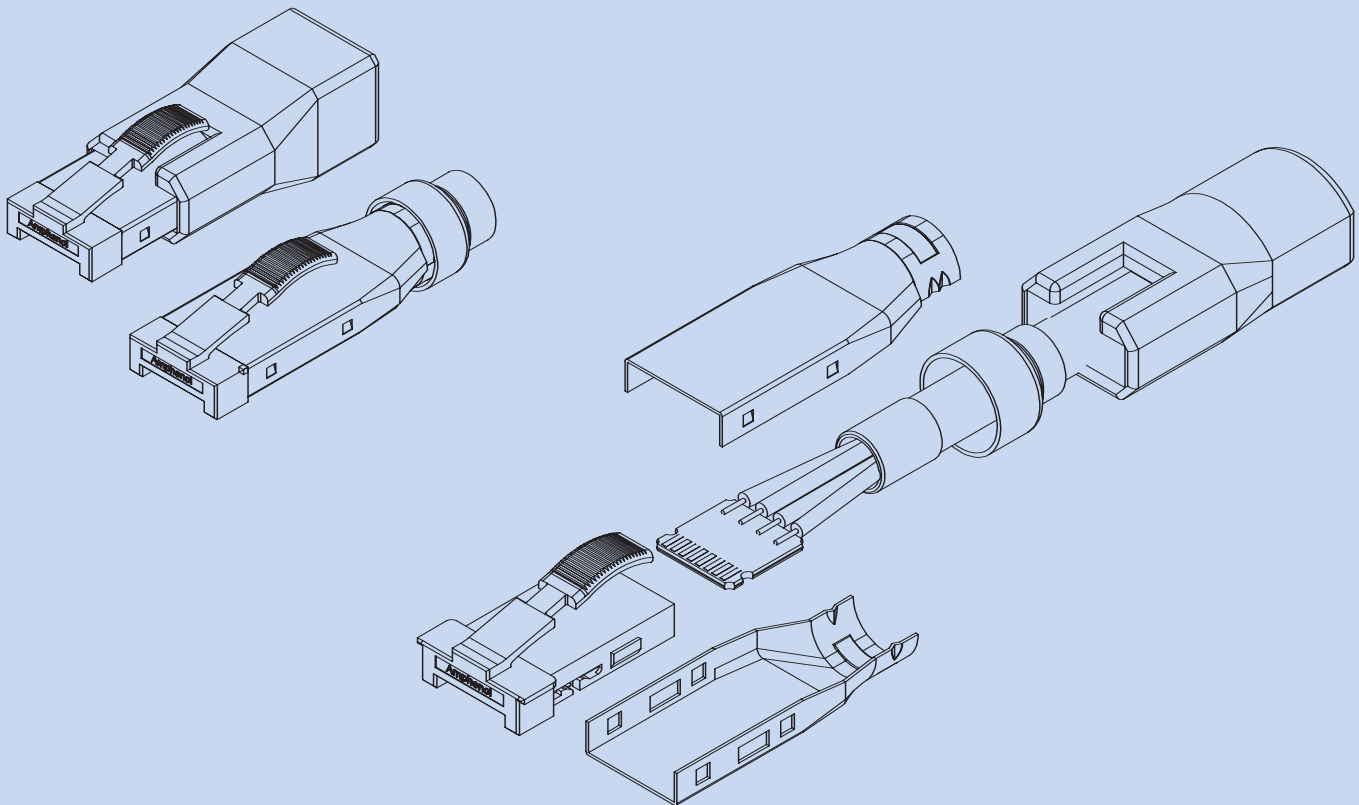
## MATERIAL SPECIFICATIONS

<b>Plastic Insert</b>	Thermoplastic; Flammability rating – UL94V-2
<b>Contacts</b>	Phosphor bronze; 30µ” [0.76µm] gold plating over nickel
<b>Shield</b>	Copper alloy; Tin-lead plated (standard) or tin-plated (RoHS compliant)
<b>Ferrule</b>	Brass alloy; Tin plated
<b>Boot</b>	Soft PVC

## ELECTRICAL AND ENVIRONMENTAL SPECIFICATIONS

<b>Current Rating</b>	1 Amp maximum/contact (2 non-adjacent contacts energized)	<b>DWV</b>	30 VDC
<b>Contact Resistance</b>	42mΩ maximum initial	<b>Operating Temperature</b>	-10°C to +50°C
<b>Insulation Resistance</b>	100MΩ minimum	<b>Durability</b>	500 mating cycles

## ISOMETRIC VIEWS



SPECIFICATIONS SUBJECT TO CHANGE

# ***HI SPEED CONNECTORS***

For more information about INFINITY (4X/12X),  
HSSDC, VHDCI, SFP or other High Speed products,  
please contact your local Amphenol Sales Representative, or contact:

Global Center of Excellence  
Amphenol Canada - Data/Telecom Products  
Phone: 416.754.5656  
Fax: 416.754.8668  
Email: [sales@amphenolcanada.com](mailto:sales@amphenolcanada.com)  
[www.amphenolcanada.com](http://www.amphenolcanada.com)  
20 Melford Drive, Toronto ON M1B 2X6

## EUROPE

Phone: +31-30-635-8000

Fax: +31-30-637-7034

Email: [info@amphenol-nl.com](mailto:info@amphenol-nl.com)

## ASIA

Phone: +852-2699-2663

Fax: +852-2688-0974

Email: [info@amphenol.com.hk](mailto:info@amphenol.com.hk)

# **Amphenol<sup>®</sup>**

***Data / Telecom Products***

[www.amphenolcanada.com](http://www.amphenolcanada.com)