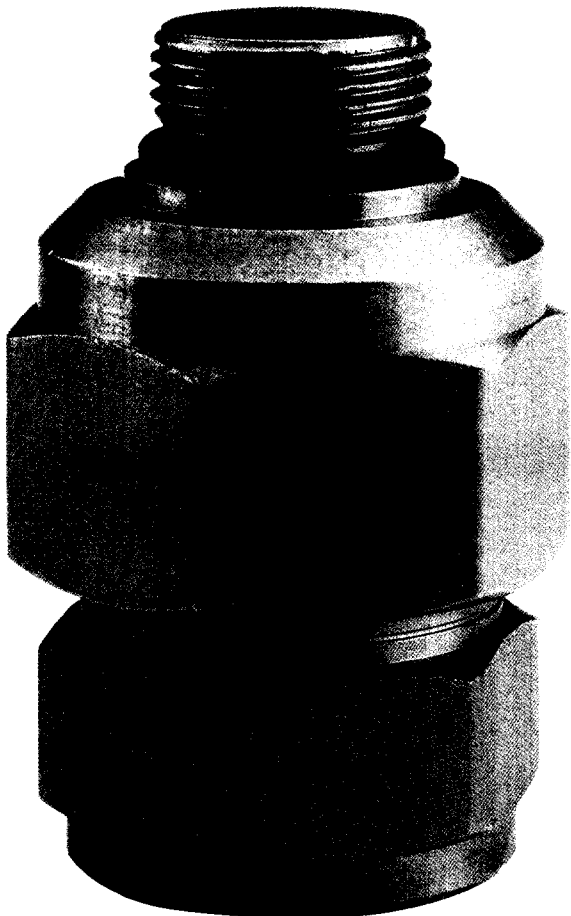
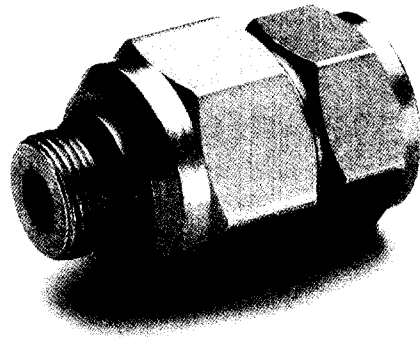


# GRS **series**

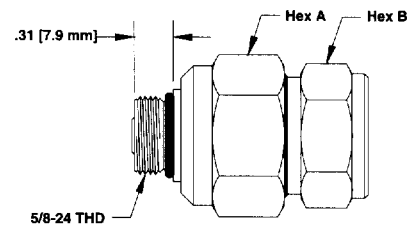
## **FEED THRU CONNECTOR**



Chassis mounting connector for 5/8-24 equipment entry.  
This GRS Series connector seizes only the outer conductor of the cable.

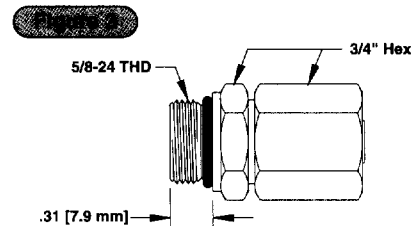
- The center conductor of the cable extends through the connector and is captured by the equipment's seizing mechanism.
- Reusable
- Part numbers are permanently marked on the connectors for easy identification.

# Feed Thru Connectors



	PART NUMBER	CENTER CONDUCTOR	OUTER CONDUCTOR	BODY HEX (A)	BACK NUT HEX (B)
.412	GRS-412-B-DU-01	.092	.412	1	1-15/16
.500	GRS-500-B-DU-03	.109	.500	1-1/8	1
.625	GRS-625-B-DU-02	.137	.625	1-1/4	1-1/8
<b>Common Size QR</b>					
.540	GRS-540-B-QR	.124	.540	1-1/4	1-1/8
<b>Thin Wall Fibre TX-10</b>					
.480	GRS-480-B-TX	.109	.480	1-1/8	1
.565	GRS-565-B-TX	.129	.565	1-1/4	1-1/8
<b>Triology MC2</b>					
.440	GRS-440-B-MC2	.105	.450	1-1/8	1
.500	GRS-500-B-MC2	.123	.510	1-1/8	1
<b>Early Versions</b> See Cable Group Listings in Reference Section of this Catalog					
.412 Group A	GRS-412-B-A-01	.080	.412	1	15/16
.412 Group CX	GRS-412-B-CX	.090	.482*	1-1/18	1
.500 Group C	GRS-500-B-A-01	.100	.500	1-1/8	1
.500 Group D	GRS-500-B-DU-01	.109	.500	1-1/8	1
.500 Group E	GRS-500-B-DU-02	.109	.500	1-1/8	1
.500 Group F	GRS-13.0-B-DU-01	.119	.509	1-1/8	1
.500 Group CX	GRS-500-B-CX	.110	.571*	1-1/4	1-1/8

\*Indicates diameter over outer jacket



PART NUMBER	FIGURE	DIELECTRIC O.D.
G-11-FT	1,3	.284
G-11-FT-SPL	2,3	.284