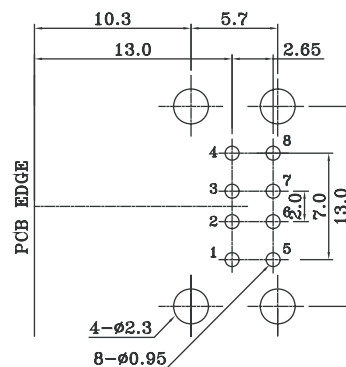
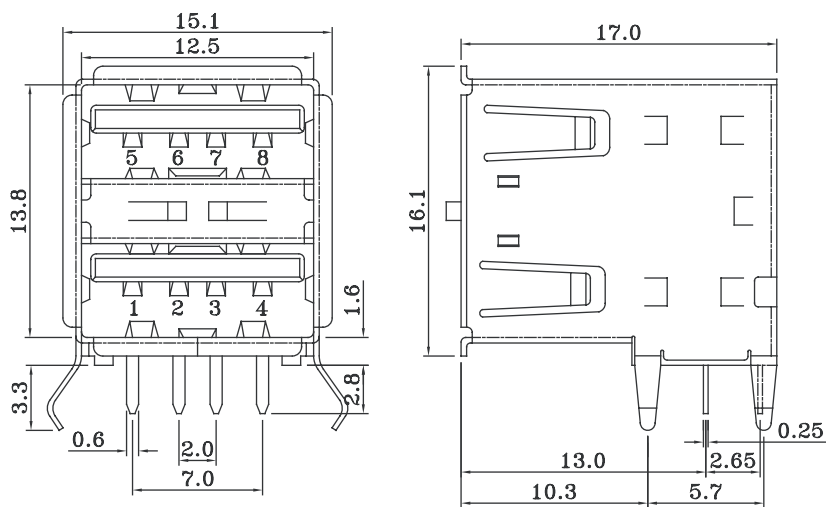




USB FEMALE DUAL PORTS A TYPE



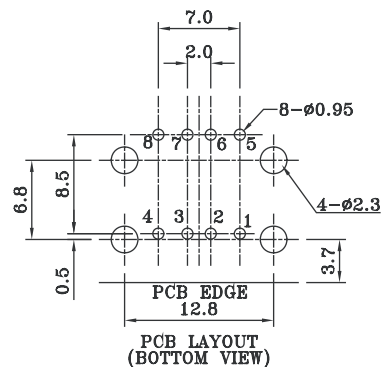
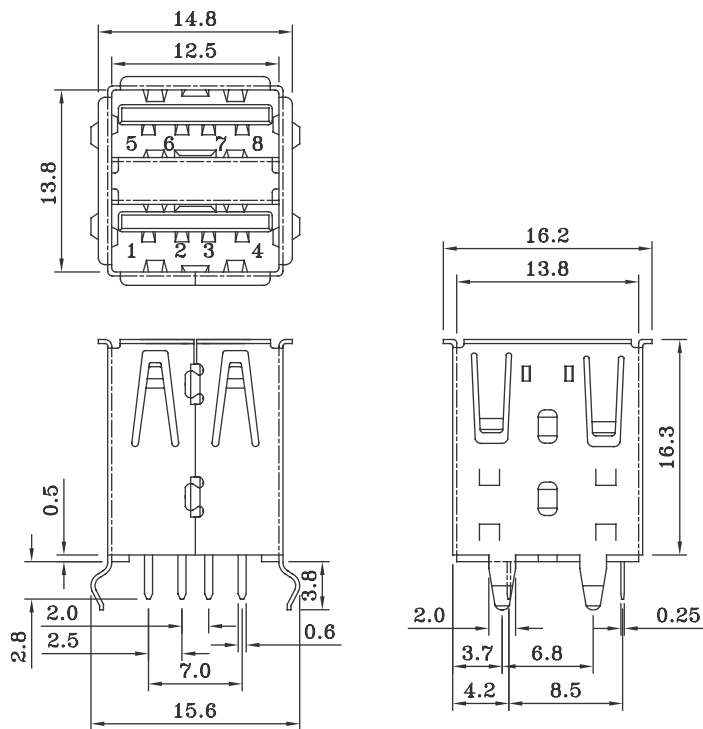
PCB LAYOUT (BOTTOM VIEW)

NO.	NAME	MATERIAL	FINISH	Q'TY	REMARK
1	HOUSING	P.B.T.	BLACK/WHITE	1	
2	PIN TERM.	COPPER ALLOY	GOLD-TIN PLATED	8	Ni:1~5u ; TIN:3u GOLD:1~3µ
3	SHELL	BRASS,0.3mm	TIN PLATED	1	TIN:3~5u
4	SHELL	BRASS,0.3mm	TIN PLATED	1	TIN:3~5u
5	SHELL	SPCC,0.3mm	NICKEL PLATED	1	

Part No.:USB-002-A□-L

B:Black W:White

USB FEMALE DUAL PORTS DIP 180 A TYPE



PCB LAYOUT (BOTTOM VIEW)

NO.	NAME	MATERIAL	FINISH	Q'TY	REMARK
1	HOUSING	P.B.T.	BLACK/WHITE	1	
2	PIN TERM.	COPPER ALLOY	GOLD-TIN PLATED	8	Ni:1~5u ; TIN:3u GOLD:1~3µ
3	SHELL	BRASS,0.3mm	NICKEL PLATED	1	Ni:2~3u
4	SHELL	BRASS,0.3mm	NICKEL PLATED	1	Ni:2~3u
5	SPACER	P.C.	NATURAL	2	

Part No.:USB-002K-A1□-L

B:Black W:White