

Turns Ratio (± 5%)

2:1:1

MULTI-PURPOSE PULSE TRANSFORMER

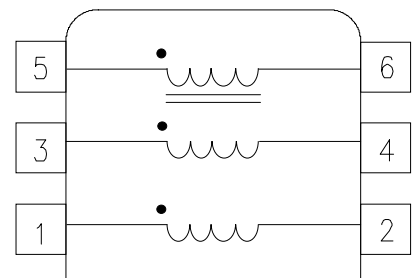
Flammability: Materials used in the production of these units meet requirements of UL94-VO and IEC 695-2-2 needle flame test.

Parts shipped in anti-static tubes. 50 pieces per tube

PARAMETER	MIN.	MAX.	UNITS
Open Circuit Inductance ¹	2000		μHy
Leakage Inductance ²		1.8	μHy
Interwinding Capacitance (C _{W/W}) ²		30	pF
Primary DC Resistance		2.5	ohms
Secondary DC Resistance		1.4	ohms
Primary ET-Constant	16		Vμs
Rise Time		11	nS
Isolation (HI-POT)	500		V _{RMS}
Average Power Rating	500 mW		
Dissipation Rating	150 mW		
Peak Pulse Voltage	100 volts		
Insulation Resistance	10,000 MΩ		
TEST CONDITIONS:²			
Oscillation Voltage = 20mV			
Oscillation Frequency = 1.0 MHz TESTED WITH AN H.P. 4192A			

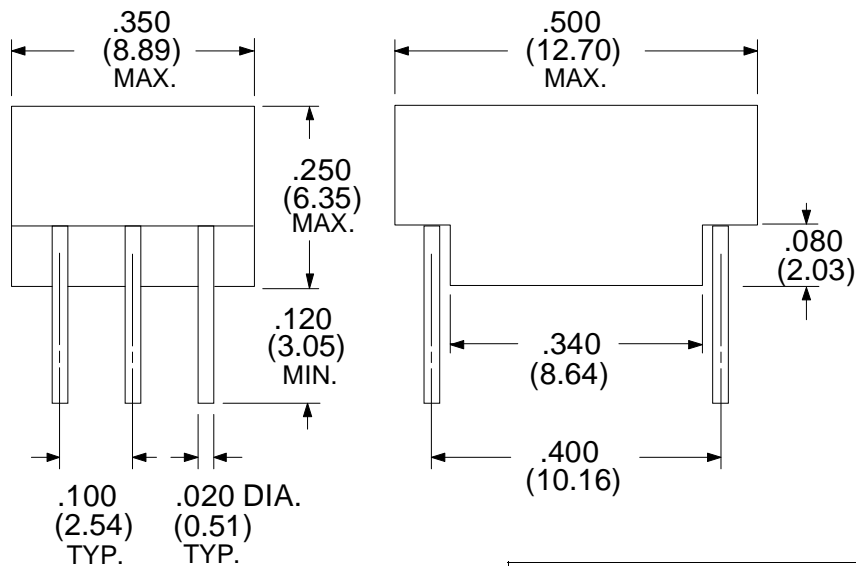
1. Tested at 100 kHz -20 mV

Schematic Style "A"



PHYSICAL DIMENSIONS

All dimensions in inches (mm)



RHOMBUS P/N: **T-50136**

CUST P/N:

NAME:

DATE: 07/02/01

SHEET: 1 OF 1