

# AN8135

## High Speed Low Power Consumption Bipolar 10-Bit A/D Converter

### Overview

The AN8135 is a 10-bit A/D Converter for measurement which employs the high frequency bipolar process to realize the low power consumption.

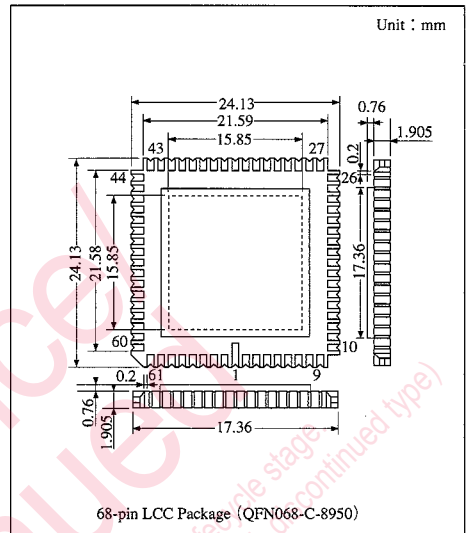
It can operate with single power supply of  $-5.2\text{V}$  and maximum conversion rate of 100 MSPS, realizing the low error rate.

### Features

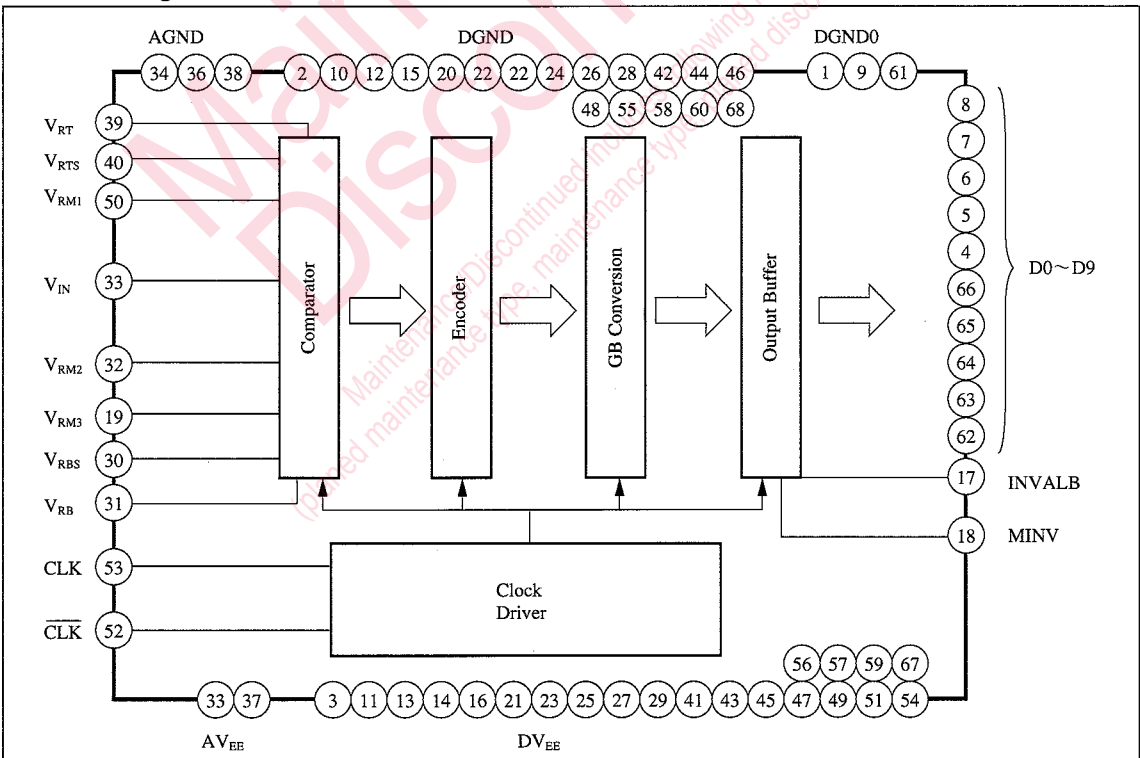
- 10-bit resolution
- Super high speed : maximum conversion rate of 100MSPS (min.)
- Low power consumption : 1.8W (typ.)
- Low input capacitance : 10pF
- Input/Output form : ECL level

### Application Field

- Measuring equipment such as digital oscilloscope
- Image processing



### Block Diagram



A/D and D/A Converters

### ■ Absolute Maximum Rating (Ta=25°C)

Parameter	Symbol	Rating	Unit
Supply voltage	V <sub>EE</sub>	-6.0 to +0.5	V
Analogue input voltage	V <sub>IN</sub>	V <sub>EE</sub> to +0.5	V
Digital input voltage	V <sub>CLK</sub> /V <sub>CLK</sub>	V <sub>EE</sub> to +0.5	V
Digital output current	I <sub>D0</sub> to I <sub>D9</sub>	-20	mA
Reference resistive voltage	I <sub>RT</sub> /I <sub>RB</sub>	+20/-20	mA
Reference input voltage	V <sub>RB</sub> /V <sub>RT</sub>	V <sub>EE</sub> to +0.5	V
Power dissipation	P <sub>D</sub>	1582.2*	mW
Operating ambient temperature	T <sub>opr</sub>	0 to 70	°C
Storage temperature	T <sub>stg</sub>	-55 to +150	°C

\* Under Ta=70°C (With no air and heat emitter)

### ■ Recommended Operating Conditions (Ta=25°C)

Parameter	Symbol	min	typ	max	Unit
Negative supply voltage	V <sub>EE</sub>	-5.4	-5.2	-5.0	V
Reference voltage	V <sub>RTS</sub>	—	0	—	V
	V <sub>RBS</sub>	—	-2.0	—	V
Analogue input voltage	V <sub>IN</sub>	V <sub>RBS</sub>	—	V <sub>RTS</sub>	V
Digital input voltage	V <sub>IH</sub>	—	-0.9	—	V
	V <sub>IL</sub>	—	-1.7	—	V
Clock input pulse width *	t <sub>H</sub>	—	5	—	ns

\* f<sub>CLK</sub> = 100MHz

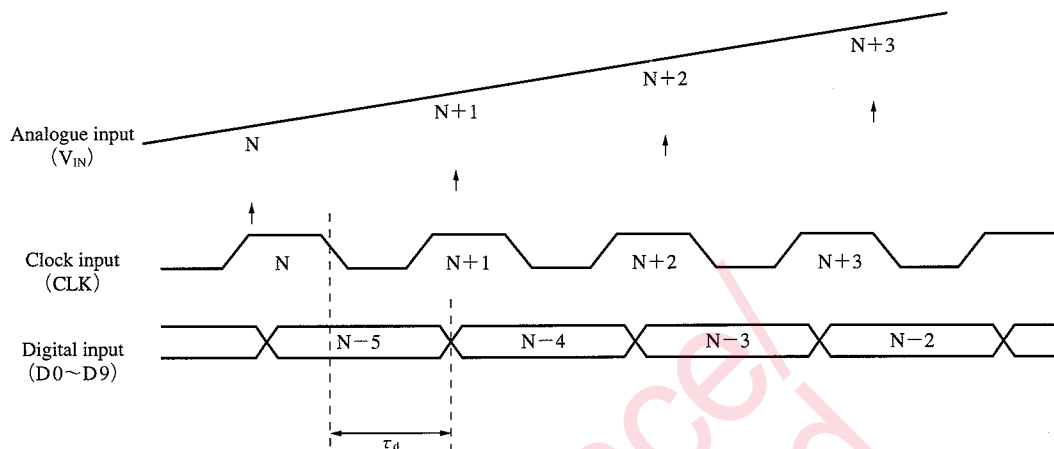
### ■ Electrical Characteristics (V<sub>EE</sub>=5V, Ta=25°C)

Parameter	Symbol	Condition	min	typ	max	Unit
Supply current	I <sub>EE</sub>		-400	-350	—	mA
Reference current	I <sub>RT</sub>	V <sub>RTS</sub> =0V	—	8	14	mA
	I <sub>RB</sub>	V <sub>RBS</sub> =-2.0V	-14	-8	—	mA
Input bias current	I <sub>IN</sub>	V <sub>IN</sub> =-1.0V	—	220	350	μA
Clock input current	I <sub>IH</sub>	V <sub>CLK</sub> =-1.105V	—	—	20	μA
Digital output voltage	V <sub>OH</sub>	R <sub>L</sub> =100Ω TO V <sub>T</sub> =-2.0V	-1.1	—	—	V
	V <sub>OL</sub>		—	—	-1.6	V
Linearity error	E <sub>L</sub>	V <sub>RTS</sub> -V <sub>RBS</sub> =2.0V	—	—	±2.0	LSB
Differential linearity error	E <sub>D</sub>	V <sub>RTS</sub> -V <sub>RBS</sub> =2.0V	—	—	±0.6	LSB
Maximum conversion rate	F <sub>C</sub> MAX		100	—	—	MHz
Input dynamic range			—	2	—	V <sub>P-P</sub>
Equivalent input impedance *1	R <sub>IN</sub>	V <sub>IN</sub> =-1V	—	300	—	kΩ
Input capacitance *1	C <sub>IN</sub>	V <sub>IN</sub> =-1V	—	10	—	pF
Error rate *1		f <sub>CLK</sub> =100MHz, f <sub>IN</sub> =50MHz 12LSB以上	—	—	10 <sup>-12</sup>	tps
Quantization noise *2	SINAD	f <sub>CLK</sub> =100MHz, f <sub>IN</sub> =50MHz	50	54	—	dB
		f <sub>CLK</sub> =100MHz, f <sub>IN</sub> =50MHz	42	45	—	dB
Input band *1	BW <sub>F</sub>	-3dB, V <sub>IN</sub> =2.0V <sub>PP</sub>	—	100	—	MHz
Clock duty *1	DTY	f <sub>CLK</sub> =100MHz	30	50	60	%
Digital output delay *1	τ <sub>d</sub>		(6.8)	7	(7.2)	ns

\*1 Design reference value but not guaranteed one

\*2 Total harmonics distortion included

■ Timing Chart



■ Output Code

Step	Input signal 2.000VFS 1.9531mV STEP		Digital output			
			MINV=L		MINV=H	
			INVALB=L	INVALB=H	INVALB=L	INVALB=H
		M L	M L	M L	M L	
		9876543210	9876543210	9876543210	9876543210	
000	-0.0000000	0000000000	1111111111	1000000000	0111111111	
001	-0.0019531	0000000001	1111111110	1000000001	0111111110	
.	.	.	.	.	.	
.	.	.	.	.	.	
511	-0.9980469	0111111111	1000000000	1111111111	0000000000	
512	-1.0000000	1000000000	0111111111	0000000000	1111111111	
.	.	.	.	.	.	
.	.	.	.	.	.	
1022	-1.9980489	1111111110	0000000001	0111111110	1000000001	
1023	-2.0000000	1111111111	0000000000	0111111111	1000000000	

Note) The digital output is reversed in half clock after shift from MINV to INVALB.



### Pin Descriptions

Pin No.	Symbol	Pin name	Standard waveform	Voltage level	Description
35	$V_{IN}$	Analogue input		-2~0V	It is an input pin of analogue for A/D conversion circuit.
34, 36 38	AGND	Analogue ground		0V	Connect the AGND and DGND with the possible lowest impedance at one point as near as the chip.
33, 37	$AV_{EE}$	Analogue negative power supply pin		-5.2V	It is a power supply pin for analogue circuit block. Connect tantalum capacitor of several $\mu F$ and ceramic capacitor of 0.1 $\mu F$ as near as possible to this pin between this pin and AGND.
3, 11 13, 14 16, 21 23, 25 27, 29 41, 43 45, 47 19, 51 54, 56 57, 59 67	$DV_{EE}$	Digital negative power supply pin		-5.2V	It is a power supply pin for digital circuit block. Connect tantalum capacitor of several $\mu F$ and ceramic capacitor of 0.1 $\mu F$ as near as possible to this pin between this pin and DGND.
39 40 50 32 19 31 30	$V_{RT}$ $V_{RTS}$ $V_{RM1}$ $V_{RM2}$ $V_{RM3}$ $V_{RB}$ $V_{RBS}$	Reference voltage high level, Monitor pin for $V_{RT}$ , Reference voltage middle point level, Reference voltage middle point level, Reference voltage middle point level, Reference voltage low level, Monitor pin for $V_{RB}$		0.03V 0V -0.5V -1.0V -1.5V -2.03V -2.0V	It is used to set the reference voltage for comparator. Normally, $V_{RT}$ is given 0V and $V_{RB}$ is given -2V. Connect tantalum capacitor of several $\mu F$ and ceramic of 0.1 $\mu F$ in parallel between each pin and analogue ground. $V_{RM1-3}$ are provided for linearity compensation, which give middle point potential between $V_{RTS}$ and $V_{RBS}$ . However, they are normally opened. $V_{RTS}$ and $V_{RBS}$ are sense pins of $V_{RT}$ and $V_{RB}$ respectively.
2, 10 12, 15 20, 22 24, 26 28, 42 44, 46 48, 55 58, 60 68	DGND	Digital ground		0V	Connect AGND and DGND with the possible lowest impedance at one point as near as possible to the chip.
1, 9, 61	DGND0	Digital ground for output		0V	It is a ground pin for digital output.
53 52	$CLK$ $CLK$	Clock input	Refer to timing chart.	ECL	It is a clock for sampling. For their timing, refer to the timing chart.
8 7 6 5 4 66 65 64 63 62	$D_0$ $D_1$ $D_2$ $D_3$ $D_4$ $D_5$ $D_6$ $D_7$ $D_8$ $D_9$	Digital output (LSB) Digital output Digital output Digital output Digital output Digital output Digital output Digital output Digital output Digital output (MSB)	Refer to timing chart.	ECL	It is an output pin of TTL Level.
18 17	MINV INVALB	MSB reverse pin, Total bit reverse pin		ECL	Setting the MINV pin to "H" level reverses the data output $D_9$ . Setting the INVALB pin "H" level reverses the data outputs ( $D_0$ - $D_9$ ). The outputs are reversed synchronously with clock.

## Request for your special attention and precautions in using the technical information and semiconductors described in this book

- (1) If any of the products or technical information described in this book is to be exported or provided to non-residents, the laws and regulations of the exporting country, especially, those with regard to security export control, must be observed.
- (2) The technical information described in this book is intended only to show the main characteristics and application circuit examples of the products. No license is granted in and to any intellectual property right or other right owned by Panasonic Corporation or any other company. Therefore, no responsibility is assumed by our company as to the infringement upon any such right owned by any other company which may arise as a result of the use of technical information described in this book.
- (3) The products described in this book are intended to be used for standard applications or general electronic equipment (such as office equipment, communications equipment, measuring instruments and household appliances).  
Consult our sales staff in advance for information on the following applications:
  - Special applications (such as for airplanes, aerospace, automobiles, traffic control equipment, combustion equipment, life support systems and safety devices) in which exceptional quality and reliability are required, or if the failure or malfunction of the products may directly jeopardize life or harm the human body.
  - Any applications other than the standard applications intended.
- (4) The products and product specifications described in this book are subject to change without notice for modification and/or improvement. At the final stage of your design, purchasing, or use of the products, therefore, ask for the most up-to-date Product Standards in advance to make sure that the latest specifications satisfy your requirements.
- (5) When designing your equipment, comply with the range of absolute maximum rating and the guaranteed operating conditions (operating power supply voltage and operating environment etc.). Especially, please be careful not to exceed the range of absolute maximum rating on the transient state, such as power-on, power-off and mode-switching. Otherwise, we will not be liable for any defect which may arise later in your equipment.
  - Even when the products are used within the guaranteed values, take into the consideration of incidence of break down and failure mode, possible to occur to semiconductor products. Measures on the systems such as redundant design, arresting the spread of fire or preventing glitch are recommended in order to prevent physical injury, fire, social damages, for example, by using the products.
- (6) Comply with the instructions for use in order to prevent breakdown and characteristics change due to external factors (ESD, EOS, thermal stress and mechanical stress) at the time of handling, mounting or at customer's process. When using products for which damp-proof packing is required, satisfy the conditions, such as shelf life and the elapsed time since first opening the packages.
- (7) This book may be not reprinted or reproduced whether wholly or partially, without the prior written permission of our company.