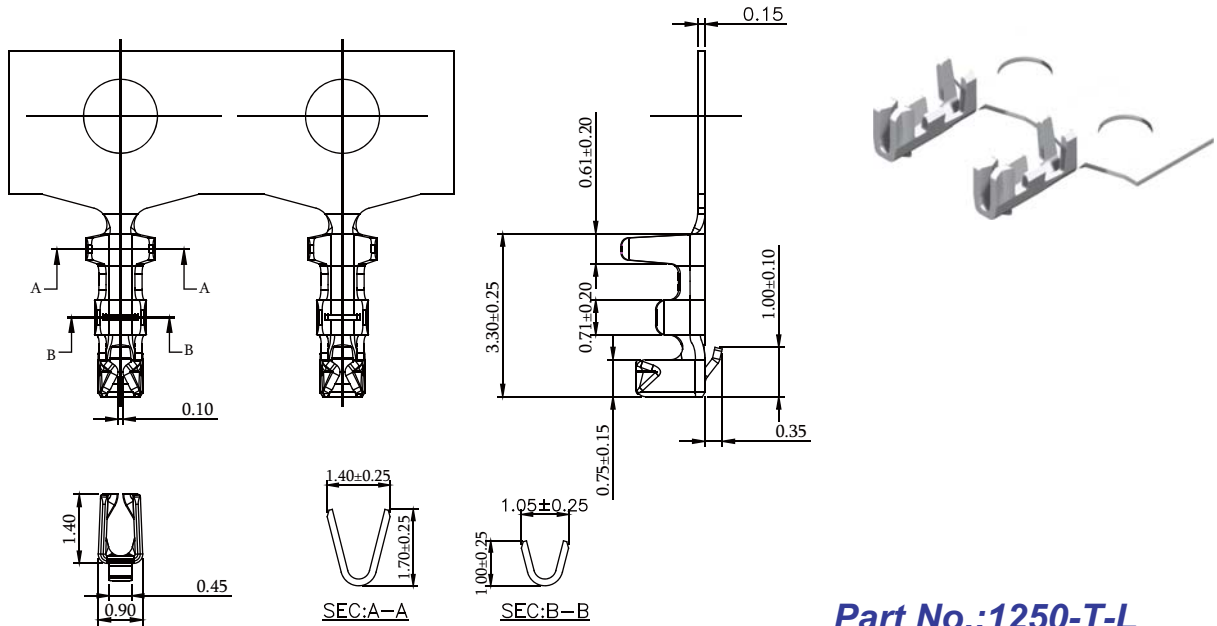


## 1.25mm Terminal / Housing

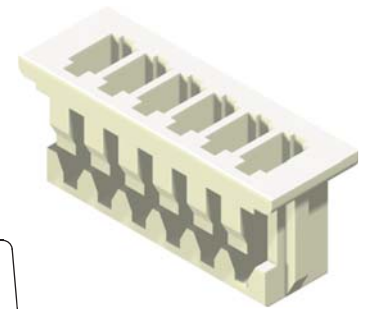


Part No.:1250-T-L

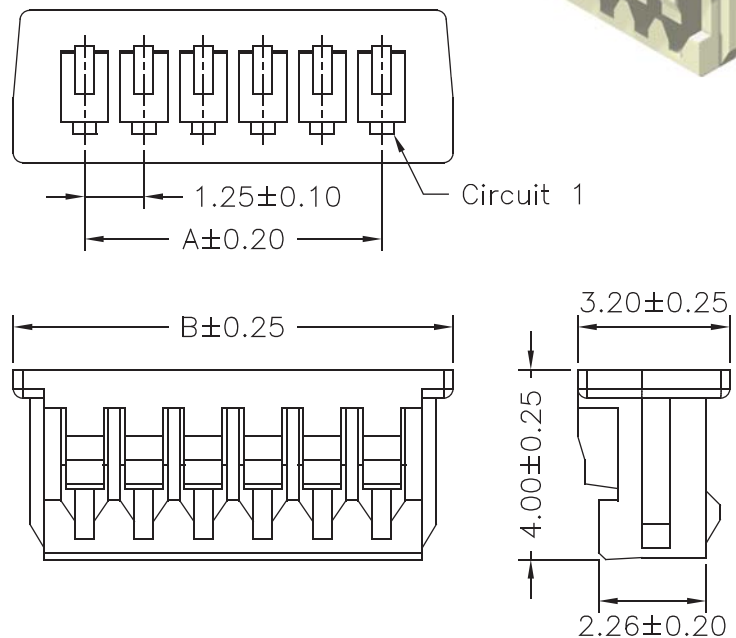
Part No.	Wire Range	Insulation O.D.	Material	Finish
1250-TTP-L	AWG#28-#32	1.00mm(max)	Phosphor Bronze	Tin Plated
1250-TGP-L	AWG#28-#32	1.00mm(max)	Phosphor Bronze	Gold Plated

### Specifications

Current Rating: 1A AC,DC  
 Voltage Rating: 125V AC,DC  
 Temperature Range: -25°C to +85°C  
 Contact Resistance: 20mΩ Max  
 Insulation Resistance: 100MΩ Min  
 Withstanding Voltage: 500V AC/minute  
 Material:PBT,UL94V-0



Part No.	Dimensions	
	A	B
1250H-02W-L	1.25	4.25
1250H-03W-L	2.50	5.50
1250H-04W-L	3.75	6.75
1250H-05W-L	5.00	8.00
1250H-06W-L	6.25	9.25
1250H-07W-L	7.50	10.50
1250H-08W-L	8.75	11.75
1250H-09W-L	10.00	13.00
1250H-10W-L	11.25	14.25
1250H-11W-L	12.50	15.50
1250H-12W-L	13.75	16.75
1250H-13W-L	15.00	18.00
1250H-14W-L	16.25	19.25
1250H-15W-L	17.50	20.50
1250H-16W-L	18.75	21.75
1250H-17W-L	20.00	23.00
1250H-18W-L	21.25	24.25



Part No.:1250H-XXW-L