

Description

The **SiT3343** is a ruggedized 220.000001 MHz to 720 MHz differential MEMS VCXO with a maximum acceleration sensitivity of 0.1 ppb/g, engineered for low-jitter applications. Utilizing SiTime's unique DualMEMS® temperature sensing and TurboCompensation® technology, the SiT3343 delivers exceptional dynamic performance by providing resistance to airflow, thermal gradients, shock and vibration. This device also integrates multiple on-chip regulators to filter power supply noise, eliminating the need for a dedicated external LDO.

The **SiT3343** can be factory programmed for any combination of frequency, stability, voltage, output signaling, and pull range. Programmability enables designers to optimize clock configurations while eliminating long lead times and customization costs associated with quartz devices where each frequency is custom built.

Refer to [Manufacturing Notes](#) for proper reflow profile, tape and reel dimension, and other manufacturing related information.

Features

- Best acceleration sensitivity of 0.1 ppb/g
- Any frequency between 220.000001 MHz and 725 MHz accurate to 6 decimal places
- Widest pull range options: ±25, ±50, ±80, ±100, ±150, ±200, ±400, ±800, ±1600, ±3200 ppm
- 0.225 ps RMS phase jitter (typ) over 12 kHz to 20 MHz bandwidth
- Frequency stability as low as ±15 ppm
- Wide temperature range support from -40°C to 105°C
- Industry-standard packages: 7.0 x 5.0 mm, 5.0 x 3.2 mm, 3.2 x 2.5 mm packages

Applications

- Airborne Communications
- Command and Control
- Field Communications
- Airframe/Engine Management Control
- Avionics
- Satellite Base Stations/GNSS
- Telemetry



Block Diagram

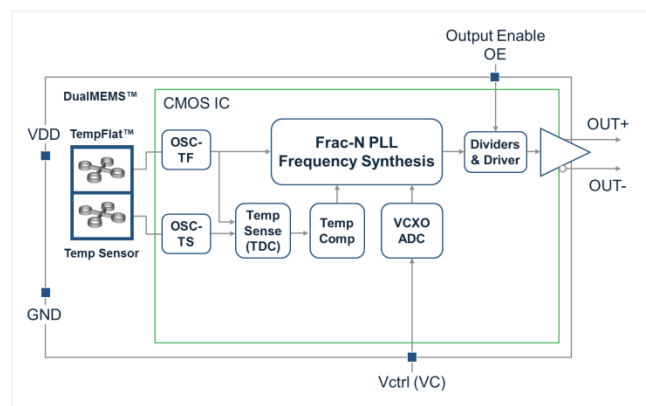


Figure 1. SiT3343 Block Diagram

3.2 x 2.5 mm Package Pinout

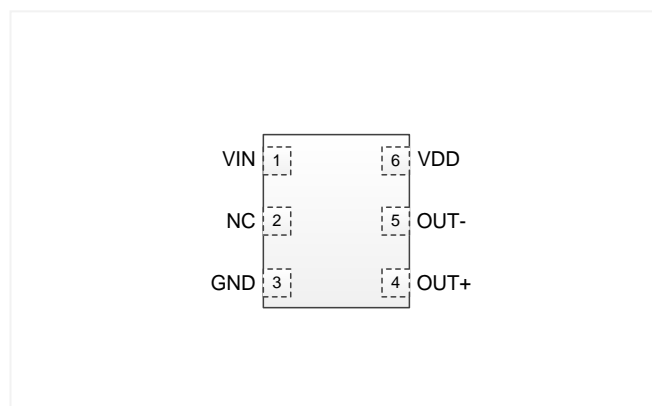
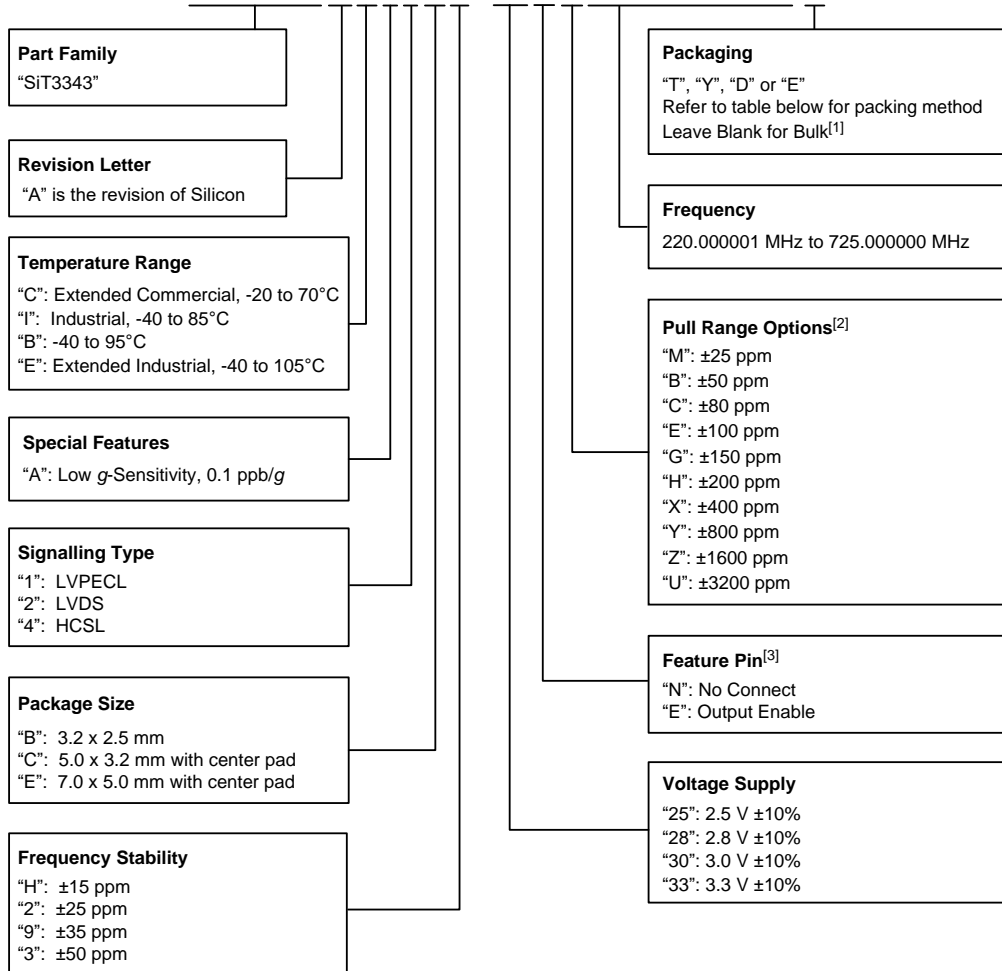


Figure 2. Pin Assignments (Top view)
(Refer to [Table 6](#) for Pin Descriptions)

Ordering Information

SiT3343AE A1 B2 -33NH220.123456T



Notes:

1. Bulk is available for sampling only.
2. Contact SiTime for custom pull range options.
3. "E": Output Enable function is only available in 7.0 x 5.0 mm and 5.0 x 3.2 mm packages.

Table 1. Ordering Codes for Supported Tape & Reel Packing Method

Device Size (mm x mm)	8 mm T&R (3ku)	8 mm T&R (1ku)	12 mm T&R (3ku)	12 mm T&R (1ku)	16 mm T&R (3ku)	16 mm T&R (1ku)
7.0 x 5.0	–	–	–	–	T	Y
5.0 x 3.2	–	–	T	Y	–	–
3.2 x 2.5	D	E	T	Y	–	–

TABLE OF CONTENTS

Description.....1
Features1
Applications1
Block Diagram1
Ordering Information.....2
Electrical Characteristics4
Waveform Diagrams10
Timing Diagrams11
Termination Diagrams12
 LVPECL.....12
 LVDS13
 HCSL.....13
Dimensions and Patterns — 3.2 x 2.5 mm14
Dimensions and Patterns — 5.0 x 3.2 mm14
Dimensions and Patterns — 7.0 x 5.0 mm15
Additional Information16
Revision History.....17

Electrical Characteristics

Table 2. Electrical Characteristics – Common to LVPECL, LVDS and HCSL

All Min and Max limits in the Electrical Characteristics tables are specified over temperature and rated operating voltage with standard output termination shown in the termination diagrams. Typical values are at 25°C and nominal supply voltage.

Parameter	Symbol	Min.	Typ.	Max.	Unit	Condition
Frequency Range						
Output Frequency Range	f	220.000001	–	725	MHz	Accurate to 6 decimal places
Frequency Stability						
Frequency Stability	F_stab	-15	–	+15	ppm	Inclusive of initial tolerance, operating temperature, rated power supply voltage, load variations, and first year aging at 25°C, with VIN voltage at Vdd/2. ±15 ppm is only guaranteed for pull range up to ±100 ppm.
		-25	–	+25	ppm	
		-35	–	+35	ppm	
		-50	–	+50	ppm	
Temperature Range						
Operating Temperature Range	T_use	-20	–	+70	°C	Extended Commercial
		-40	–	+85	°C	Industrial
		-40	–	+95	°C	
		-40	–	+105	°C	Extended Industrial
Rugged Characteristics						
Acceleration (g) sensitivity, Gamma Vector	F_g	–	–	0.1	ppb/g	Low sensitivity grade; total gamma over 3 axes; 15 Hz to 2 kHz; MIL-PRF-55310, computed per section 4.8.18.3.1
Supply Voltage						
Supply Voltage	Vdd	2.97	3.30	3.63	V	
		2.70	3.00	3.30	V	
		2.52	2.80	3.08	V	
		2.25	2.50	2.75	V	
Voltage Control Characteristics						
Pull Range	PR	±25, ±50, ±80, ±100, ±150, ±200, ±400, ±800, ±1600, ±3200			ppm	See the APR (Absolute Pull Range) Table 11 . Contact SiTime for custom pull range options
Upper Control Voltage	VC_U	90%	–	–	Vdd	Voltage at which maximum frequency deviation is guaranteed
Lower Control Voltage	VC_L	–	–	10%	Vdd	Voltage at which minimum frequency deviation is guaranteed
Control Voltage Input Impedance	VC_z	–	10	–	MΩ	
Control Voltage Input Bandwidth	V_c	–	10	–	kHz	Contact SiTime for other input bandwidth options
Pull Range Linearity	Lin	–	–	1.0	%	
Frequency Change Polarity	–	Positive Slope			–	
Input Characteristics						
Input Voltage High	VIH	70%	–	–	Vdd	Pin 2, OE
Input Voltage Low	VIL	–	–	30%	Vdd	Pin 2, OE
Input Pull-up Impedance	Z_in	–	100	–	kΩ	Pin 2, OE logic high or logic low
Output Characteristics						
Duty Cycle	DC	45	–	55	%	
Startup and OE Timing						
Start-up Time	T_start	–	–	3.0	ms	Measured from the time Vdd reaches its rated minimum value.
OE Enable/Disable Time	T_oe	–	–	3.8	µs	f = 322.265625 MHz. Measured from the time OE pin reaches rated VIH and VIL to the time clock pins reach 90% of swing and high-Z. See Figure 9 and Figure 10

Table 3. Electrical Characteristics – LVPECL Specific

Parameter	Symbol	Min.	Typ.	Max.	Unit	Condition
Current Consumption						
Current Consumption	I _{dd}	–	–	97	mA	Excluding Load Termination Current, V _{dd} = 3.3 V or 2.5 V
OE Disable Supply Current	I _{OE}	–	–	63	mA	OE = Low
Output Disable Leakage Current	I _{leak}	–	0.15	–	μA	OE = Low
Maximum Output Current	I _{driver}	–	–	32	mA	Maximum average current drawn from OUT+ or OUT-
Output Characteristics						
Output High Voltage	VOH	V _{dd} -1.15	–	V _{dd} -0.7	V	See Figure 5
Output Low Voltage	VOL	V _{dd} -1.9	–	V _{dd} -1.5	V	See Figure 5
Output Differential Voltage Swing	V _{Swing}	1.2	1.6	2.0	V	See Figure 6
Rise/Fall Time	T _r , T _f	–	225	290	ps	20% to 80%, see Figure 6
Jitter – 7.0 x 5.0 mm Package						
RMS Period Jitter ^[4]	T _{jitt}	–	1.0	1.6	ps	f = 322.265625 MHz, V _{dd} = 3.3 V or 2.5 V
RMS Phase Jitter (random)	T _{phj}	–	0.220	0.270	ps	f = 322.265625 MHz, Integration bandwidth = 12 kHz to 20 MHz, all V _{dd} levels, includes spurs, pull range = ±100 ppm. Temperature ranges -20 to 70°C and -40 to 85°C
		–	0.220	0.300	ps	f = 322.265625 MHz, Integration bandwidth = 12 kHz to 20 MHz, all V _{dd} levels, includes spurs, pull range = ±100 ppm. Temperature ranges -40 to 95°C and -40 to 105°C
		–	0.1	–	ps	f = 156.25 or 322.265625 MHz, IEEE802.3-2005 10 GbE jitter mask integration bandwidth = 1.875 MHz to 20 MHz, all V _{dd} levels
Jitter – 5.0 x 3.2 mm and 3.2 x 2.5 mm Packages						
RMS Period Jitter ^[4]	T _{jitt}	–	1.0	1.6	ps	f = 322.265625 MHz, V _{dd} = 3.3 V or 2.5 V
RMS Phase Jitter (random)	T _{phj}	–	0.225	0.282	ps	f = 322.265625 MHz, Integration bandwidth = 12 kHz to 20 MHz, all V _{dd} levels, includes spurs, pull range = ±100 ppm. Temperature ranges -20 to 70°C and -40 to 85°C
		–	0.225	0.315	ps	f = 322.265625 MHz, Integration bandwidth = 12 kHz to 20 MHz, all V _{dd} levels, includes spurs, pull range = ±100 ppm. Temperature ranges -40 to 95°C and -40 to 105°C
		–	0.1	–	ps	f = 322.265625 MHz, IEEE802.3-2005 10 GbE jitter mask integration bandwidth = 1.875 MHz to 20 MHz, all V _{dd} levels

Notes:

4. Measured according to JESD65B.

Table 4. Electrical Characteristics – LVDS Specific

Parameter	Symbol	Min.	Typ.	Max.	Unit	Condition
Current Consumption						
Current Consumption	I _{dd}	–	–	89	mA	Excluding Load Termination Current, V _{dd} = 3.3 V or 2.5 V
OE Disable Supply Current	I _{OE}	–	–	67	mA	OE = Low
Output Disable Leakage Current	I _{leak}	–	0.15	–	μA	OE = Low
Output Characteristics						
Differential Output Voltage	V _{OD}	250	–	450	mV	See Figure 7
Delta VOD	ΔV _{OD}	–	–	50	mV	See Figure 7
Offset Voltage	V _{OS}	1.125	–	1.375	V	See Figure 7
Delta VOS	ΔV _{OS}	–	–	50	mV	See Figure 7
Rise/Fall Time	T _r , T _f	–	370	470	ps	Measured with 2 pF capacitive loading to GND, 20% to 80%, see Figure 8
Jitter – 7.0 x 5.0 mm package						
RMS Period Jitter ^[5]	T _{jitt}	–	0.92	1.6	ps	f = 322.265625 MHz, V _{dd} = 3.3 V or 2.5 V
RMS Phase Jitter (random)	T _{phj}	–	0.215	0.265	ps	f = 322.265625 MHz, Integration bandwidth = 12 kHz to 20 MHz, all V _{dd} levels, includes spurs, pull range = ±100 ppm. Temperature ranges -20 to 70°C and -40 to 85°C
		–	0.215	0.280	ps	f = 322.265625 MHz, Integration bandwidth = 12 kHz to 20 MHz, all V _{dd} levels, includes spurs, pull range = ±100 ppm. Temperature ranges -40 to 95°C and -40 to 105°C
		–	0.1	–	ps	f = 322.265625 MHz, IEEE802.3-2005 10 GbE jitter mask integration bandwidth = 1.875 MHz to 20 MHz, includes spurs, all V _{dd} levels
Jitter – 5.0 x 3.2 mm and 3.2 x 2.5 mm packages						
RMS Period Jitter ^[5]	T _{jitt}	–	0.92	1.6	ps	f = 322.265625 MHz, V _{dd} = 3.3 V or 2.5 V
RMS Phase Jitter (random)	T _{phj}	–	0.235	0.282	ps	f = 322.265625 MHz, Integration bandwidth = 12 kHz to 20 MHz, all V _{dd} levels, includes spurs, pull range = ±100 ppm. Temperature ranges -20 to 70°C and -40 to 85°C
		–	0.235	0.310	ps	f = 322.265625 MHz, Integration bandwidth = 12 kHz to 20 MHz, all V _{dd} levels, includes spurs, pull range = ±100 ppm. Temperature ranges -40 to 95°C and -40 to 105°C
		–	0.1	–	ps	f = 322.265625 MHz, IEEE802.3-2005 10 GbE jitter mask integration bandwidth = 1.875 MHz to 20 MHz, includes spurs, all V _{dd} levels

Notes:

5. Measured according to JESD65B.

Table 5. Electrical Characteristics – HCSL Specific

Parameter	Symbol	Min.	Typ.	Max.	Unit	Condition
Current Consumption						
Current Consumption	I _{dd}	–	–	102	mA	Excluding Load Termination Current, V _{dd} = 3.3 V or 2.5 V
OE Disable Supply Current	I _{OE}	–	–	67	mA	OE = Low
Output Disable Leakage Current	I _{leak}	–	0.15	–	μA	OE = Low
Output Characteristics						
Output High Voltage	VOH	0.6	–	0.90	V	See Figure 5
Output Low Voltage	VOL	-0.05	–	0.08	V	See Figure 5
Output Differential Voltage Swing	V _{Swing}	1.2	1.4	1.8	V	See Figure 6
Rise/Fall Time	T _r , T _f	–	360	470	ps	Measured with 2 pF capacitive loading to GND, 20% to 80%, see Figure 6
Jitter – 7.0 x 5.0 mm package						
RMS Period Jitter^[6]	T _{jitt}	–	1.0	1.6	ps	f = 322.265625 MHz, V _{dd} = 3.3 V or 2.5 V
RMS Phase Jitter (random)	T _{phj}	–	0.215	0.265	ps	f = 322.265625 MHz, Integration bandwidth = 12 kHz to 20 MHz, all V _{dd} levels, includes spurs, Pull Range = ±100 ppm
		–	0.215	0.282	ps	f = 322.265625 MHz, Integration bandwidth = 12 kHz to 20 MHz, all V _{dd} levels, includes spurs, pull range = ±100 ppm. Temperature ranges -20 to 70°C and -40 to 85°C
		–	0.1	–	ps	f = 322.265625 MHz, IEEE802.3-2005 10 GbE jitter mask integration bandwidth = 1.875 MHz to 20 MHz, includes spurs, all V _{dd} levels
Jitter – 5.0 x 3.2 mm and 3.2 x 2.5 mm packages						
RMS Period Jitter^[6]	T _{jitt}	–	1.0	1.6	ps	f = 322.265625 MHz, V _{dd} = 3.3 V or 2.5 V
RMS Phase Jitter (random)	T _{phj}	–	0.235	0.282	0.215	f = 322.265625 MHz, Integration bandwidth = 12 kHz to 20 MHz, all V _{dd} levels, includes spurs, pull range = ±100 ppm. Temperature ranges -20 to 70°C and -40 to 85°C
		–	0.235	0.305	0.215	f = 322.265625 MHz, Integration bandwidth = 12 kHz to 20 MHz, all V _{dd} levels, includes spurs, pull range = ±100 ppm. Temperature ranges -40 to 95°C and -40 to 105°C
		–	0.1	–	0.1	f = 322.265625 MHz, IEEE802.3-2005 10 GbE jitter mask integration bandwidth = 1.875 MHz to 20 MHz, includes spurs, all V _{dd} levels

Notes:

6. Measured according to JESD65B.

Table 6. Pin Description

Pin	Symbol		Functionality
1	VIN	Input	Control Voltage
2	NC/OE	No Connect (NC)	No Connect: Leave floating or connect to GND for better heat dissipation. NC for all 3.2 x 2.5 mm package options.
		Output Enable (OE)	H ^[7,8] : specified frequency output L: output is high impedance. Only output driver is disabled. OE function only available on 7050 and 5032 packages. Pin 2 on 3225 package is NC.
3	GND	Power	Vdd Power Supply Ground
4	OUT+	Output	Oscillator output
5	OUT-	Output	Complementary oscillator output
6	VDD	Power	Power supply voltage ^[9]

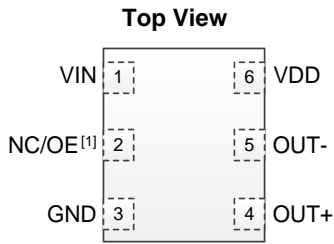


Figure 3. Pin Assignments (7.0 x 5.0 mm and 5.0 x 3.2 mm packages)

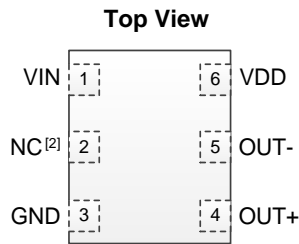


Figure 4. Pin Assignments (3.2 x 2.5 mm package)

Notes:

- 7. A pull-up resistor of 10 kΩ or less is recommended if pin 1 is not externally driven.
- 8. OE mode is only available in the 7050 and 5032 packages. 3225 package is NC.
- 9. A capacitor of value 0.1 μF or higher between VDD and GND is required. An additional 10 μF capacitor between VDD and GND is required for the best phase jitter performance.

Table 7. Absolute Maximum Ratings

Attempted operation outside the absolute maximum ratings may cause permanent damage to the part. Actual performance of the IC is only guaranteed within the operational specifications, not at absolute maximum ratings.

Parameter	Min.	Max.	Unit
Continuous Power Supply Voltage Range (Vdd)	-0.5	4.0	V
Input Voltage, Maximum (any input pin)		Vdd + 0.3 V	V
Input Voltage, Minimum (any input pin)	-0.3		V
Storage Temperature	-65	150	°C
Maximum Junction Temperature		145	°C
Soldering Temperature (follow standard Pb-free soldering guidelines)		260	°C

Table 8. Thermal Considerations^[10]

Package	θ_{JA} , 4 Layer Board (°C/W)	θ_{JC} , Bottom (°C/W)
3225, 6-pin	80	30
5032, 6-pin	53 ^[11]	20
7050, 6-pin	52 ^[11]	19

Notes:

10. Refer to JESD51 for θ_{JA} and θ_{JC} definitions, and reference layout used to determine the θ_{JA} and θ_{JC} values in the above table.
11. Value for θ_{JA} assumes the center pad is soldered down.

Table 9. Maximum Operating Junction Temperature^[12]

Max Operating Temperature (ambient)	Maximum Operating Junction Temperature: 3225 Package	Maximum Operating Junction Temperature: 5032, 7050 Packages
70°C	105°C	95°C
85°C	130°C	110°C
95°C	130°C	120°C
105°C	145°C	130°C

Notes:

12. Datasheet specifications are not guaranteed if junction temperature exceeds the maximum operating junction temperature.

Table 10. Environmental Compliance

Parameter	Test Conditions	Value	Unit
Mechanical Shock Resistance	MIL-STD-883F, Method 2002	10,000	g
Mechanical Vibration Resistance	MIL-STD-883F, Method 2007	70	g
Soldering Temperature (follow standard Pb free soldering guidelines)	MIL-STD-883F, Method 2003	260	°C
Moisture Sensitivity Level	MSL1 @ 260°C		
Electrostatic Discharge (HBM)	HBM, JESD22-A114	2,000	V
Charge-Device Model ESD Protection	JESD220C101	750	V
Latch-up Tolerance	JESD78 Compliant		

Waveform Diagrams

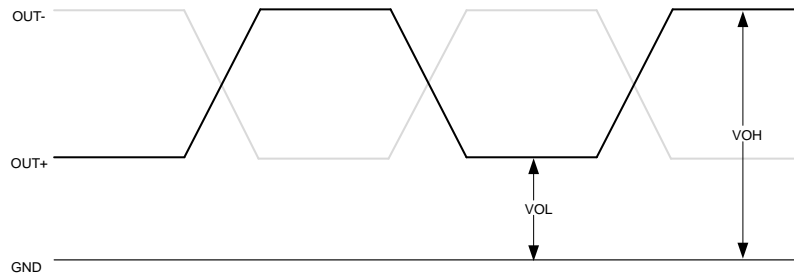


Figure 5. LVPECL, HCSL Voltage Levels per Differential Pin (i.e. OUT+, or OUT-)

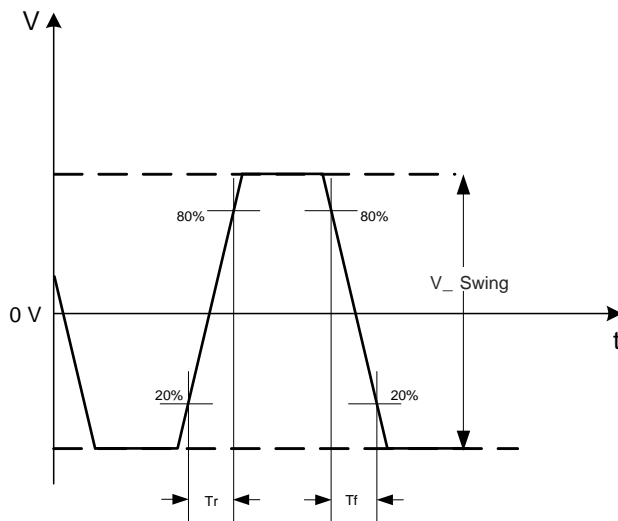


Figure 6. LVPECL, HCSL Voltage Levels across Differential Pair (i.e. OUT+ minus OUT-)

Waveform Diagrams (continued)

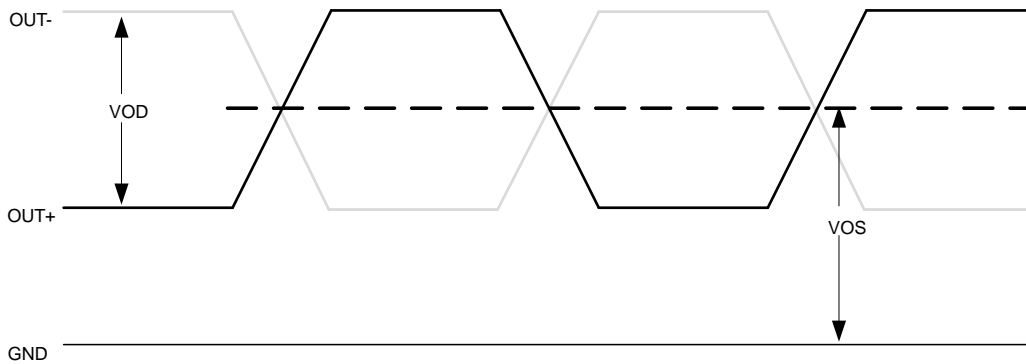


Figure 7. LVDS Voltage Levels per Differential Pin (i.e. OUT+, or OUT-)

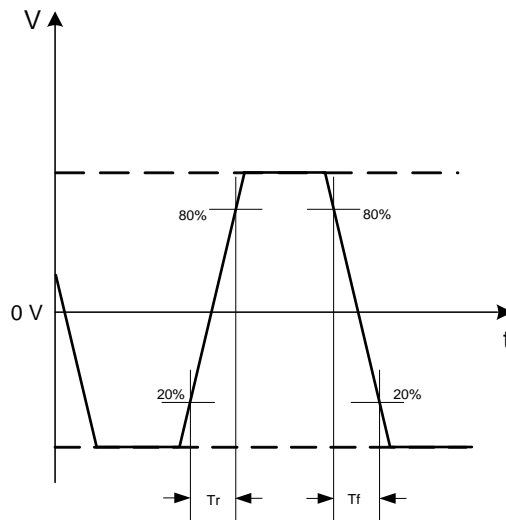


Figure 8. LVDS Differential Waveform (i.e. OUT+ minus OUT-)

Timing Diagrams

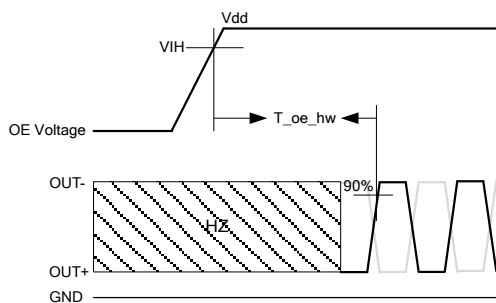


Figure 9. Hardware OE Enable Timing

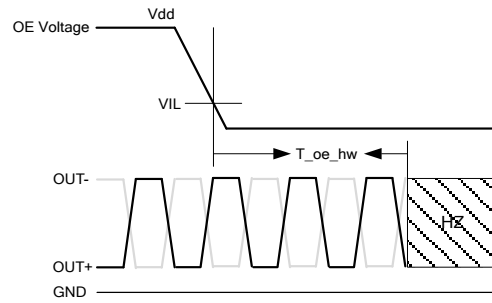


Figure 10. Hardware OE Disable Timing

Termination Diagrams

LVPECL

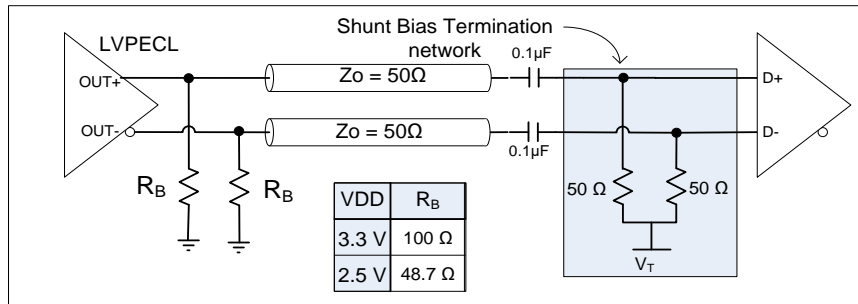


Figure 11. LVPECL with AC-coupled termination

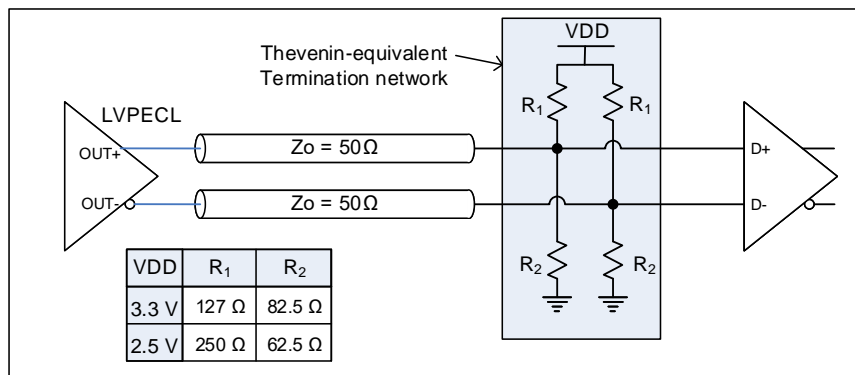


Figure 12. LVPECL DC-coupled load termination with Thevenin equivalent network

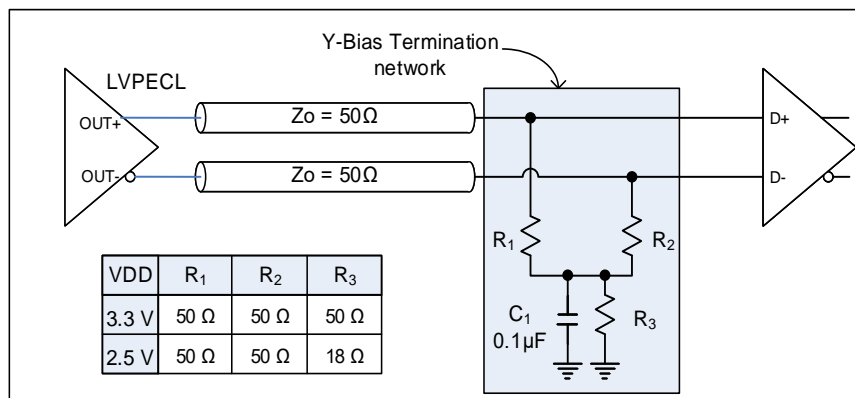


Figure 13. LVPECL with Y-Bias termination

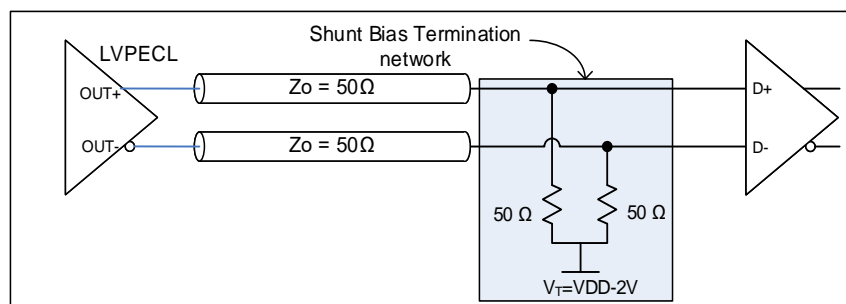


Figure 14. LVPECL with DC-coupled parallel shunt load termination

Termination Diagrams (continued)

LVDS

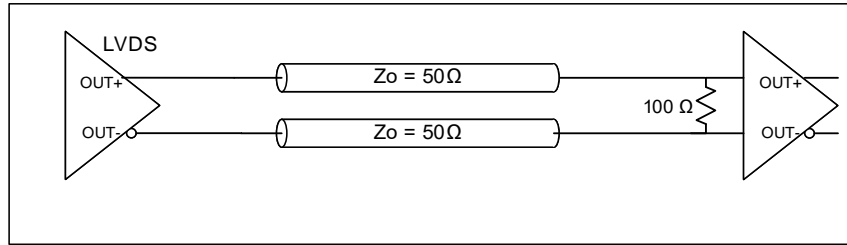


Figure 15. LVDS single DC termination at the load

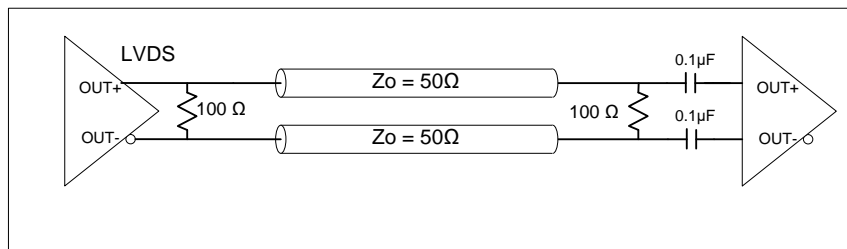


Figure 16. LVDS double AC termination with capacitor close to the load

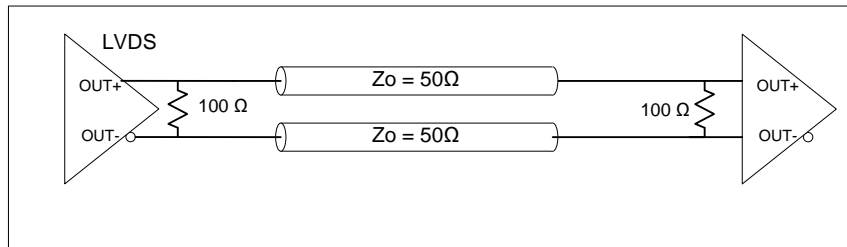


Figure 17. LVDS double DC termination

HCSL

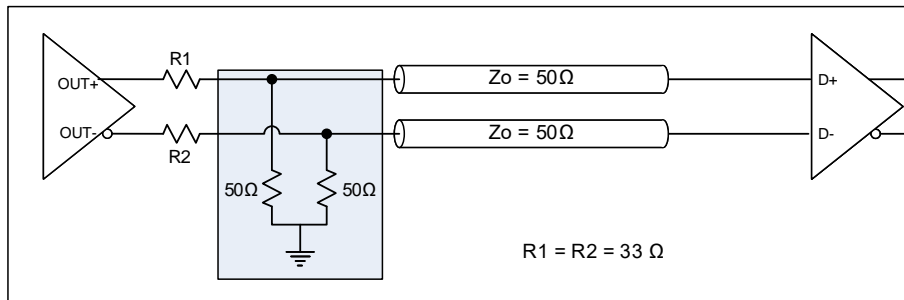


Figure 18. HCSL interface termination

Dimensions and Patterns — 3.2 x 2.5 mm

Package Size – Dimensions (Unit: mm) ^[13]	Recommended Land Pattern (Unit: mm) ^[14]																																																																																		
<p>3.2 x 2.5 x 0.85 mm</p> <table border="1" style="width: 100%; border-collapse: collapse; margin-top: 10px;"> <thead> <tr> <th></th> <th>SYMBOL</th> <th>MIN</th> <th>NOM</th> <th>MAX</th> </tr> </thead> <tbody> <tr> <td>TOTAL THICKNESS</td> <td>A</td> <td>0.800</td> <td>0.850</td> <td>0.900</td> </tr> <tr> <td>STAND OFF</td> <td>A1</td> <td>0.000</td> <td>0.035</td> <td>0.050</td> </tr> <tr> <td rowspan="2">BODY SIZE</td> <td>X</td> <td colspan="3">3.200 BSC</td> </tr> <tr> <td>Y</td> <td colspan="3">2.500 BSC</td> </tr> <tr> <td>LEAD WIDTH</td> <td>b</td> <td>0.550</td> <td>0.600</td> <td>0.650</td> </tr> <tr> <td>LEAD LENGTH</td> <td>L</td> <td>0.650</td> <td>0.700</td> <td>0.750</td> </tr> <tr> <td>LEAD PITCH</td> <td>L1</td> <td colspan="3">0.800 REF</td> </tr> <tr> <td>LEAD PITCH</td> <td>e</td> <td colspan="3">1.100 BSC</td> </tr> <tr> <td>PACKAGE TOLERANCE</td> <td>aaa</td> <td colspan="3">0.100</td> </tr> <tr> <td>MOLD FLATNESS</td> <td>bbb</td> <td colspan="3">0.100</td> </tr> <tr> <td>COPLANARITY</td> <td>ccc</td> <td colspan="3">0.080</td> </tr> <tr> <td>DIMPLE WIDTH</td> <td>T</td> <td colspan="3">0.150 REF</td> </tr> <tr> <td>DIMPLE LENGTH</td> <td>P</td> <td colspan="3">0.150 REF</td> </tr> <tr> <td>DIMPLE DEPTH</td> <td>A2</td> <td colspan="3">0.100 REF</td> </tr> </tbody> </table> <p>Notes 1. All dimensions are in millimeters</p> <table border="1" style="width: 100%; border-collapse: collapse; margin-top: 10px;"> <thead> <tr> <th colspan="2" style="text-align: center;">Package Outline</th> </tr> </thead> <tbody> <tr> <td style="text-align: center;">6L PQFD</td> <td style="text-align: center;">POD-PQFD-006-C03225</td> </tr> <tr> <td colspan="2" style="text-align: center;">3.200x2.500x0.850 mm</td> </tr> <tr> <td colspan="2" style="text-align: center;">2020/09/23 Rev C00 </td> </tr> </tbody> </table>		SYMBOL	MIN	NOM	MAX	TOTAL THICKNESS	A	0.800	0.850	0.900	STAND OFF	A1	0.000	0.035	0.050	BODY SIZE	X	3.200 BSC			Y	2.500 BSC			LEAD WIDTH	b	0.550	0.600	0.650	LEAD LENGTH	L	0.650	0.700	0.750	LEAD PITCH	L1	0.800 REF			LEAD PITCH	e	1.100 BSC			PACKAGE TOLERANCE	aaa	0.100			MOLD FLATNESS	bbb	0.100			COPLANARITY	ccc	0.080			DIMPLE WIDTH	T	0.150 REF			DIMPLE LENGTH	P	0.150 REF			DIMPLE DEPTH	A2	0.100 REF			Package Outline		6L PQFD	POD-PQFD-006-C03225	3.200x2.500x0.850 mm		2020/09/23 Rev C00		<p>3.2 x 2.5 x 0.85 mm</p>
	SYMBOL	MIN	NOM	MAX																																																																															
TOTAL THICKNESS	A	0.800	0.850	0.900																																																																															
STAND OFF	A1	0.000	0.035	0.050																																																																															
BODY SIZE	X	3.200 BSC																																																																																	
	Y	2.500 BSC																																																																																	
LEAD WIDTH	b	0.550	0.600	0.650																																																																															
LEAD LENGTH	L	0.650	0.700	0.750																																																																															
LEAD PITCH	L1	0.800 REF																																																																																	
LEAD PITCH	e	1.100 BSC																																																																																	
PACKAGE TOLERANCE	aaa	0.100																																																																																	
MOLD FLATNESS	bbb	0.100																																																																																	
COPLANARITY	ccc	0.080																																																																																	
DIMPLE WIDTH	T	0.150 REF																																																																																	
DIMPLE LENGTH	P	0.150 REF																																																																																	
DIMPLE DEPTH	A2	0.100 REF																																																																																	
Package Outline																																																																																			
6L PQFD	POD-PQFD-006-C03225																																																																																		
3.200x2.500x0.850 mm																																																																																			
2020/09/23 Rev C00																																																																																			

Dimensions and Patterns — 5.0 x 3.2 mm

Package Size – Dimensions (Unit: mm) ^[13]	Recommended Land Pattern (Unit: mm) ^[14]																																																																																												
<p>5.0 x 3.2 x 0.85 mm^[15]</p> <table border="1" style="width: 100%; border-collapse: collapse; margin-top: 10px;"> <thead> <tr> <th></th> <th>SYMBOL</th> <th>MIN</th> <th>NOM</th> <th>MAX</th> </tr> </thead> <tbody> <tr> <td>TOTAL THICKNESS</td> <td>A</td> <td>0.800</td> <td>0.850</td> <td>0.900</td> </tr> <tr> <td>STAND OFF</td> <td>A1</td> <td>0.000</td> <td>0.035</td> <td>0.050</td> </tr> <tr> <td rowspan="2">BODY SIZE</td> <td>X</td> <td colspan="3">5.000 BSC</td> </tr> <tr> <td>Y</td> <td colspan="3">3.200 BSC</td> </tr> <tr> <td>EP SIZE</td> <td>X</td> <td>3.100</td> <td>3.200</td> <td>3.300</td> </tr> <tr> <td>EP SIZE</td> <td>Y</td> <td>0.500</td> <td>0.600</td> <td>0.700</td> </tr> <tr> <td>LEAD WIDTH</td> <td>b</td> <td>0.590</td> <td>0.640</td> <td>0.690</td> </tr> <tr> <td>LEAD LENGTH</td> <td>L</td> <td>0.850</td> <td>0.900</td> <td>0.950</td> </tr> <tr> <td>LEAD LENGTH</td> <td>L1</td> <td colspan="3">1.000 REF</td> </tr> <tr> <td>LEAD PITCH</td> <td>e</td> <td colspan="3">1.270 BSC</td> </tr> <tr> <td>PACKAGE TOLERANCE</td> <td>aaa</td> <td colspan="3">0.100</td> </tr> <tr> <td>MOLD FLATNESS</td> <td>bbb</td> <td colspan="3">0.100</td> </tr> <tr> <td>COPLANARITY</td> <td>ccc</td> <td colspan="3">0.080</td> </tr> <tr> <td>DIMPLE WIDTH</td> <td>T</td> <td colspan="3">0.300 REF</td> </tr> <tr> <td>DIMPLE LENGTH</td> <td>P</td> <td colspan="3">0.150 REF</td> </tr> <tr> <td>DIMPLE DEPTH</td> <td>A2</td> <td colspan="3">0.100 REF</td> </tr> </tbody> </table> <p>Notes 1. Dimensioning and tolerancing conform to ASME Y14.5-2009 2. All dimensions are in millimeters</p> <table border="1" style="width: 100%; border-collapse: collapse; margin-top: 10px;"> <thead> <tr> <th colspan="2" style="text-align: center;">Package Outline</th> </tr> </thead> <tbody> <tr> <td style="text-align: center;">6L PQFV</td> <td style="text-align: center;">POD-PQFV-006-C05032-039</td> </tr> <tr> <td colspan="2" style="text-align: center;">5.000x3.200x0.850 mm</td> </tr> <tr> <td colspan="2" style="text-align: center;">2019/03/13 Rev 800 </td> </tr> </tbody> </table>		SYMBOL	MIN	NOM	MAX	TOTAL THICKNESS	A	0.800	0.850	0.900	STAND OFF	A1	0.000	0.035	0.050	BODY SIZE	X	5.000 BSC			Y	3.200 BSC			EP SIZE	X	3.100	3.200	3.300	EP SIZE	Y	0.500	0.600	0.700	LEAD WIDTH	b	0.590	0.640	0.690	LEAD LENGTH	L	0.850	0.900	0.950	LEAD LENGTH	L1	1.000 REF			LEAD PITCH	e	1.270 BSC			PACKAGE TOLERANCE	aaa	0.100			MOLD FLATNESS	bbb	0.100			COPLANARITY	ccc	0.080			DIMPLE WIDTH	T	0.300 REF			DIMPLE LENGTH	P	0.150 REF			DIMPLE DEPTH	A2	0.100 REF			Package Outline		6L PQFV	POD-PQFV-006-C05032-039	5.000x3.200x0.850 mm		2019/03/13 Rev 800		<p>5.0 x 3.2 x 0.85 mm^[15]</p>
	SYMBOL	MIN	NOM	MAX																																																																																									
TOTAL THICKNESS	A	0.800	0.850	0.900																																																																																									
STAND OFF	A1	0.000	0.035	0.050																																																																																									
BODY SIZE	X	5.000 BSC																																																																																											
	Y	3.200 BSC																																																																																											
EP SIZE	X	3.100	3.200	3.300																																																																																									
EP SIZE	Y	0.500	0.600	0.700																																																																																									
LEAD WIDTH	b	0.590	0.640	0.690																																																																																									
LEAD LENGTH	L	0.850	0.900	0.950																																																																																									
LEAD LENGTH	L1	1.000 REF																																																																																											
LEAD PITCH	e	1.270 BSC																																																																																											
PACKAGE TOLERANCE	aaa	0.100																																																																																											
MOLD FLATNESS	bbb	0.100																																																																																											
COPLANARITY	ccc	0.080																																																																																											
DIMPLE WIDTH	T	0.300 REF																																																																																											
DIMPLE LENGTH	P	0.150 REF																																																																																											
DIMPLE DEPTH	A2	0.100 REF																																																																																											
Package Outline																																																																																													
6L PQFV	POD-PQFV-006-C05032-039																																																																																												
5.000x3.200x0.850 mm																																																																																													
2019/03/13 Rev 800																																																																																													

Notes:

13. Top Marking: Y denotes manufacturing origin and XXXX denotes manufacturing lot number. The value of “Y” will depend on the assembly location of the device.
14. A capacitor of value 0.1 μF or higher between VDD and GND is required. An additional 10 μF capacitor between VDD and GND is required for the best phase jitter performance.
15. The center pad is internally connected to the GND pin. Soldering down the center pad to the GND is recommended for best thermal dissipation, but is optional.

Dimensions and Patterns — 7.0 x 5.0 mm

Package Size – Dimensions (Unit: mm) ^[16]	Recommended Land Pattern (Unit: mm) ^[17]																																																																																										
<p>7.0 x 5.0 x 0.85 mm^[18]</p> <table border="1" style="width: 100%; border-collapse: collapse; margin-top: 10px;"> <thead> <tr> <th></th> <th>SYMBOL</th> <th>MIN</th> <th>NOM</th> <th>MAX</th> </tr> </thead> <tbody> <tr> <td>TOTAL THICKNESS</td> <td>A</td> <td>0.800</td> <td>0.850</td> <td>0.900</td> </tr> <tr> <td>STAND OFF</td> <td>A1</td> <td>0.000</td> <td>0.035</td> <td>0.050</td> </tr> <tr> <td rowspan="2">BODY SIZE</td> <td>X</td> <td colspan="3">7.000 BSC</td> </tr> <tr> <td>Y</td> <td colspan="3">5.000 BSC</td> </tr> <tr> <td rowspan="2">EP SIZE</td> <td>X</td> <td>3.400</td> <td>3.500</td> <td>3.600</td> </tr> <tr> <td>Y</td> <td>1.400</td> <td>1.500</td> <td>1.600</td> </tr> <tr> <td>LEAD WIDTH</td> <td>b</td> <td>1.350</td> <td>1.400</td> <td>1.450</td> </tr> <tr> <td rowspan="2">LEAD LENGTH</td> <td>L</td> <td>0.850</td> <td>0.900</td> <td>0.950</td> </tr> <tr> <td>L1</td> <td colspan="3">1.000 REF</td> </tr> <tr> <td>LEAD PITCH</td> <td>e</td> <td colspan="3">2.540 BSC</td> </tr> <tr> <td>PACKAGE TOLERANCE</td> <td>aaa</td> <td colspan="3">0.100</td> </tr> <tr> <td>MOLD FLATNESS</td> <td>bbb</td> <td colspan="3">0.100</td> </tr> <tr> <td>COPLANARITY</td> <td>ccc</td> <td colspan="3">0.080</td> </tr> <tr> <td>DIMPLE WIDTH</td> <td>T</td> <td colspan="3">0.300 REF</td> </tr> <tr> <td>DIMPLE LENGTH</td> <td>P</td> <td colspan="3">0.150 REF</td> </tr> <tr> <td>DIMPLE DEPTH</td> <td>A2</td> <td colspan="3">0.100 REF</td> </tr> </tbody> </table> <p>Notes: 1. Dimensioning and tolerancing conform to ASME Y14.5-2009 2. All dimensions are in millimeters</p> <table border="1" style="width: 100%; border-collapse: collapse; margin-top: 10px;"> <thead> <tr> <th colspan="2" style="text-align: center;">Package Outline</th> </tr> </thead> <tbody> <tr> <td style="text-align: center;">6L PQFV</td> <td style="text-align: center;">POD-PGFV-006-C07050-037</td> </tr> <tr> <td colspan="2" style="text-align: center;">7.000x5.000x0.850 mm</td> </tr> <tr> <td colspan="2" style="text-align: center;">2019/03/13 Rev 800 </td> </tr> </tbody> </table>		SYMBOL	MIN	NOM	MAX	TOTAL THICKNESS	A	0.800	0.850	0.900	STAND OFF	A1	0.000	0.035	0.050	BODY SIZE	X	7.000 BSC			Y	5.000 BSC			EP SIZE	X	3.400	3.500	3.600	Y	1.400	1.500	1.600	LEAD WIDTH	b	1.350	1.400	1.450	LEAD LENGTH	L	0.850	0.900	0.950	L1	1.000 REF			LEAD PITCH	e	2.540 BSC			PACKAGE TOLERANCE	aaa	0.100			MOLD FLATNESS	bbb	0.100			COPLANARITY	ccc	0.080			DIMPLE WIDTH	T	0.300 REF			DIMPLE LENGTH	P	0.150 REF			DIMPLE DEPTH	A2	0.100 REF			Package Outline		6L PQFV	POD-PGFV-006-C07050-037	7.000x5.000x0.850 mm		2019/03/13 Rev 800		<p>7.0 x 5.0 x 0.85 mm^[18]</p> <p>Note: Circles in center pad are thermal vias, recommended to improve thermal performance</p>
	SYMBOL	MIN	NOM	MAX																																																																																							
TOTAL THICKNESS	A	0.800	0.850	0.900																																																																																							
STAND OFF	A1	0.000	0.035	0.050																																																																																							
BODY SIZE	X	7.000 BSC																																																																																									
	Y	5.000 BSC																																																																																									
EP SIZE	X	3.400	3.500	3.600																																																																																							
	Y	1.400	1.500	1.600																																																																																							
LEAD WIDTH	b	1.350	1.400	1.450																																																																																							
LEAD LENGTH	L	0.850	0.900	0.950																																																																																							
	L1	1.000 REF																																																																																									
LEAD PITCH	e	2.540 BSC																																																																																									
PACKAGE TOLERANCE	aaa	0.100																																																																																									
MOLD FLATNESS	bbb	0.100																																																																																									
COPLANARITY	ccc	0.080																																																																																									
DIMPLE WIDTH	T	0.300 REF																																																																																									
DIMPLE LENGTH	P	0.150 REF																																																																																									
DIMPLE DEPTH	A2	0.100 REF																																																																																									
Package Outline																																																																																											
6L PQFV	POD-PGFV-006-C07050-037																																																																																										
7.000x5.000x0.850 mm																																																																																											
2019/03/13 Rev 800																																																																																											

Notes:

16. Top Marking: Y denotes manufacturing origin and XXXX denotes manufacturing lot number. The value of “Y” will depend on the assembly location of the device.
17. A capacitor of value 0.1 μ F or higher between VDD and GND is required. An additional 10 μ F capacitor between VDD and GND is required for the best phase jitter performance.
18. The center pad is internally connected to the GND pin. Soldering down the center pad to the GND is recommended for best thermal dissipation, but is optional.

Table 11. APR Table

Absolute pull range (APR) = Nominal pull range (PR) - frequency stability (F_stab) - aging¹⁹

Nominal Pull Range	Frequency Stability			
	± 15	± 25	± 35	± 50
	APR (ppm)			
± 25	± 5	—	—	—
± 50	± 30	± 20	± 10	—
± 80	± 60	± 50	± 40	± 25
± 100	± 80	± 70	± 60	± 45
± 150	—	± 120	± 110	± 95
± 200	—	± 170	± 160	± 145
± 400	—	± 370	± 360	± 345
± 800	—	± 770	± 760	± 745
± 1600	—	± 1570	± 1560	± 1545
± 3200	—	± 3170	± 3160	± 3145

Note:

19. Aging includes solder down shift and 20-year aging.

Additional Information

Table 12. Additional Information

Document	Description	Download Link
ECCN #: EAR99	Five character designation used on the commerce Control List (CCL) to identify dual use items for export control purposes.	—
HTS Classification Code: 8542.39.0000	A Harmonized Tariff Schedule (HTS) code developed by the World Customs Organization to classify/define internationally traded goods.	—
Part number Generator	Tool used to create the part number based on desired features.	https://www.sitime.com/part-number-generator
Time Machine II	MEMS oscillator programmer	http://www.sitime.com/support/time-machine-oscillator-programmer
Manufacturing Notes	Tape & Reel dimension, reflow profile and other manufacturing related info	https://www.sitime.com/sites/default/files/gated/Manufacturing-Notes-for-SiTime-Products.pdf
Qualification Reports	RoHS report, reliability reports, composition reports	http://www.sitime.com/support/quality-and-reliability
Performance Reports	Additional performance data such as phase noise, current consumption, and jitter for selected frequencies	http://www.sitime.com/support/performance-measurement-report
Termination Techniques	AN10029 Termination design recommendations	http://www.sitime.com/support/application-notes
Layout Techniques	AN10006 Layout recommendations	http://www.sitime.com/support/application-notes
Evaluation Boards	SiT6085EB, SiT6086EB and SiT6097EB for Differential Oscillators	https://www.sitime.com/support/user-guides

Revision History

Table 13. Revision History

Revision	Release Date	Change Summary
0.5	30-Jul-2019	Initial draft release
1.00	24-Jul-2020	Formatting updates Corrected typos Updated package Dimensions Drawings Updated Table 8 Thermal Considerations for 5032 package Added Evaluation Boards SiT6085EB reference in Additional Information Rearranged layout, added Description, Block Diagram and TOC Added HTS classification code Clarified ± 15 ppm pull range up to ± 100 ppm Modified maximum junction temperatures Removed I_driver HCSL specification as not applicable
1.01	17-Mar-2021	Updated L1 and Dimple Width package dimensions for 3.2 x 2.5 mm package Updated trademarks, hyperlinks and changed rev table date format

SiTime Corporation, 5451 Patrick Henry Drive, Santa Clara, CA 95054, USA | Phone: +1-408-328-4400 | Fax: +1-408-328-4439

© SiTime Corporation 2019-2021. The information contained herein is subject to change at any time without notice. SiTime assumes no responsibility or liability for any loss, damage or defect of a Product which is caused in whole or in part by (i) use of any circuitry other than circuitry embodied in a SiTime product, (ii) misuse or abuse including static discharge, neglect or accident, (iii) unauthorized modification or repairs which have been soldered or altered during assembly and are not capable of being tested by SiTime under its normal test conditions, or (iv) improper installation, storage, handling, warehousing or transportation, or (v) being subjected to unusual physical, thermal, or electrical stress.

Disclaimer: SiTime makes no warranty of any kind, express or implied, with regard to this material, and specifically disclaims any and all express or implied warranties, either in fact or by operation of law, statutory or otherwise, including the implied warranties of merchantability and fitness for use or a particular purpose, and any implied warranty arising from course of dealing or usage of trade, as well as any common-law duties relating to accuracy or lack of negligence, with respect to this material, any SiTime product and any product documentation. Products sold by SiTime are not suitable or intended to be used in a life support application or component, to operate nuclear facilities, or in other mission critical applications where human life may be involved or at stake. All sales are made conditioned upon compliance with the critical uses policy set forth below.

CRITICAL USE EXCLUSION POLICY

BUYER AGREES NOT TO USE SITIME'S PRODUCTS FOR ANY APPLICATION OR IN ANY COMPONENTS USED IN LIFE SUPPORT DEVICES OR TO OPERATE NUCLEAR FACILITIES OR FOR USE IN OTHER MISSION-CRITICAL APPLICATIONS OR COMPONENTS WHERE HUMAN LIFE OR PROPERTY MAY BE AT STAKE.

SiTime owns all rights, title and interest to the intellectual property related to SiTime's products, including any software, firmware, copyright, patent, or trademark. The sale of SiTime products does not convey or imply any license under patent or other rights. SiTime retains the copyright and trademark rights in all documents, catalogs and plans supplied pursuant to or ancillary to the sale of products or services by SiTime. Unless otherwise agreed to in writing by SiTime, any reproduction, modification, translation, compilation, or representation of this material shall be strictly prohibited.