



9615 SW Allen, Suite 103
 Beaverton, OR 97006
 Phone: (503) 643-4899
 800-275-4899
 Fax: (503) 643-6129
 Website: www.cuistack.com

TITLE:

6.4mm AUDIO JACK-MONO

PART NO.

MJ-6323G

UNITS:

MM [INCHES]

DRAWN BY:

APPROVED BY:

SCALE:
2X

SPECIFICATIONS:

RATING: 12V DC @ 1A

WITHSTAND VOLTAGE:

500V AC FOR 1 MINUTE

INSERTION FORCE:

BEFORE TEST OR INITIAL: 0.5KG TO 3KG

AFTER LIFE TEST: 0.3KG TO 3KG

EXTRACTION FORCE:

BEFORE TEST OR INITIAL: 0.5KG TO 3KG

AFTER LIFE TEST: 0.3KG TO 3KG

INSULATION RESISTANCE:

100 MEGA-OHMS MIN. @ 500V DC

CONTACT RESISTANCE: 100mA AND @ FREQ. OF 1KHZ

BEFORE TEST OR INITIAL: 30 MILLI-OHMS MAX

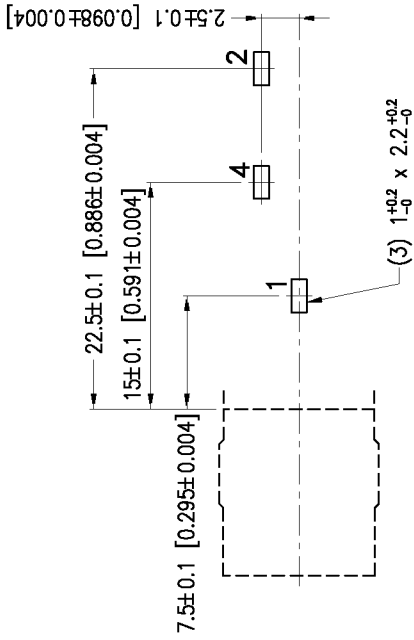
AFTER LIFE TEST: 60 MILLI-OHMS MAX AT BELOW

100mA AND @ FREQ. OF 1KHZ

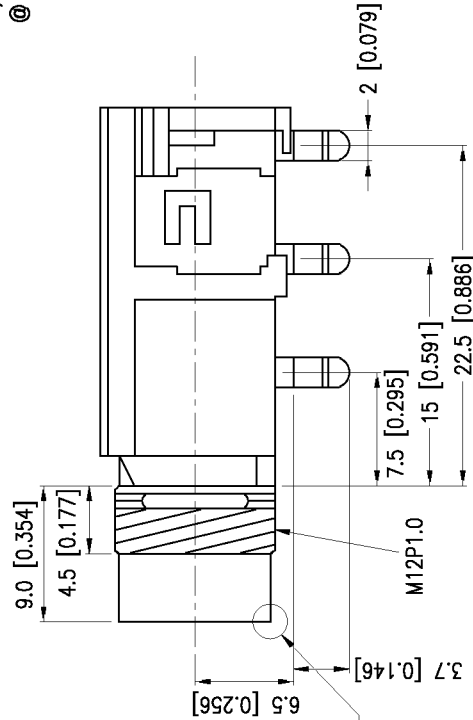
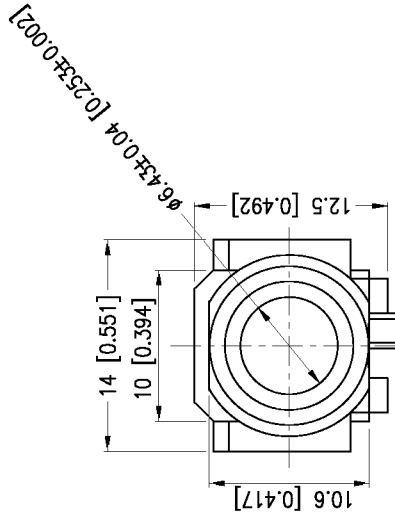
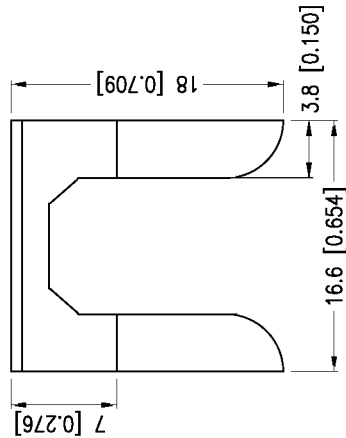
LIFE TEST:

5,000 CYCLES OF INSERTION AND EXTRACTION

@ 20 TO 30 CYCLES PER MINUTE UNDER NO LOAD

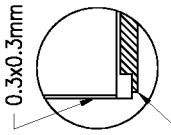


HOLE LAYOUT
(BOTTOM VIEW)



DETAIL "A"

0.3x0.3mm CHAMFER



DETAIL "A"

