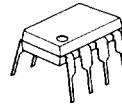


3-INPUT 1-OUTPUT VIDEO SWITCH

■ GENERAL DESCRIPTION

The NJM2534 is a video switch for VCR, TV and others. It contains three bias-type inputs and one buffer-type output.

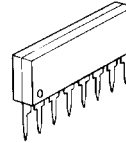
■ PACKAGE OUTLINE



NJM2534D



NJM2534M



NJM2534L

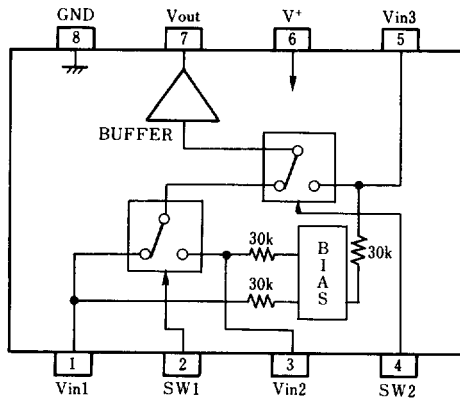


NJM2534V

■ FEATURES

- Operating Voltage (+4.75V ~ +13V)
- Low Supply Current (4.7mA MAX)
- Crosstalk (-70dB)
- 3-Input, 1-Output
- Bipolar Technology
- Package Outline DIP8, DMP8, SIP8, SSOP8

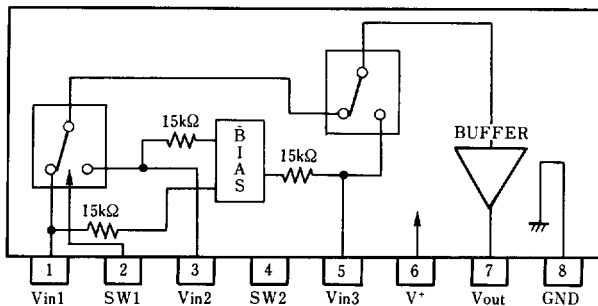
■ PIN CONFIGURATION



PIN FUNCTION

- 1 : Vin1
- 2 : SW1
- 3 : Vin2
- 4 : SW2
- 5 : Vin3
- 6 : V+
- 7 : V_{OUT}
- 8 : GND

NJM2534D
NJM2534M
NJM2534V



PIN FUNCTION

- 1 : Vin1
- 2 : SW1
- 3 : Vin2
- 4 : SW2
- 5 : Vin3
- 6 : V+
- 7 : V_{OUT}
- 8 : GND

NJM2534L

5



■ ABSOLUTE MAXIMUM RATINGS

(Ta=25°C)

PARAMETER	SYMBOL	RATINGS	UNIT
Supply Voltage	V*	+15	V
Power Dissipation	P _D	(DIP-8) 500 (DMP-8) 300 (SIP-8) 800 (SSOP-8) 250	mW
Operating Temperature Range	T _{opr}	-20 ~ +75	°C
Storage Temperature Range	T _{stg}	-40 ~ +125	°C

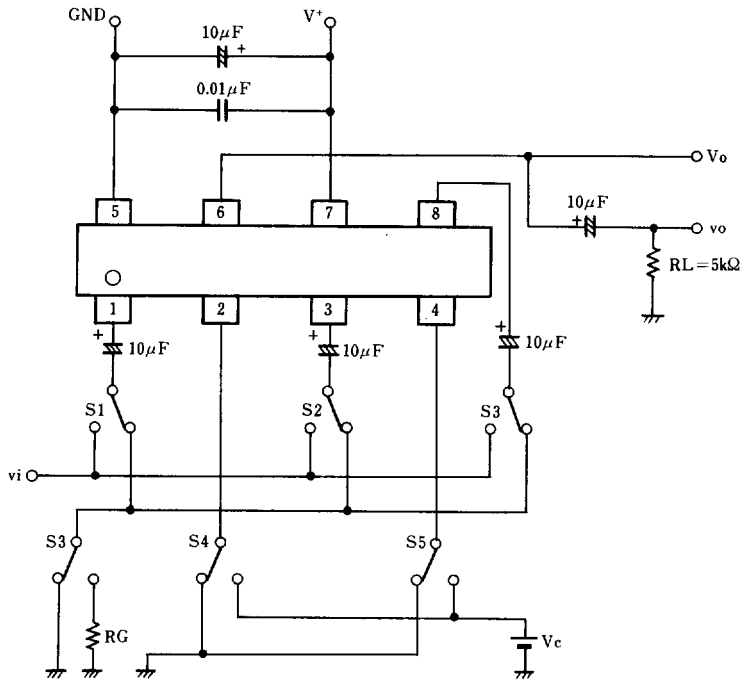
■ ELECTRICAL CHARACTERISTICS

(V*=5V, Ta=25°C)

PARAMETER	SYMBOL	TEST CONDITIONS	MIN.	TYP.	MAX.	UNIT
Operating Voltage	V*		+4.5	—	+13.0	V
Operating Current	I _{CC}		—	3.7	4.7	mA
Frequency Characteristics	G _f	V _{IN} =2V _{pp} , V _O =10MHz/100kHz	-1.0	0	+1.0	dB
Voltage Gain	G _V	V _{IN} =2V _{pp} , 100kHz	-0.5	0	+0.5	dB
Total Harmonic Distortion	THD	V _{IN} =2.5V _{pp} , 1kHz	—	0.05	0.1	%
Differential Gain	DG	V _{IN} =2V _{pp} , Standard staircase signal, APL=50%	—	0	3.0	%
Differential Phase	DP	V _{IN} =2V _{pp} , Standard staircase signal, APL=50%	—	0	3.0	deg
Output Offset Voltage	V _{off}		-30	0	+30	mV
Crosstalk	CT	V _{IN} =2V _{pp} , 4.3MHz	—	-70	-60	dB
Switching Voltage	V _{CH}		2.4	—	—	V
	V _{CL}		—	—	0.8	V
Input Impedance	R _I		—	30	—	kΩ
Output Impedance	R _O		—	25	—	Ω
Input Bias Voltage	V _{IN}		—	2.5	—	V



■ TEST CIRCUIT



5