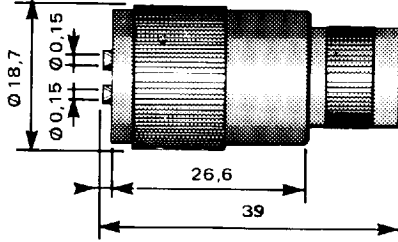


UHF 2 series

P : Polyethylene
V : Voltalef

CODE No.	TYPE	INSULATOR	WEIGHT (g)
----------	------	-----------	------------

STRAIGHT PLUG



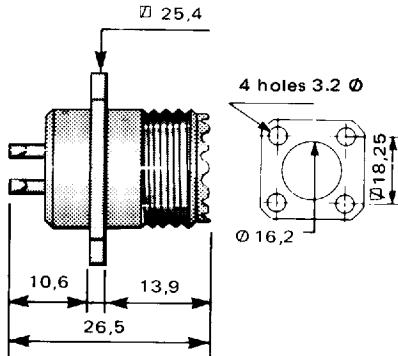
R 156 003

Cable : RG. 22 B/U

V 35

Non standard (see note page 13)

RECEPTACLE



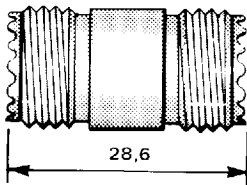
R 156 403

Square flange - solder pot

P 24

Non standard (see note page 13)

ADAPTORS

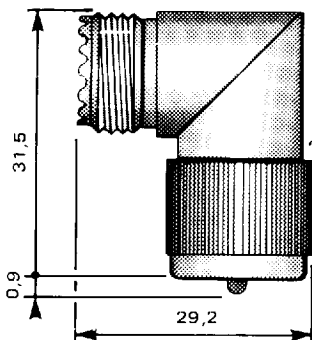


R 156 705

Straight female - female

P 30

Non standard (see note page 13)



R 156 770

Elbow male - female

P 40

Non standard (see note page 13)