

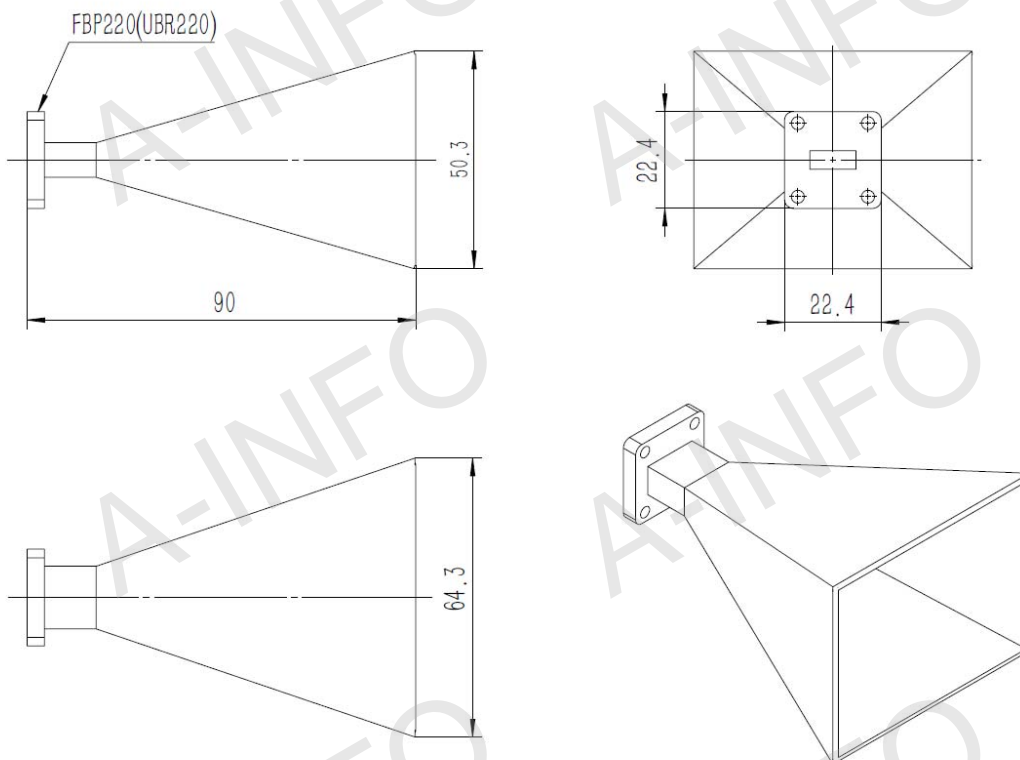
Technical Specification



Frequency Range(GHz)	18.0 - 26.5
Waveguide	WR42
Gain(dBi)	20 Typ.
Polarization	Linear
3dB Beamwidth(deg)	18 Typ.
VSWR	1.25:1 Typ.
Output	A Type: FBP220(UBR220) C Type: SMA-F/2.92mm-F/3.5mm-F
Material	Cu
Size(mm)	A Type: 64.3 x 50.3 x 90 C Type: 64.3 x 50.3 x 125
Net Weight(Kg)	A Type: 0.15 Around C Type: 0.20 Around

Outline Drawing (Size: mm)

A Type(With FBP220 Output)



AINFO Inc.

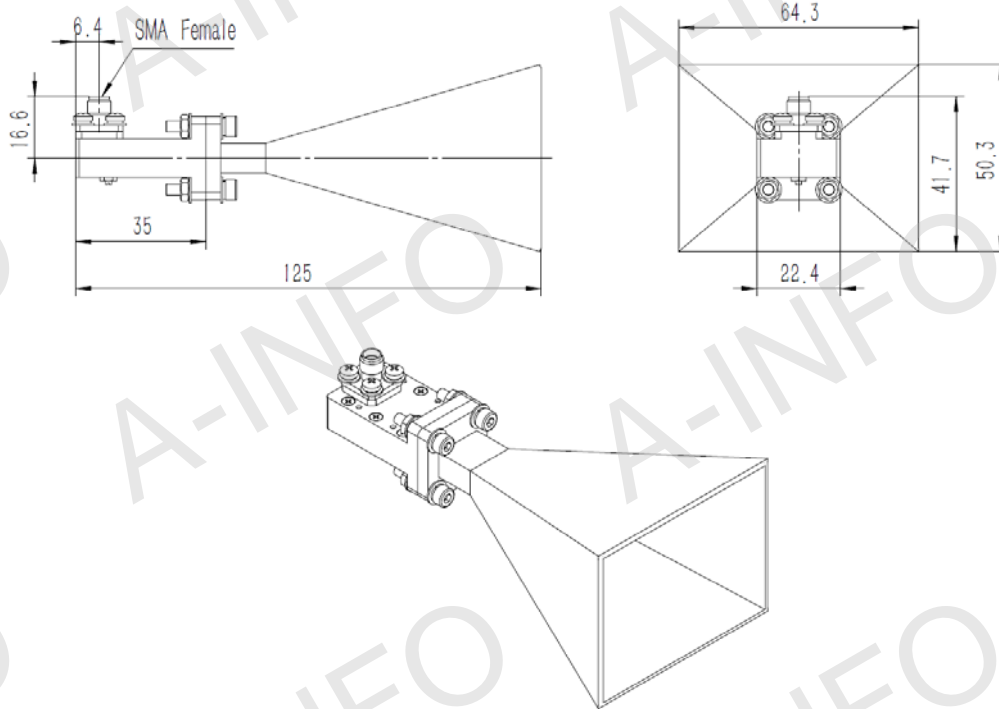
Page 1 of 12

China(Beijing): Tel: (+86) 10-6266-7326, (+86) 10-6266-7327 Fax: (+86) 10-6266-7379
 China(Chengdu): Tel: (+86) 28-8519-2786, (+86) 28-8519-3044 Fax: (+86) 28-8519-3068
 USA: Tel: (+1) 949-639-9688, (+1) 949-639-9608 Fax: (+1) 949-639-9670

Website: www.ainfoinc.com
 Email: sales@ainfoinc.com

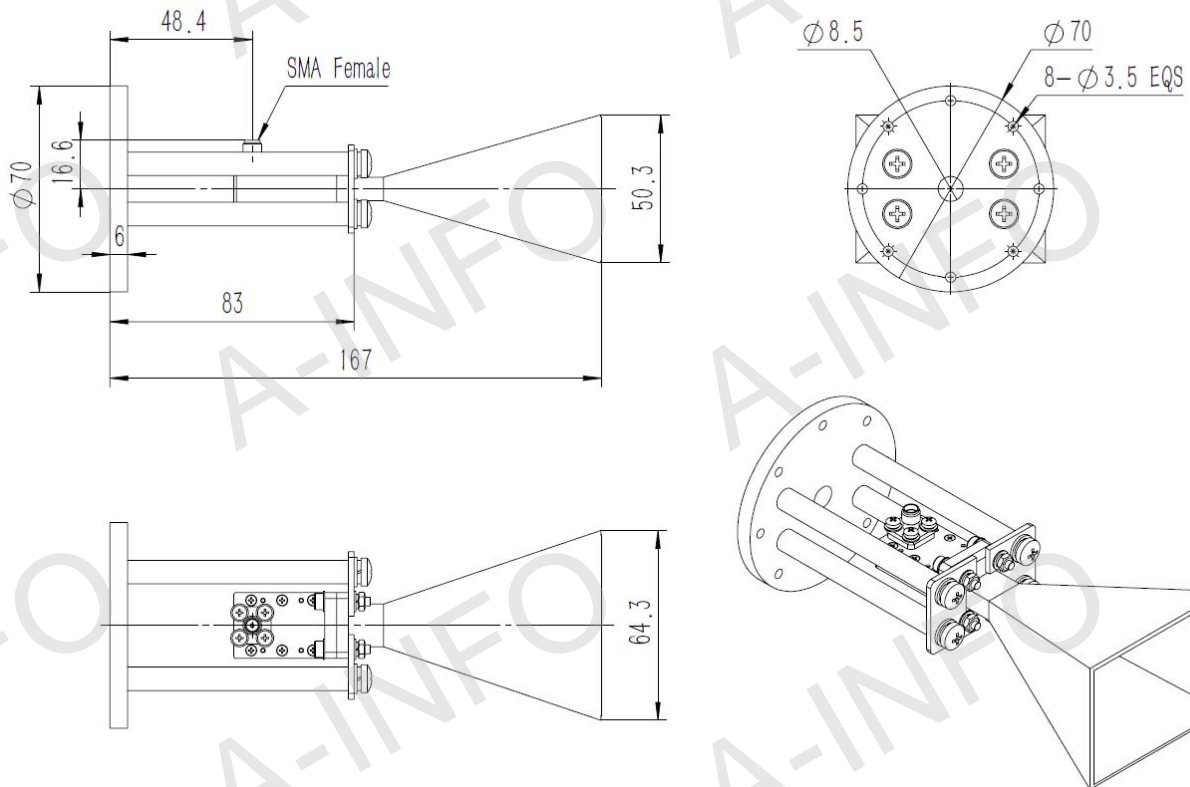
C Type (With SMA-Female Output)

For 2.92mm-Female or 3.5mm-Female output outline drawing, please contact A-INFO.



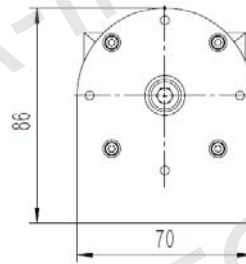
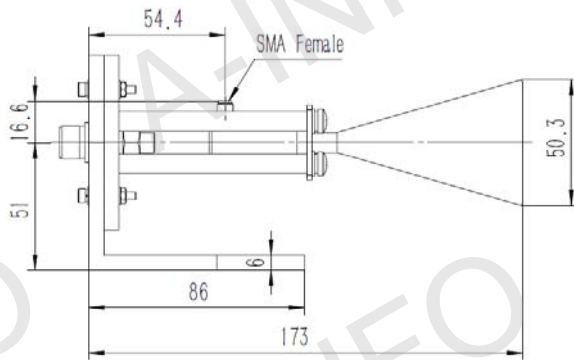
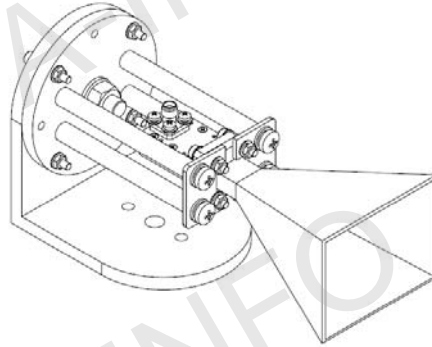
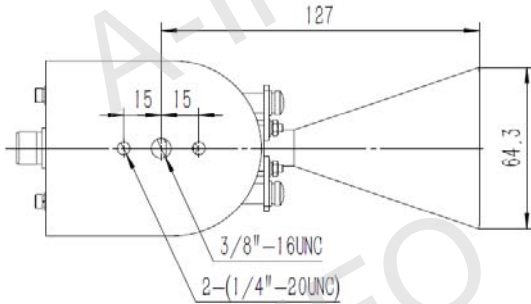
C Type (With SMA-Female Output & Round Mounting Bracket)

For 2.92mm-Female or 3.5mm-Female output outline drawing, please contact A-INFO.

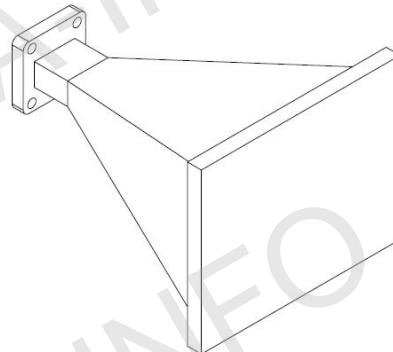
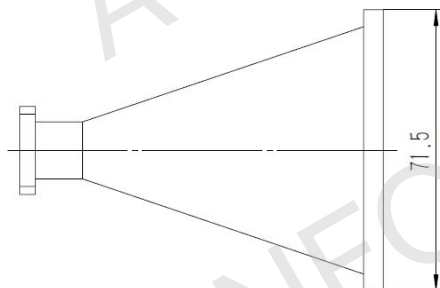
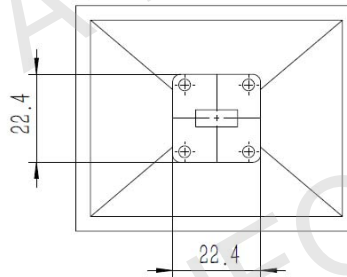
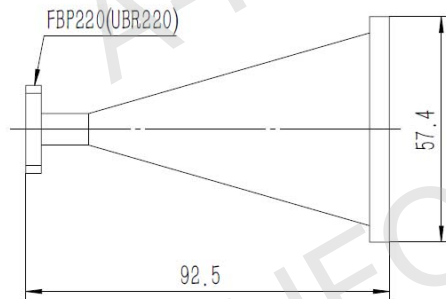


C Type (With SMA-Female Output & L Type Mounting Bracket)

For 2.92mm-Female or 3.5mm-Female output outline drawing, please contact A-INFO.

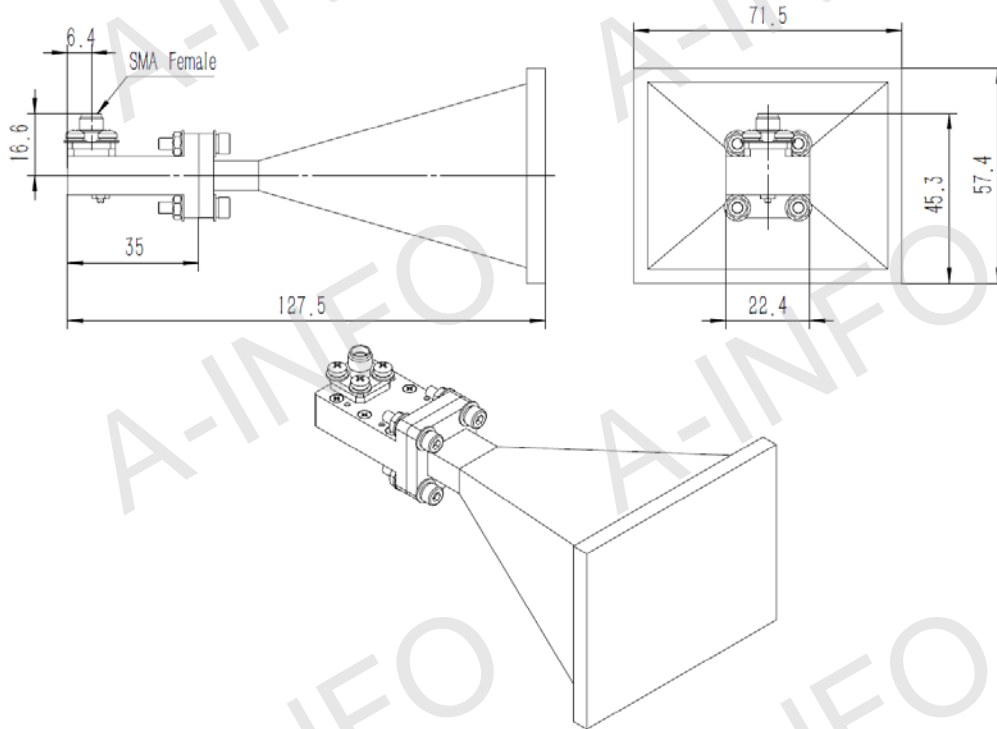


A Type (With Radome)



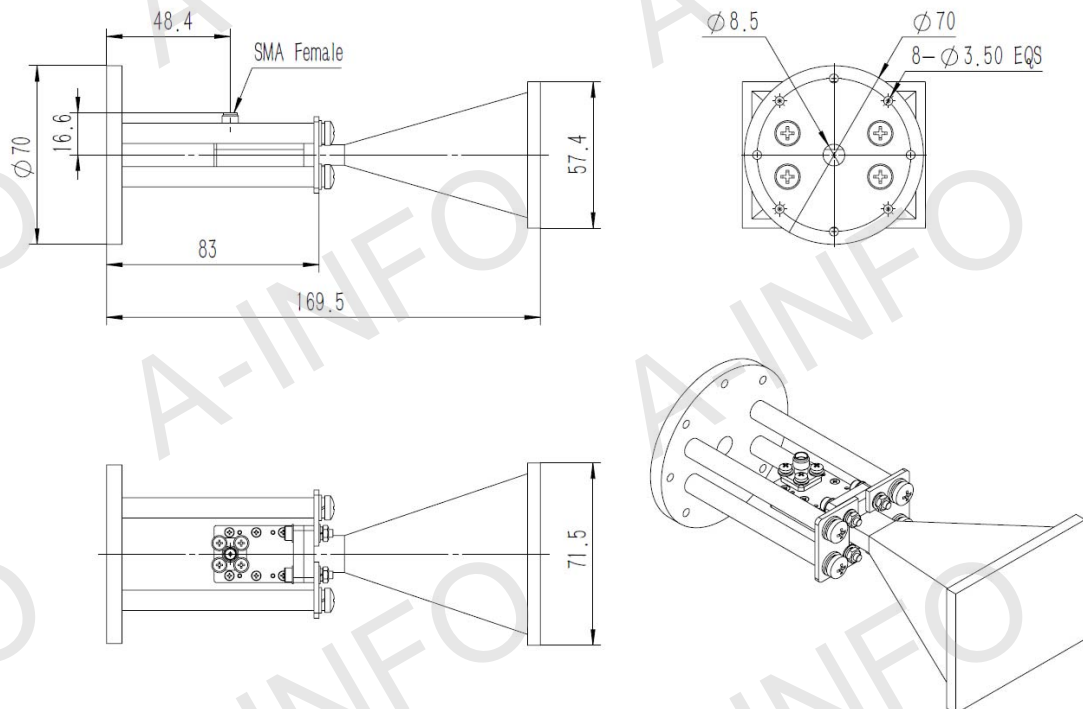
C Type (With SMA-Female Output & Radome)

For 2.92mm-Female or 3.5mm-Female output outline drawing, please contact A-INFO.



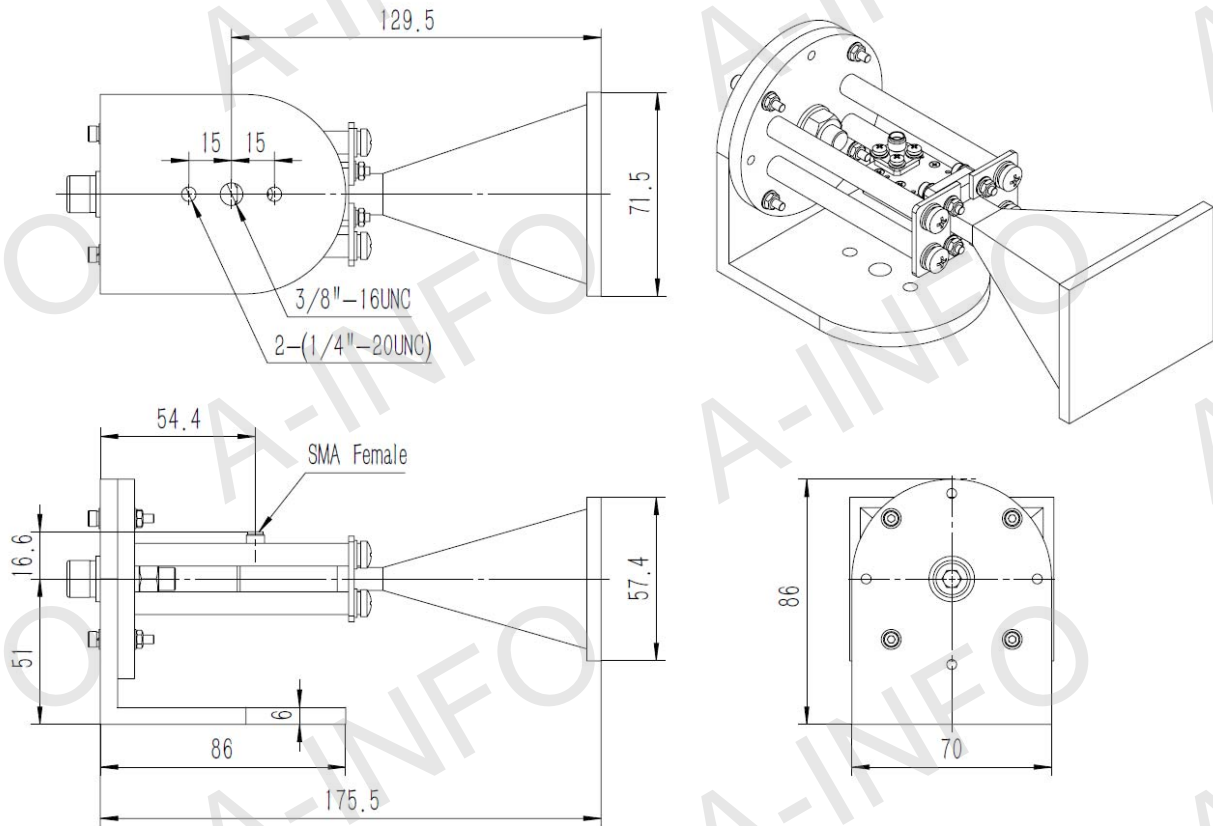
C Type (With SMA-Female Output & Round Mounting Bracket & Radome)

For 2.92mm-Female or 3.5mm-Female output outline drawing, please contact A-INFO.

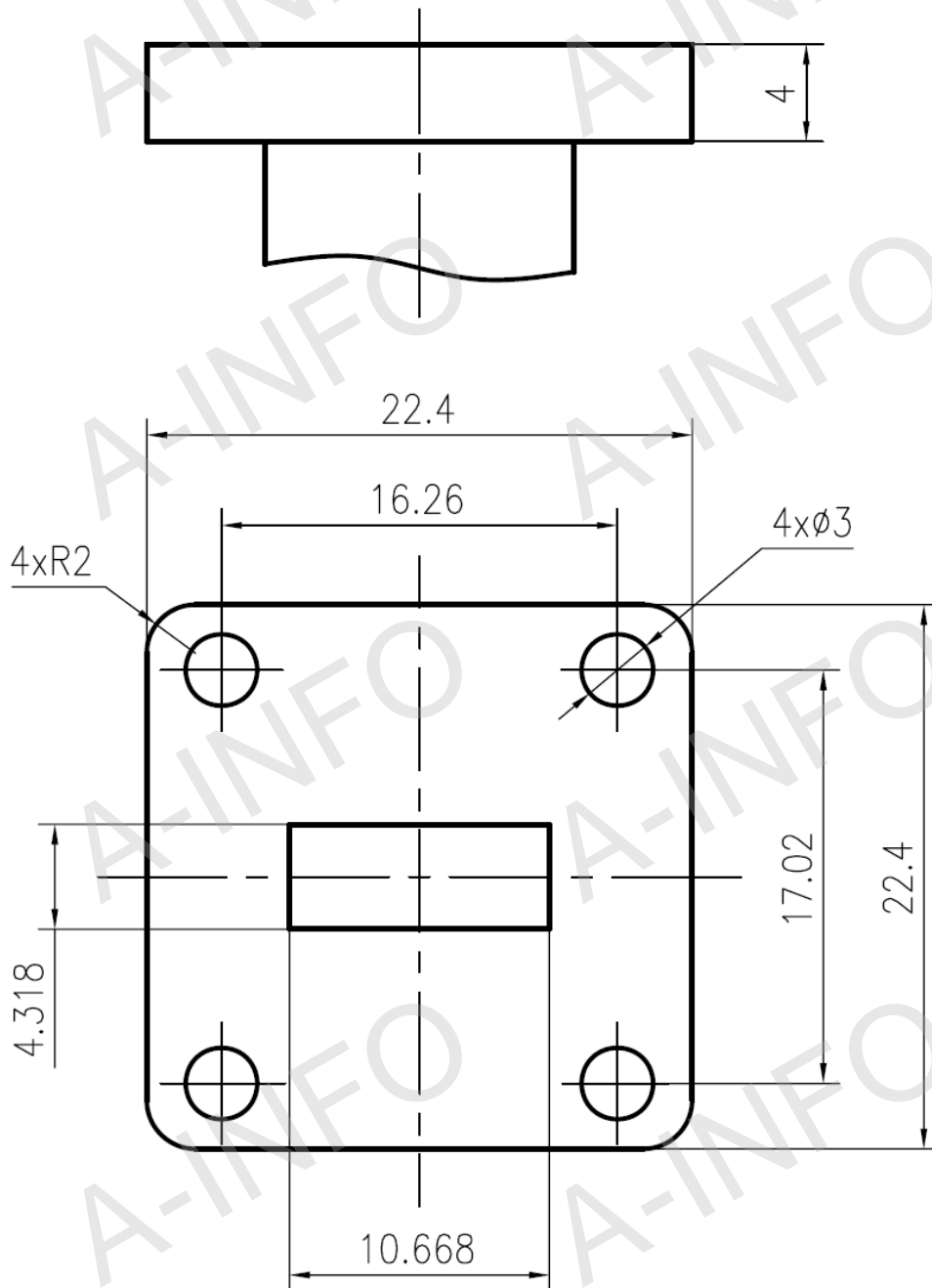


C Type (With SMA-Female Output & L Type Mounting Bracket & Radome)

For 2.92mm-Female or 3.5mm-Female output outline drawing, please contact A-INFO.



Flange Drawing (Size: mm)



FBP220

AINFO Inc.

Page 6 of 12

China(Beijing):
China(Chengdu):
USA :

Tel: (+86) 10-6266-7326,
Tel: (+86) 28-8519-2786,
Tel: (+1) 949-639-9688,

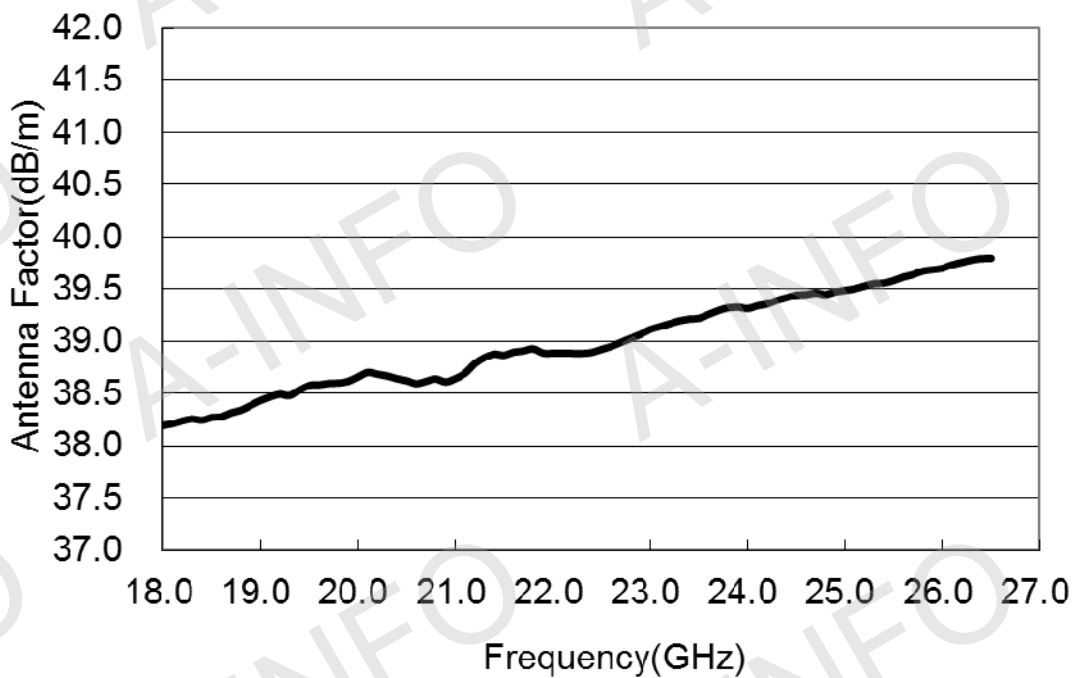
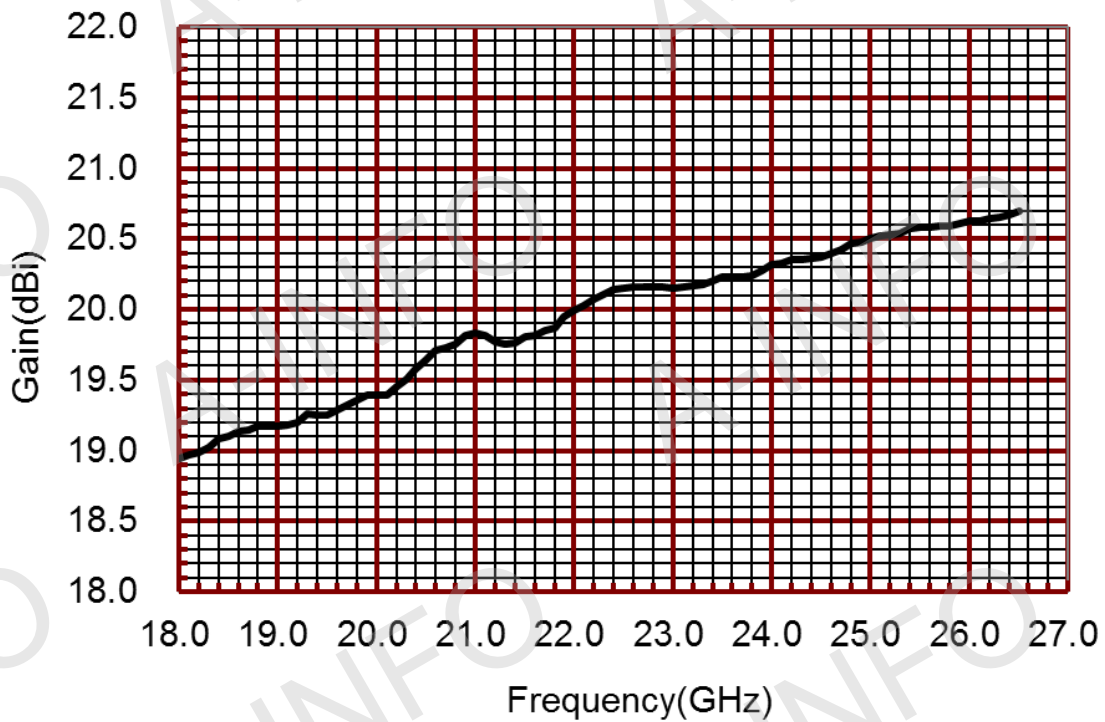
(+86) 10-6266-7327
(+86) 28-8519-3044
(+1) 949-639-9608

Fax: (+86) 10-6266-7379
Fax: (+86) 28-8519-3068
Fax: (+1) 949-639-9670

Website: www.ainfoinc.com
Email: sales@ainfoinc.com

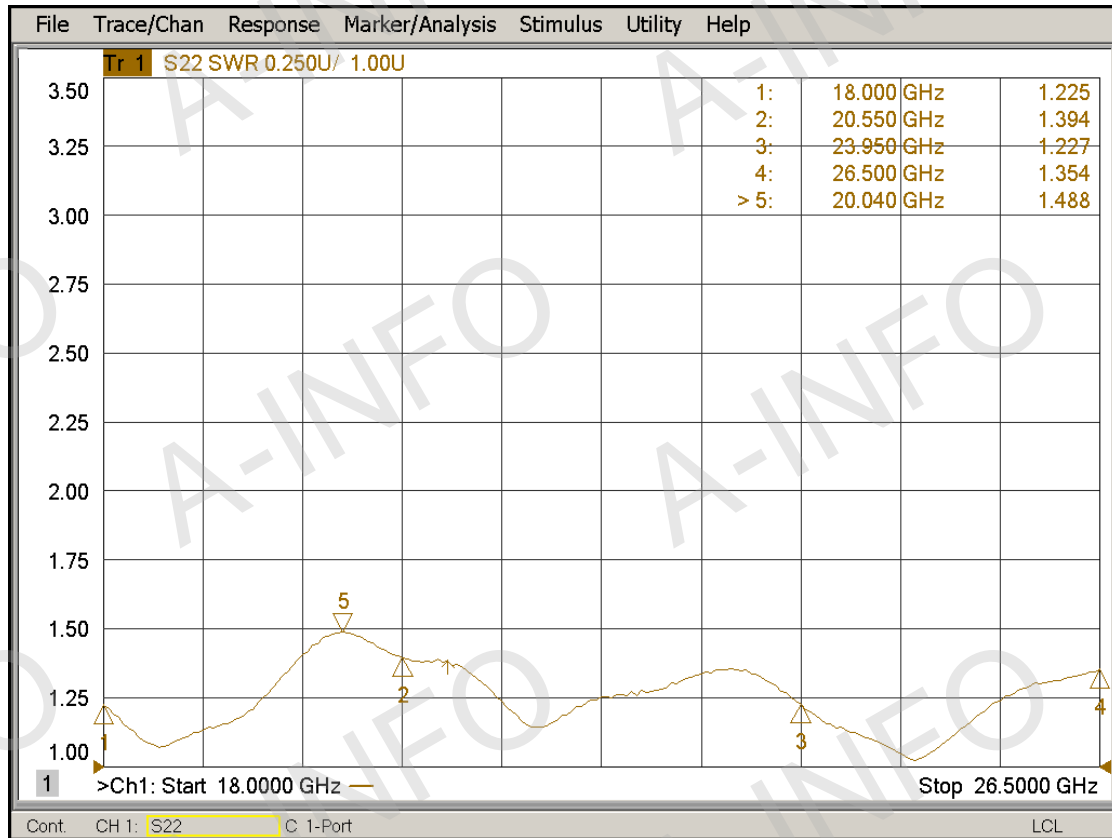
Test Results

1. Gain and Antenna Factor

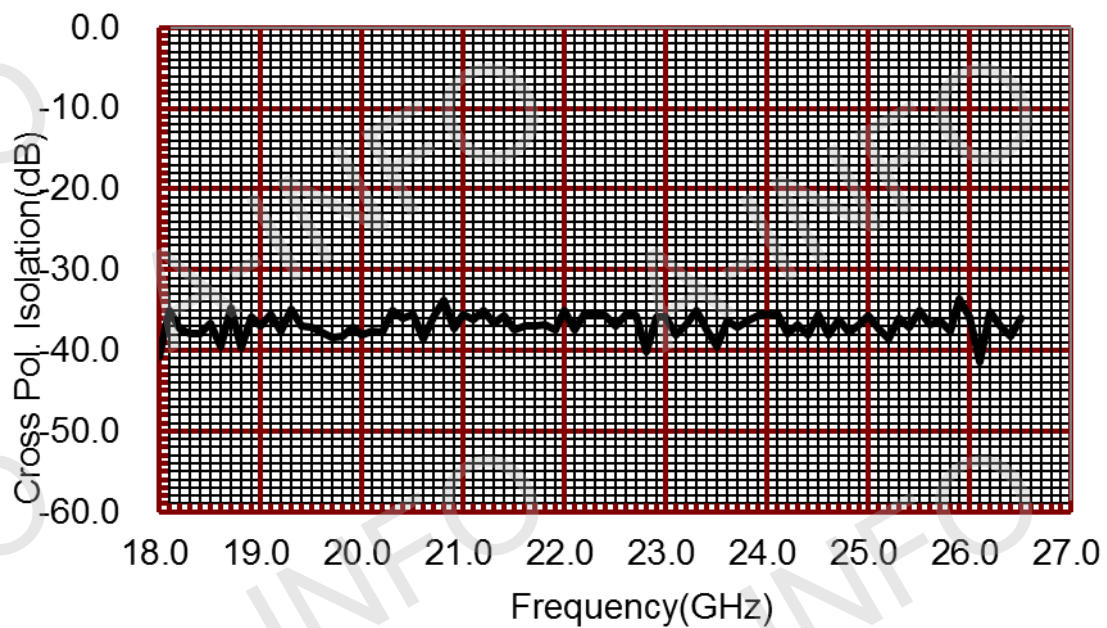


Frequency(GHz)	Gain(dB)	Antenna Factor(dB/m)
18	18.94	38.20
18.5	19.1	38.27
19	19.17	38.44
19.5	19.25	38.58
20	19.39	38.66
20.5	19.64	38.63
21	19.83	38.64
21.5	19.81	38.87
22	19.99	38.89
22.5	20.15	38.92
23	20.15	39.11
23.5	20.23	39.22
24	20.32	39.31
24.5	20.37	39.44
25	20.5	39.49
25.5	20.58	39.58
26	20.63	39.70
26.5	20.7	39.79

2. VSWR



3. Cross Polarization Isolation



4. Pattern

