

DO NOT SCALE FROM THIS PRINT

DESIGNED & DIMENSIONED IN MILLIMETERS [INCHES]

MCX-J-P-X-ST-SM1

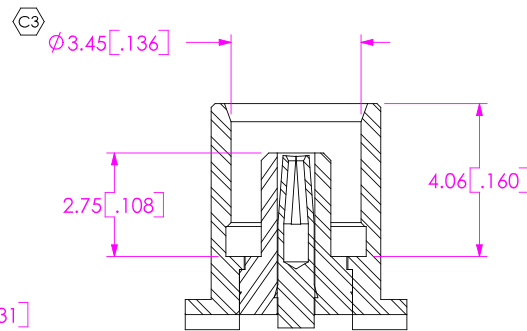
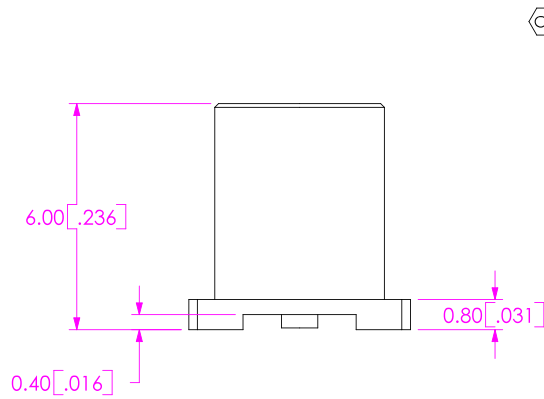
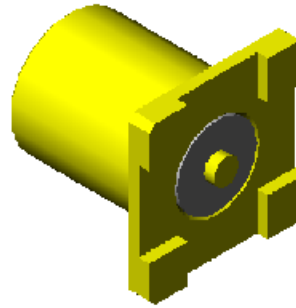
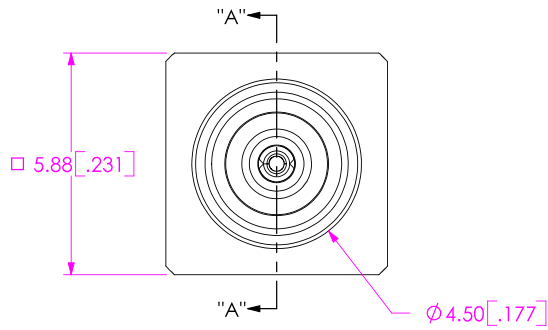
GENDER
-J: JACK

TERMINATION
-SM1: SURFACE MOUNT

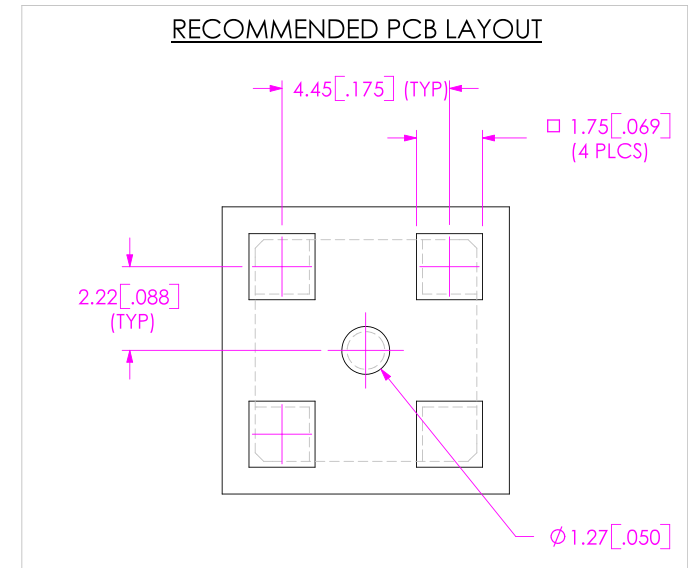
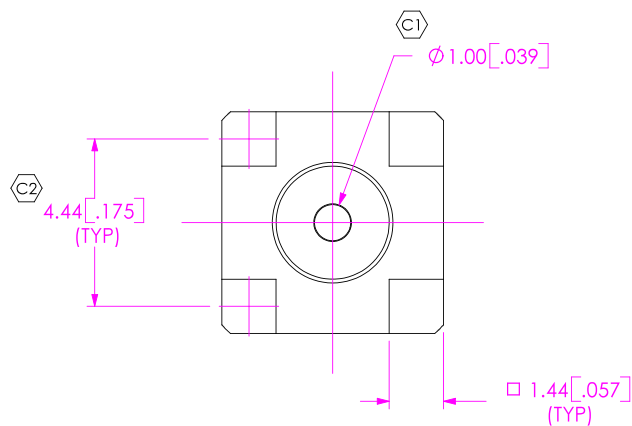
TYPE
-P: PCB

ORIENTATION
-ST: STRAIGHT

PLATING SPECIFICATION
-H: HEAVY GOLD



SECTION "A"-"A"



NOTE:

1. Ⓢ REPRESENTS A CRITICAL DIMENSION.
2. PARTS TO BE PACKAGED IN TRAYS; IF QUANTITY IS LESS THAN HALF OF THE TRAY, PARTS TO BE PACKAGED IN COHESIVE FOAM.

UNLESS OTHERWISE SPECIFIED, DIMENSIONS ARE IN METRIC. TOLERANCES ARE:
DECIMALS ANGLES
.XX: ± .10 [0.004] 5°
.XXX: ± .05 [0.002]

PROPRIETARY NOTE

THIS DOCUMENT CONTAINS INFORMATION CONFIDENTIAL AND PROPRIETARY TO SAMTEC, INC. AND SHALL NOT BE REPRODUCED OR TRANSFERRED TO OTHER DOCUMENTS OR DISCLOSED TO OTHERS OR USED FOR ANY PURPOSE OTHER THAN THAT WHICH IT WAS OBTAINED WITHOUT THE EXPRESSED WRITTEN CONSENT OF SAMTEC, INC.

MATERIAL: DO NOT SCALE DRAWING SHEET SCALE: 5:1
SHELL: BRASS C3604B
PLATING: .13[.000005] GOLD OVER 1.25[.000050] NICKEL
PIN: BeCu C17300
PLATING: .08[.000003] GOLD OVER 1.25[.000050] NICKEL
INSULATOR: TEFLON

SAMTEC

520 PARK EAST BLVD, NEW ALBANY, IN 47150
PHONE: 812.944.6733 FAX: 812.948.5047
e-Mail: INFO@SAMTEC.COM CODE: 55322

DESCRIPTION: MCX STRAIGHT SMT JACK- 50 OHM

DWG. NO. MCX-J-P-X-ST-SM1

BY: D PURVIS 10/08/2004 SHEET 1 OF 1