

Customer Information Sheet

DRAWING No.: S417-XX

SHEET 3 OF 4

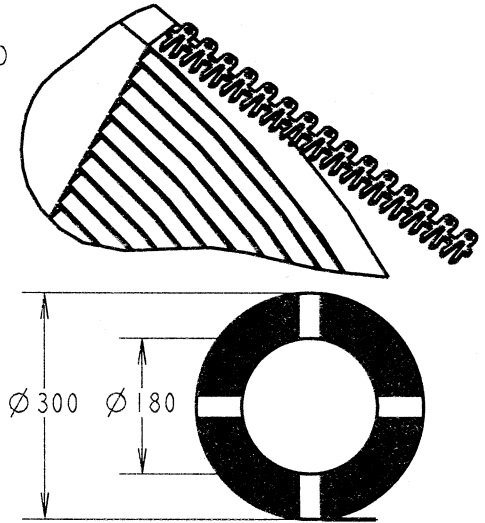
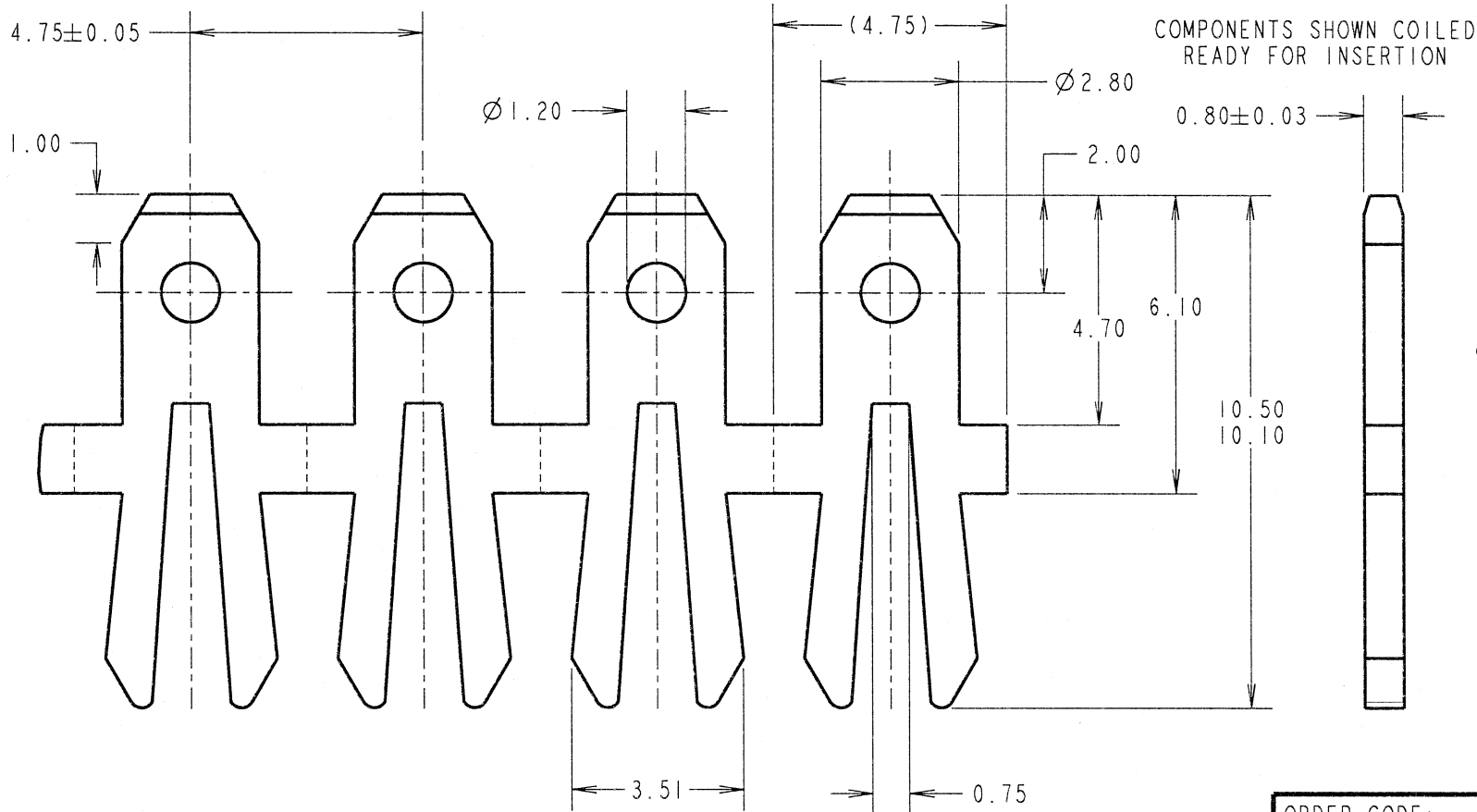
IF IN DOUBT - ASK

(C)

NOT TO SCALE

THIRD ANGLE PROJECTION

ALL DIMENSIONS IN mm



COIL DIMENSIONS

- NOTES:
1. QUANTITY PER TABS PER COIL = 12K.
TOTAL WEIGHT PER COIL = 2.1kg.
 2. RECOMMENDED MOUNTING HOLE SIZE = 2.80 x 1.00.

ORDER CODE:

S417-XX

FINISH:

- 00 = UNPLATED
- 06 = 4μ 90/10 TIN/LEAD
- 46 = 4μ 100% TIN

JMB	13	24.10.05	8800
NAME	ISS.	DATE	C/NOTE
APPROVED: <i>[Signature]</i>			
CHECKED: <i>[Signature]</i>			
DRAWN:		P. D. COLLINS	
CUSTOMER REF.:			
ASSEMBLY DRG:			

HARWIN

THIS DRAWING AND ANY INFORMATION OR DESCRIPTIVE MATTER SET OUT HEREON ARE CONFIDENTIAL AND COPYRIGHT PROPERTY OF THE HARWIN GROUP AND MUST NOT BE DISCLOSED, LOANED, COPIED OR USED FOR MANUFACTURING, TENDERING OR FOR ANY OTHER PURPOSE WITHOUT THEIR WRITTEN PERMISSION.

TOLERANCES

- X. = ±1mm
- X.X = ±0.25mm
- X.XX = ±0.10mm
- X.XXX = ±0.01mm

ANGLES = ±5°

UNLESS STATED

MATERIAL:

BRASS CW508L H150
TO BS EN 1652
(CuZn37 HARD)

FINISH: SEE ORDER CODE

S/AREA: mm²

TITLE:

2.8mm VERTICAL FISH-TAIL
COILED TAB TERMINAL

DRAWING NUMBER:

S417-XX

SHT
3
OF
4

HARWIN INC
U.S.A.

HARWIN PLC
U.K.

HARWIN PTE
SINGAPORE

TEL: (812) 542 2540
FAX: (812) 542 2541

TEL: 023 9231 4545
FAX: 023 9231 4590

TEL: 65 6779 4909
FAX: 65 6779 3868

Customer Information Sheet

DRAWING No.: S417-XX

SHEET 4 OF 4

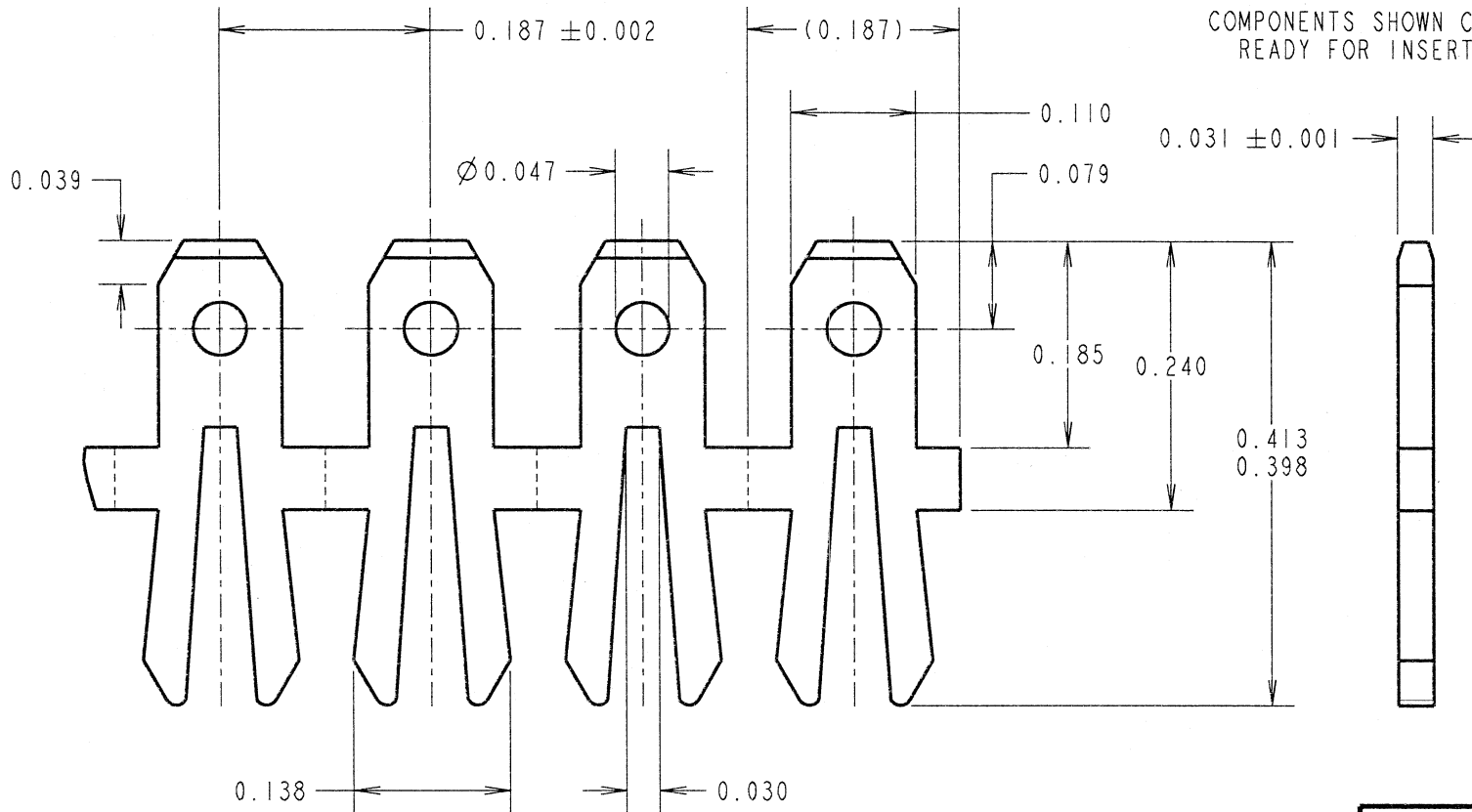
IF IN DOUBT - ASK

(C)

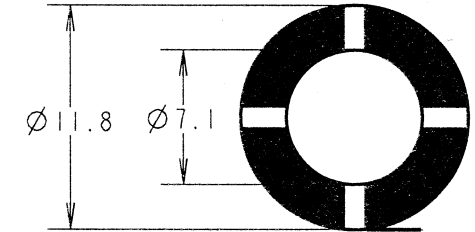
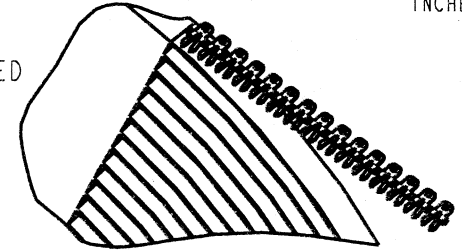
NOT TO SCALE

THIRD ANGLE PROJECTION

ALL DIMENSIONS IN ~~mm~~ INCHES



COMPONENTS SHOWN COILED
READY FOR INSERTION



COIL DIMENSIONS

NOTES:

1. QUANTITY PER TABS PER COIL = 12K.
TOTAL WEIGHT PER COIL = 2.1kg.
2. RECOMMENDED MOUNTING HOLE SIZE = 0.110" x 0.039".
3. ALL TOLERANCES ARE ±0.004" UNLESS OTHERWISE STATED.

ORDER CODE:

S417-XX

FINISH:

- 00 = UNPLATED
- 06 = 90/10 TIN/LEAD
- 46 = 100% TIN

JMB	13	24.10.05	8800
NAME	ISS.	DATE	C/NOTE
APPROVED:	<i>[Signature]</i>		
CHECKED:	<i>[Signature]</i>		
DRAWN:	P. D. COLLINS		
CUSTOMER REF.:			
ASSEMBLY DRG:			

HARWIN

THIS DRAWING AND ANY INFORMATION OR DESCRIPTIVE MATTER SET OUT HEREON ARE CONFIDENTIAL AND COPYRIGHT PROPERTY OF THE HARWIN GROUP AND MUST NOT BE DISCLOSED, LOANED, COPIED OR USED FOR MANUFACTURING, TENDERING OR FOR ANY OTHER PURPOSE WITHOUT THEIR WRITTEN PERMISSION.

TOLERANCES

~~X = ±1mm~~
~~X.X = ±0.25mm~~
~~X.XX = ±0.10mm~~
~~X.XXX = ±0.01mm~~
 ANGLES = ±5°
 UNLESS STATED

MATERIAL:

BRASS CW508L H150
TO BS EN 1652
(CuZn37 HARD)

FINISH: SEE ORDER CODE

S/AREA: mm²

TITLE:

0.110" VERTICAL FISH-TAIL
COILED TAB TERMINAL

DRAWING NUMBER:

S417-XX

HARWIN INC
U.S.A.
TEL: (812) 542 2540
FAX: (812) 542 2541

HARWIN PLC
U.K.
TEL: 023 9231 4545
FAX: 023 9231 4590

HARWIN PTE
SINGAPORE
TEL: 65 6779 4909
FAX: 65 6779 3868

SHT
4
OF
4