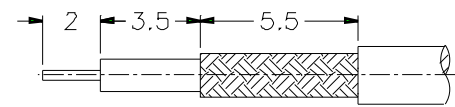
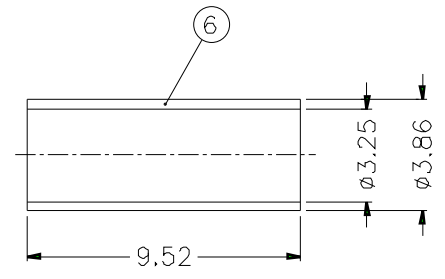
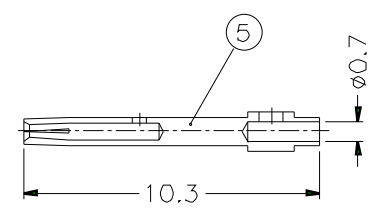
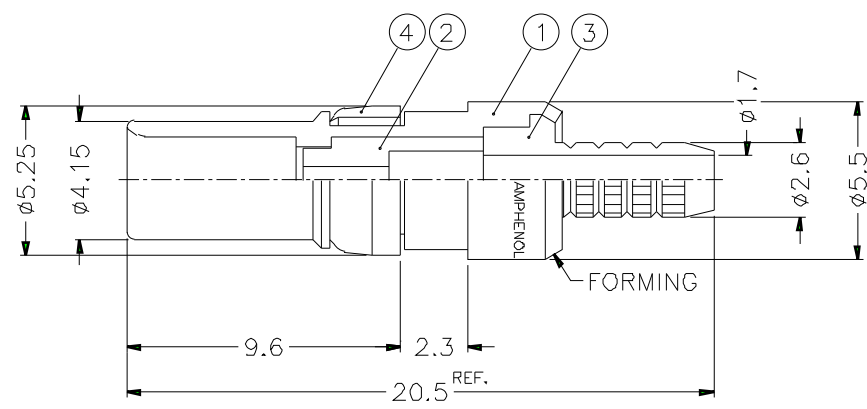


1		2		3		4		5		6		7		8	
REVISIONS															
ISS	ZONE	DESCRIPTION\PER REQUEST\DATE													



RECOMMENDED
CABLE STRIPPING DIM'S



- CABLE: RG 174/U
- RG 179B/U
- KX 3B
- KX 22A
- L910/22
- FERRULE CRIMPING TOOLS P/N
- 227-944 (M22520/5-01)
- 227-1221-03A (M22520/5-03A) HEX: 3.25 L=8.25
- CONNECTOR ACCORDING TO DIN 41 626
- PACKAGING IN BAG WITH COMMERCIAL PART NUMBER AND DATE CODE

DIMENSIONS ARE IN MILLIMETERS										PART NO. 102 514 06		<h1>Amphenol</h1>			
6	FERRULE	COPPER	NICKEL	1		APPROVED		DATE		10-11-01'					
5	CONTACT PIN	BECU	GOLD	1		CHECKED		DATE		10-11-01'		DRAWING NO.			
4	RETAINER RING	BECU	NICKEL	1		DRAWN		DATE		10-11-01'		ITEM NO.			
3	BARREL	BRASS	NICKEL	1		NO.		DESCRIPTION		MATERIAL		FINISH		Q'TY	
2	INSULATOR	TEFLON	NATURAL	1		DRAWING NO.		SCALE		4/1		ISSUE		A	
1	BODY	BRASS	GOLD	1		FILE NO.									