

5050-0025

NOTES:

1. MATING:

Interface dimensions per Mil-C-39012/N Series and Solitron/Microwave MD-109.

2. MATERIALS:

Body: ——— Brass ½H, per QQ-B-626, Alloy 360.

Contact: ——— Beryllium Copper per QQ-C-530, Cond. H, Alloy 173.

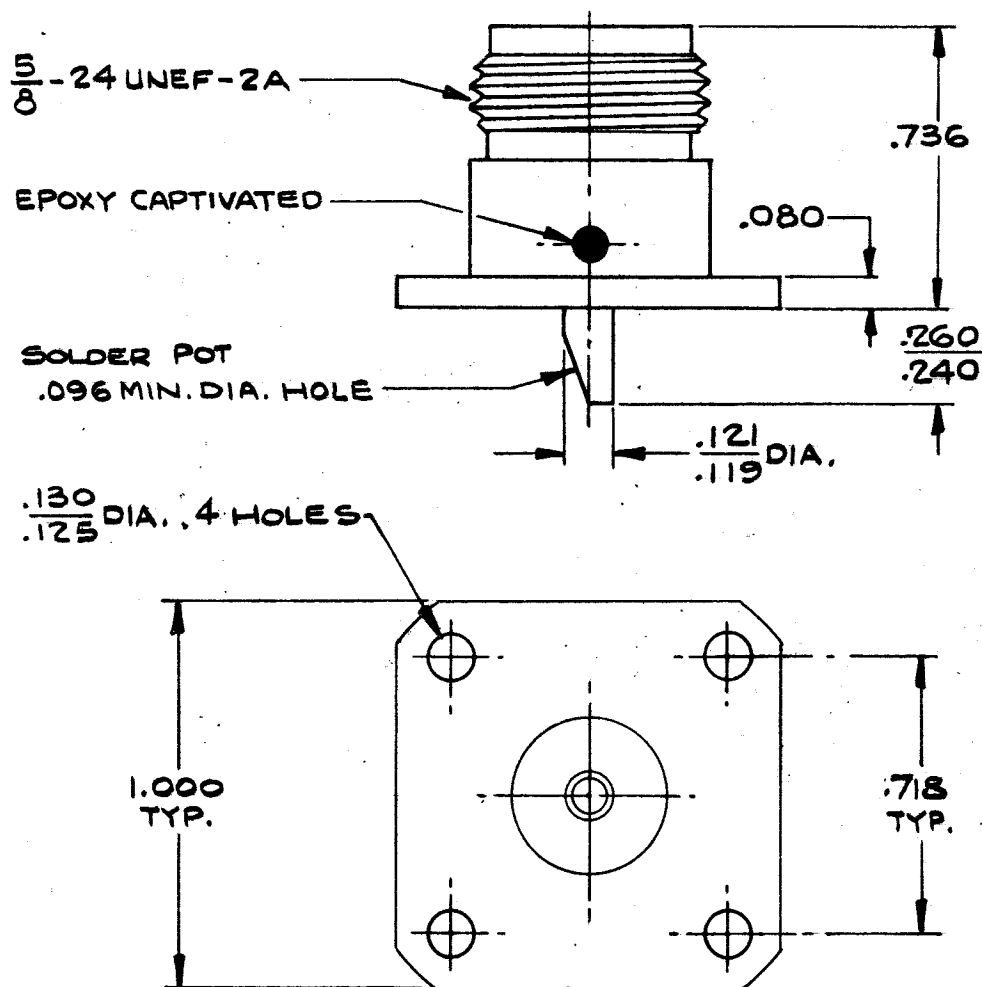
Dielectric: ——— Teflon per Mil-P-19468 and L-P-403, Type I.

3. FINISH:

Body: ——— Nickel per QQ-N-290, Class 2.

Contact: ——— Gold per Mil-G-45204, Type II, Grade C, Class 2; over Copper per Mil-C-14550, Class 4.

4. Contact Epoxy Captivated.



SYM	DESCRIPTION	DATE	APPR.	UNLESS OTHERWISE SPECIFIED 1. REMOVE ALL BURRS 2. BREAK ALL CORNERS & EDGES .005 R MAX. 3. CHAMFER 1ST & LAST THREADS 45° 4. SURFACE ROUGHNESS 63 ✓ MIL-STD-10 5. DIAMETERS ON COMMON CENTERS TO BE CONCENTRIC WITHIN T.I.R. 6. ALL DIMENSIONS ARE AFTER PLATING	SOLITRON/MICROWAVE PORT SALERNO, FLORIDA	REF. ENGINEERING DATA DRAWING
-	REL F 6695	9/78	DGG	DIMENSIONS ARE IN INCHES TOLERANCES DECIMALS FRACTIONAL ANGULAR .X ± .030 X' ± 1'0" .XX ± .015 ± 1/64 X'X' ± 15" .XXX ± .005	MATERIAL	TITLE
					FINISH	TYPE N JACK PANEL MOUNTED RECEPTACLE
				DRAWN R GARVIN DATE 9-14-78	SCALE	DRAWING NO.
				CHECKED	-	5050-0025
				APPROVED DGG DATE 9/14/78	CODE IDENT. NO.	SHEET 1 OF 2
					95077	
					A	

REQUIREMENT	RATING	REQUIREMENT	RATING
Nominal Impedance (ohms)	50	Vibration	MIL-STD-202 method 204 Cond. D (20G's)
Frequency Range (ghz)	DC-12.4		
Voltage Rating (max. vrms)	1000	Shock	MIL-STD-202 method 213 Cond. I (100G's)
Temperature Rating (degrees centigrade)	-65 To +165		
VSWR (max.)	N/A	Temperature Cycling	MIL-STD-202 method 102 - Cond. C (-65 ^o c To +200 ^o c)
Insertion Loss (dB max.)	N/A		
RF Leakage (min. dB down)	60 dB-FGHz	Corrosion	MIL-STD-202 method 101 Cond. B (48 hrs.)
RF High Potential (max. vrms)	2000 AT 5MHZ		
Dielectric Withstanding Voltage (max. vrms)	3000	Moisture Resistance	MIL-STD-202 method 106 less step 7b
Insulation Resistance (min. megohms)	5000		
Contact Resistance Center Contact (max. milliohms)	1.0	Barometric Pressure (Altitude)	MIL-STD-202 method 105 Cond. C (70,000 ft.) (750 vrms)
Outer Contact (max. milliohms)	0.2		
Center Contact Axial Forces Insertion (max. ounces)	24.0	Hermeticity	N/A
Withdrawal (min. ounces)	2.0		
Connector Durability (min. cycles)	500	Captivation Min. Axial Force Min. Radial Torque	10 Lbs. 4 Inch Ounces
Connector Engagement and Disengagement (max. inch lbs.)	6.0		

REMARKS: 1.) RECOMMENDED MATING TORQUE: 35-40 INCH POUNDS.

TITLE TYPE N JACK, RECEPTACLE PANEL MOUNTED	SOLITRON/MICROWAVE PORT SALERNO, FLORIDA	SHEET 2 OF 2	DRAWING NO. 5050-0025	REV. -
---	--	--------------	--------------------------	-----------