

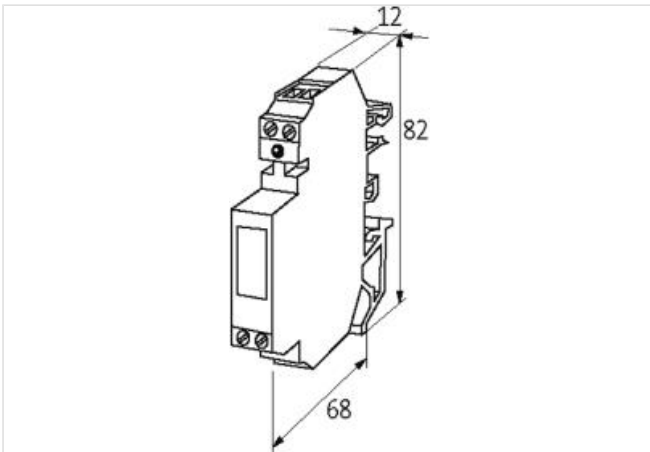
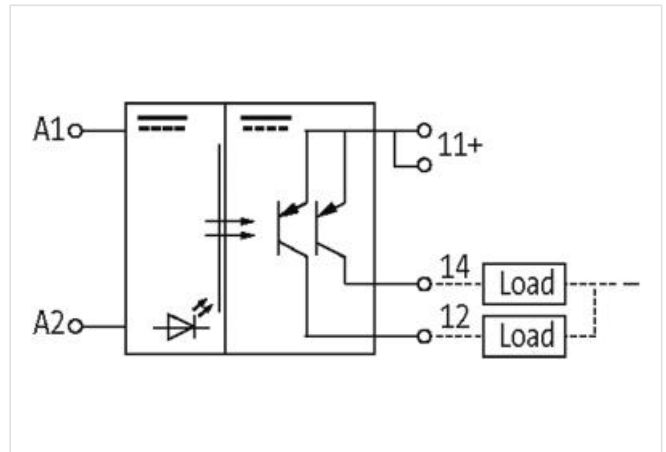
## AMMDU OPTO-COUPLER MODULE

IN: 53 VDC - OUT: 53 VDC / 1 A - 1 C/O contact

Transistor 1 A  
24 V DC  
with minus plug link  
electr. NO/NC contact

### [Link to Product](#)

#### Illustration



Product may differ from Image



#### Commercial data

ECLASS-6.0	27371604
ECLASS-6.1	27371604
ECLASS-7.0	27371604
ECLASS-8.0	27371604
ECLASS-9.0	27371604
ECLASS-10.1	27371604

ECLASS-11.1	27371604
ECLASS-12.0	27371604
ETIM-5.0	EC001504
customs tariff number	85414900
GTIN	4048879027960
Packaging unit	1

**Electrical data | Input**

Input voltage OFF DC min.	0 V
Input voltage OFF DC max.	6 V
Input voltage DC min.	10 V
Input voltage DC max.	53 V
Input current	10 mA

**Electrical data | Output**

Switch off delay max.	75 µs
Quiescent current OFF max.	0,3 mA
Switching frequency inductive max.	10 Hz
Switching frequency ohmic max.	1000 Hz
Voltage switching DC min.	4,5 V
Switching voltage DC max.	53 V
Current switching min.	1 mA
Switching current max.	1 A
Voltage drop DC max.	0,5 V

**Diagnostics**

Status indication LED	red
-----------------------	-----

**Device protection | Electrical**

Rated surge voltage	2,5 kV
---------------------	--------

**Device protection | Media**

Flame resistance	flame retardant
------------------	-----------------

**Mechanical data | Material data**

Color housing	black
Material housing	Plastic

**Mechanical data | Mounting data**

Mounting method	geschnappt
Suitable for mounting type	Mounting rail TH35, G32, (EN 60715)
Height	12 mm
Width	82 mm
Depth	68 mm

**Environmental characteristics | Climatic**

Operating temperature min.	-20 °C
Operating temperature max.	60 °C

**Connection type 3**

Connection type 1	Input
Connection type 2	Input
Connection type 3	Input
Connection	Screw terminals SK
Family construction form	terminal
Gender	female
No. of poles	2
PIN 1	+ A 1
PIN 2	- A 2

Connection	Screw terminals SK
Family construction form	terminal
Gender	female
No. of poles	2
PIN 1	14
Connection	Screw terminals SK
Family construction form	terminal
Gender	female
No. of poles	2
PIN 1	12