
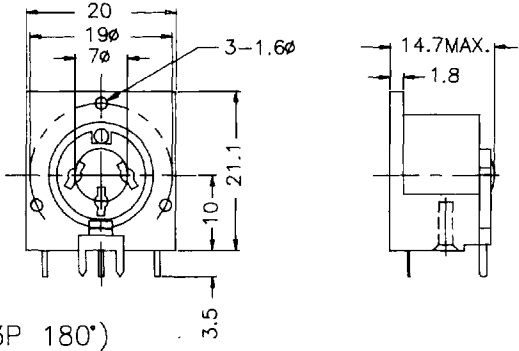
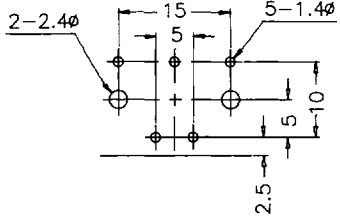
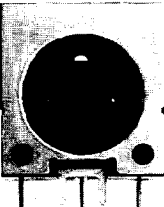
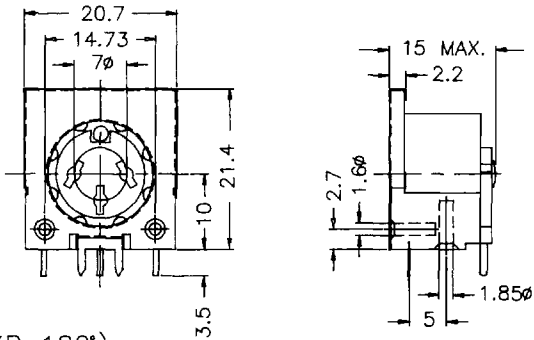
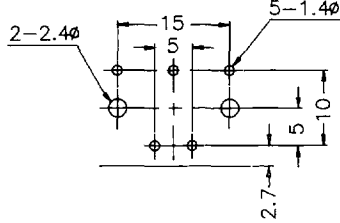

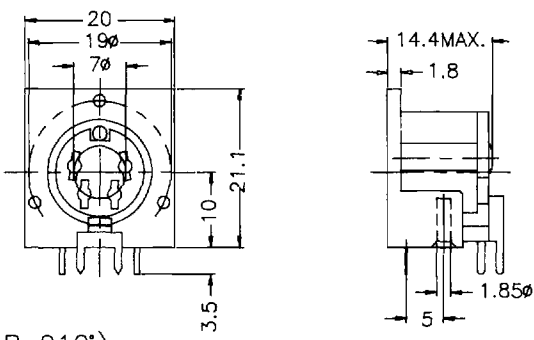
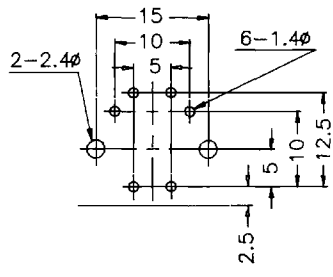
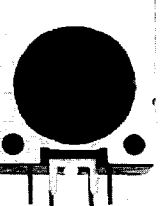
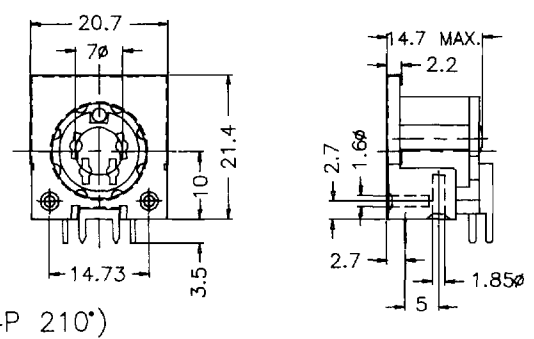
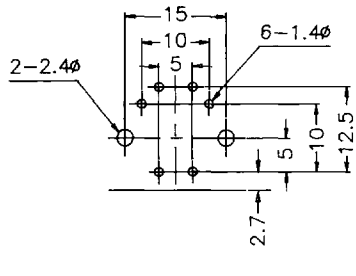


DIN 3P,4P SOCKET

SPECIFICATIONS:

Rating: 2A 100V AC.
 Contact Resistance: 20mΩ Max.
 Insulation Resistance: 100MΩ Min at DC 500V
 Dielectric Strength: AC 500V/1 Minute.

			
MODEL NO	NEW 2DJ-0203P002	(3P 180°)	3.5
	OLD DJ-020-3P		
			 <p>WITH SHIELD</p>
MODEL NO	NEW 2DJ-0203PS02	(3P 180°)	3.5
	OLD DJ-020-3PS		
			
MODEL NO	NEW 2DJ-0224P004	(4P 210°)	3.5
	OLD DJ-022-4P		
			 <p>WITH SHIELD</p>
MODEL NO	NEW 2DJ-0224PS04	(4P 210°)	3.5
	OLD DJ-022-4PS		