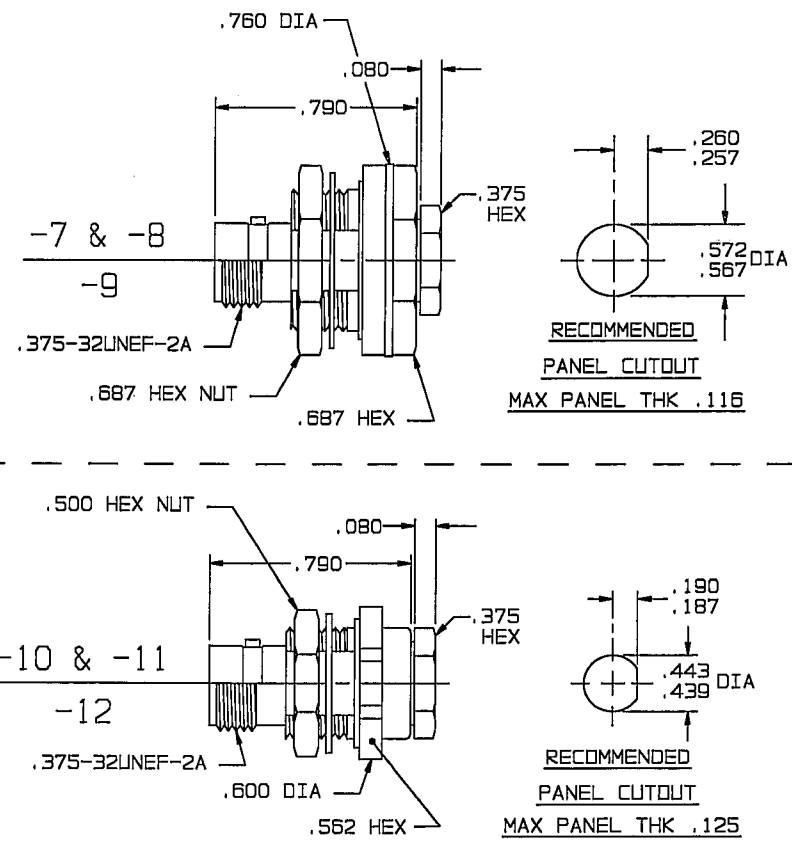
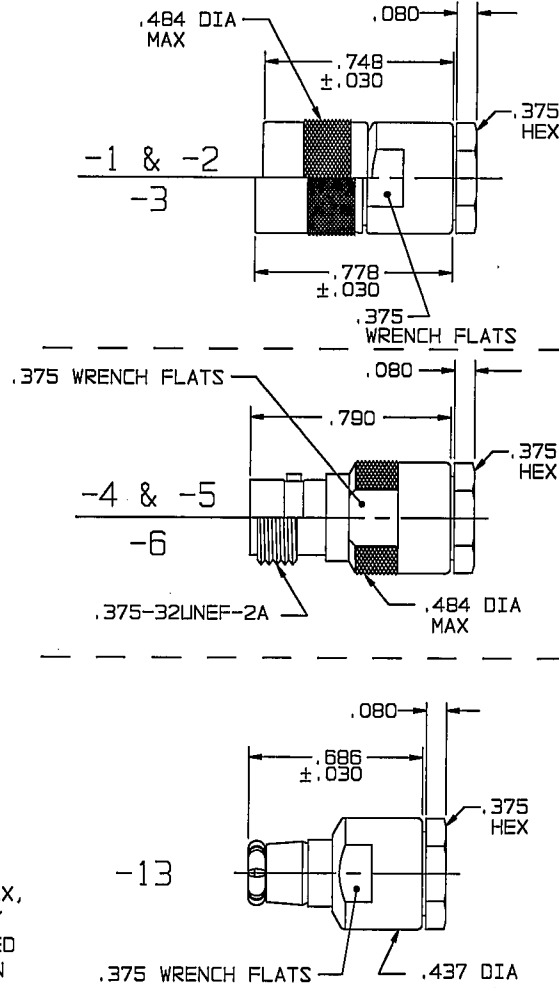


RED INDICATES ORIGINAL

DATA CONTAINED IN THIS DOCUMENT IS PROPRIETARY TO TROMPETER ELECTRONICS INC. AND SHALL NOT BE DISCLOSED, COPIED OR USED FOR PROCUREMENT OR MANUFACTURE WITHOUT EXPRESS WRITTEN PERMISSION.

REVISIONS			305-1257	SH	
REV	ED	DESCRIPTION	DWN	APPROVED	DATE
A		PRODUCTION RELEASE	RL		

DASH NO	CONNECTOR TYPE	MATERIAL	ASSEMBLE PER
-1	PL155	310-0036-23	TAI-127
-2	PL155FL	315-0027-23	
-3	PL3155	310-0047-23	
-4	CJ150	3-0025-23	
-5	CJ150FL	305-0379-23	
-6	CJ3150	3-0044-23	
-7	BJ154	3-0077-23	
-8	BJ154FL	3-0090-23	
-9	BJ3154	3-0092-23	
-10	BJ159	3-0026-23	
-11	BJ159FL	305-0380-23	
-12	BJ3159	3-0050-23	
-13	PL153	310-0041-23	



- ⚠ REPLACE CLAMP NUT 8-1661-23 WITH CLAMP NUT 8-1661-24
- SUBMINIATURE CONCENTRIC TWINAX/TRIAX, 3-LUG, 4-LUG, & THREADED CABLE PLUGS/ RECEPTACLE, INSULATED & NONINSULATED BULKHEAD MOUNT RECEPTACLE & PUSH-ON CABLE PLUG FOR TIMES CABLE NO. RT-316
 - FINISH: TFS-1A (NICKEL)
 - ALL DIM ARE IN INCHES

QTY	DESCRIPTION	PART NUMBER	ITEM		
TOL UNLESS SPECIFIED .XX ± .XXX ± .005 .XXXX ± ANGLES ±		TROMPETER ELECTRONICS, INC. "150" SERIES-RT-316			
DWN	R L 10/19/98			MATERIAL	CODE IDENT
CHK	WM 10-19-98		14949	305-1257	A
ENGR					
APPR	MM 10/20/98	SCALE	DATE 10/21/98	SHEET	

NEXT ASSY