



Home

About Us

Products

Brand Value

News

Recruitment

Contact Us



Please enter U&T part number for

Popular Searches: [UTH20C01](#) [UTH16P05](#) [UTG18T01](#) [UTG96T01](#) [UTT24C01](#)

Products List

100 Base-T

1000 Base-T

2.5/5/10G Base-T

→ 2.5G Base-T

→ 2.5G

→ 2.5G POE

→ 2.5G UPOE

→ 5G Base-T

→ 10G Base-T

Your present location: [Home](#) >> [2.5/5/10G Base-T](#) >> [2.5G Base-T](#) >> [2.5G UPOE](#) >> [UTV96T01U](#)



Name: UTV96T01U

No.: [UTV96T01U](#)

Views : 48



[Browse similar products](#)

Previous [UTV48C01U](#)

Page :

Details



2.5G BASE-T UPoE QUAD PORT MAGNETICS MODULE
P/N: UTV96T01U DATA SHEET

Page : 1/1

Feature

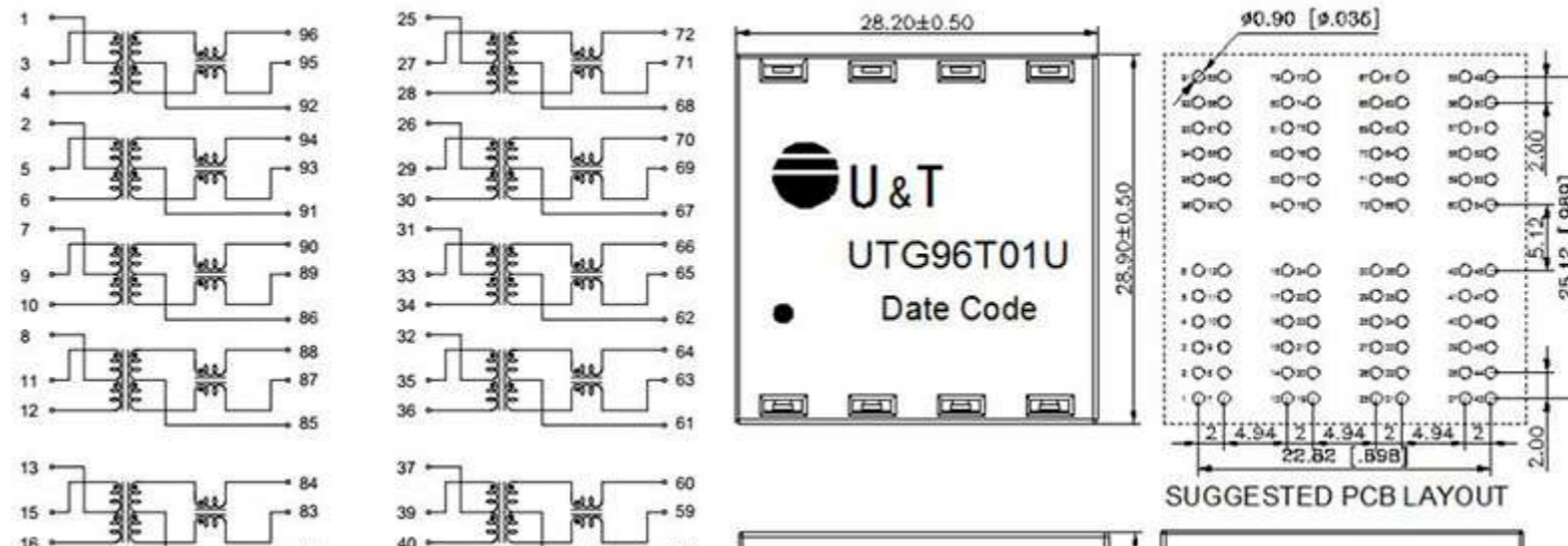
- Suitable for UPoE applications
- Comply with RoHS requirements.
- Operating temperature range: 0°C to +70°C.

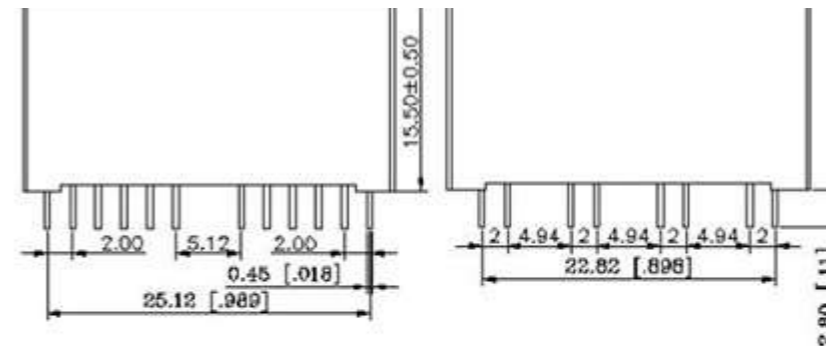
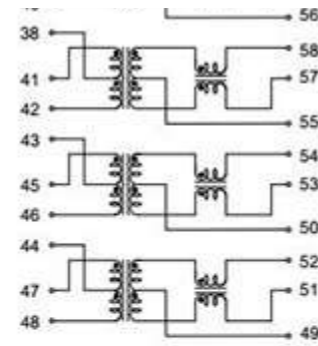
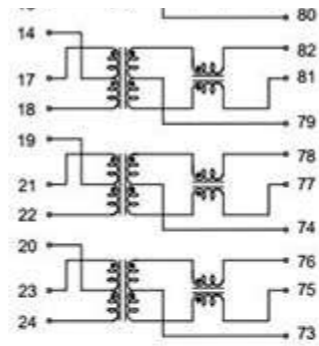
Electrical Specifications @ 25°C

OCL:	180uH Min. @100KHz/0.1V with 8mA DC Bias
Hi-POT :	1500Vrms
Turn Ratio:	1:1±3%
D.C.R:	1.4 ohm Max
Insertion Loss:	1.0dB Max@1-100MHz
	1.5dB Max@125MHz
Cross Talk :	30dB Min@1-125MHz
DM-CM Rejection:	35dB Min@1-125MHz
CM-CM Rejection	30dB Min@1-200MHz
Return Loss:	18dB Min @1-40MHz
	18-15log(f/40MHz)dB Min@40-200MHz

Schematic

Mechanical





Unless otherwise specified, all tolerances are ± 0.25

[Http://www.utlimited.com](http://www.utlimited.com)

E-mail: sales@utlimited.com

Tel: +86-752-2761008

Fax: +86-752-2761009

Key words :

LINK:

U&T HL TECHNOLOGY GROUP LIMITED



ADD: Honglin Industrial Park, Dongjiang Hi-tech Zone, Huicheng District, Huizhou City, Guangdong Province, P.R.C.
 Zip Code: 516000
 TEL: 0752-2761008
 FAX: 0752-2761009
 Email: sales@utlimited.com

About Us

Company Profile
 Development
 Company Culture
 Enterprise Honor

Products

2.5&5&10G Base-T
 100 Base-T
 1000 Base-T

Brand Value

R & D Advantage
 Advantages
 Quality
 Certification

News

Company News
 Industry Information

Recruitment

Positions

Contact

Contact Us
 Map
 Messages